

# VERMEIREN

## V100 XL

INSTRUCTION MANUAL  
MODE D'EMPLOI  
GEBRUIKSAANWIJZING  
GEBRAUCHSANWEISUNG  
ISTRUZIONI PER L'USO  
MANUAL DE INSTRUCCIONES  
INSTRUKCJA OBSŁUGI



## **EN** Instructions to the specialist dealer

This instruction manual is part and parcel of the product and must accompany every product sold.

Version: A, February 2012

All rights reserved, including translation.

No part of this manual may be reproduced in any form whatsoever (print, photocopy, microfilm or any other process) without written permission of the publisher, or processed, duplicated or distributed by using electronic systems.

© N.V. Vermeiren N.V. 2012

## **FR** Instructions pour les distributeurs

Ce manuel d'instructions fait partie du produit et doit accompagner chaque produit vendu.

Version : A, Février 2012

Tous droits réservés, y compris la traduction.

Aucune partie de ce manuel ne peut être reproduite, sous quelque forme que ce soit (imprimée, photocopie, microfilm ou tout autre procédé) sans l'autorisation écrite du publicateur, ni traitée, dupliquée ou distribuée à l'aide de systèmes électroniques.

© N.V. Vermeiren N.V. 2012

## **NL** Instructies voor de vakhandelaar

Deze handleiding is deel van het product en dient bij iedere product te worden geleverd.

Versie: A, februari 2012

Alle rechten, inclusief vertaling, voorbehouden.

Niets uit deze handleiding mag geheel of gedeeltelijk in enige vorm (druk, fotokopie, microfilm of ieder ander procédé) zonder de schriftelijke toelating van de uitgever worden gereproduceerd of met behulp van elektronische systemen worden verwerkt, gekopieerd of verspreid.

© N.V. Vermeiren N.V. 2012

## **DE** Hinweise für den Fachhändler

Diese Gebrauchsanweisung ist Bestandteil des Produkts und ist bei jeder Produkts auszuhändigen.

Version: A, Februar 2012

Alle Rechte, auch an der Übersetzung, vorbehalten.

Kein Teil der Gebrauchsanweisung darf in irgendeiner Form (Druck, Fotokopie, Mikrofilm oder einem anderen Verfahren) ohne schriftliche Genehmigung des Herausgebers reproduziert oder unter Verwendung elektronischer Systeme verarbeitet, vervielfältigt oder verbreitet werden.

© N.V. Vermeiren N.V. 2012

## **IT** Istruzioni per il rivenditore

Il presente Manuale di istruzioni è parte integrante del prodotto e deve essere fornito assieme alla prodotto.

Versione: A, Febbraio 2012

Tutti i diritti riservati (anche sulla traduzione).

Il presente manuale non può essere riprodotto, neppure parzialmente, con alcun mezzo (stampa, fotocopia, microfilm o altro procedimento) senza l'autorizzazione scritta della casa produttrice, né elaborato, duplicato o distribuito con l'ausilio di sistemi elettronici.

© N.V. Vermeiren N.V. 2012

## **ES** Instrucciones destinadas a los distribuidores especializados

El presente manual de instrucciones es parte integrante del producto y se debe adjuntar a todas las producto que se vendan.

Versión: A, febrero 2012

Todos los derechos reservados, incluidos los de la traducción.

Se prohíbe la reproducción total o parcial del presente manual de cualquier forma (impresión, fotocopia, microfilm o cualquier otro procedimiento), así como la edición, copia o distribución empleando sistemas electrónicos, sin el permiso escrito del editor.

© N.V. Vermeiren N.V. 2012

## **PL** Instrukcje dla wyspecjalizowanego sprzedawcy

Niniejsza instrukcja obsługi jest nieodłączną częścią produktu i musi być dołączona do każdego sprzedawanego produktu.

Wersja: A, Lutego 2012

Wszelkie prawa zastrzeżone, łącznie z tłumaczeniem.

Żadna część niniejszej instrukcji nie może być powielana w jakiegokolwiek formie (drukowanej, fotokopii, mikrofilmu ani innej) bez pisemnej zgody wydawcy, nie może być również przetwarzana, kopiowana ani rozprowadzana za pomocą systemów elektronicznych.

© N.V. Vermeiren N.V. 2012

## Contents

<b>Preface</b> .....	<b>2</b>
<b>1 Productdescription</b> .....	<b>3</b>
1.1 Intended Use.....	3
1.2 Technical specifications .....	4
1.3 Drawing.....	5
1.4 Accessories.....	5
1.5 Location identification plate.....	6
1.6 Explanation of symbols.....	6
<b>2 Use</b> .....	<b>6</b>
2.1 Carrying the wheelchair .....	6
2.2 Mounting the rear wheels.....	7
2.3 Unfolding the wheelchair.....	7
2.4 Mounting or removing of push bar .....	7
2.5 Mounting or removing of the footrest.....	8
2.6 Operating the brakes.....	8
2.7 Mounting or removing of arm supports .....	9
2.8 Transfer in and out the wheelchair.....	10
2.9 Correct position in the wheelchair .....	11
2.10 Riding the wheelchair.....	11
2.11 Moving on slopes .....	11
2.12 Negotiating steps or curbs .....	11
2.13 Fold up the wheelchair .....	13
2.14 Taking off the wheels .....	13
2.15 Transport in the car.....	13
<b>3 Installation and adjustment</b> .....	<b>14</b>
3.1 Tools .....	14
3.2 Manner of delivery .....	14
3.3 Adjusting the seat height .....	14
3.4 Adjust the brakes.....	16
3.5 Adjusting of the footrest.....	16
3.6 Adjusting the arm support .....	17
<b>4 Maintenance</b> .....	<b>17</b>
4.1 Regular Maintenance.....	17
4.2 Shipping and storage .....	18
4.3 Care .....	18
4.4 Inspection .....	19
4.5 Disinfection .....	19
<b>5 Guarantee</b> .....	<b>21</b>
<b>6 Disposal</b> .....	<b>21</b>
<b>7 Declaration of conformity</b> .....	<b>21</b>
<b>8 Maintenance plan</b> .....	<b>22</b>
<b>9 Disinfection book</b> .....	<b>22</b>



---

## Preface

First of all we want to thank you for putting your trust in us by selecting one of our wheelchairs.

The Vermeiren wheelchairs are the result of many years of research and experience. During the development, special attention was given to the ease of use and the serviceability of the wheelchair.

The expected lifetime of 8 years for your wheelchair is strongly influenced by the care and maintenance of the wheelchair.

This manual will help you get acquainted with the operation of your wheelchair.

Following the user instructions and the maintenance instructions are an essential part of the warranty.

This manual reflects the latest product developments. Vermeiren has the right to introduce changes without the obligation to adapt or replace previously delivered models.

For any further questions, please consult your specialist dealer.

# 1 Productdescription

## 1.1 *Intended Use*

The wheelchair is intended for people with walking difficulties or no walking abilities.

The wheelchair is designed to transport 1 person.

The wheelchair is suited for indoor and outdoor use.

The user can propel the wheelchair by himself or have the wheelchair pushed by an attendant.

The different types of fittings and accessories, and the modular construction allow full use by persons disabled by:

- paralysis
- loss of limbs (leg amputation)
- limb defects or deformations
- stiff or damaged joints
- heart insufficiencies and poor blood circulation
- balance disturbances
- cachexia (decrease in muscle)
- and also for aged persons.

When providing for individual requirements:

- body size and weight (max. 170kg)
- physical and psychological condition
- residential circumstances
- environment

should be taken into consideration.

Your wheelchair should only be used on surfaces where all four wheels are touching the ground and where there is sufficient contact to propel the wheels equally.

You should practice for use on uneven surfaces (cobblestones, etc.), slopes, curves and to get past obstacles (curbs, etc.).

The wheelchair should not be used as a ladder, nor is it a transport for heavy or hot objects.

When used on mats, carpeted floors or loose floor coverings, the floor covering can get damaged.

Use only Vermeiren approved accessories.

The manufacturer is not liable for damage caused by the lack of or improper service or as a result of not following instructions from this manual.

Compliance with the user and maintenance instructions are an essential part of the guarantee conditions.



## 1.2 Technical specifications

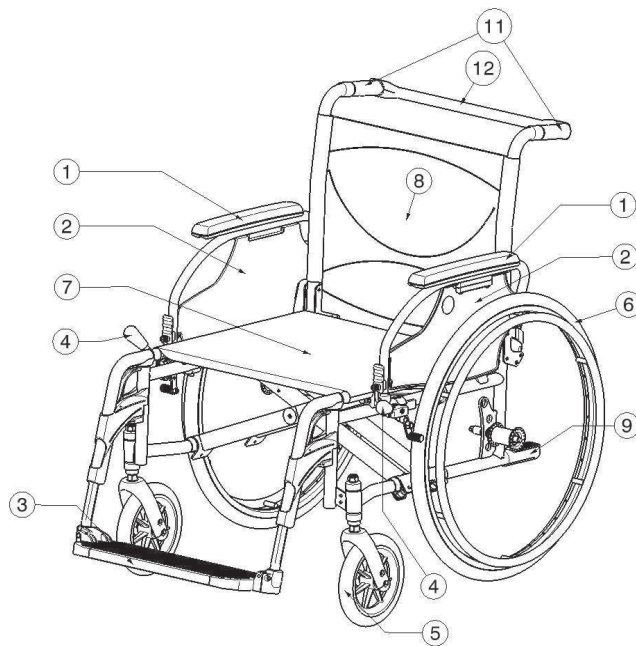
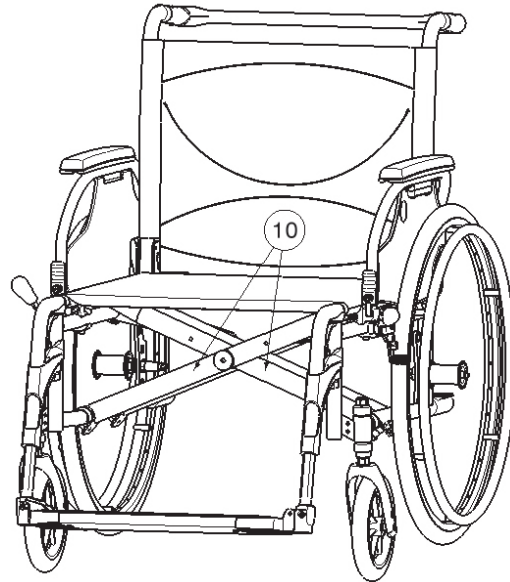
Technical terms below are valid for the wheelchair in standard settings.  
If other footrest / arm support or other accessories are used, the tabulated values will change.

<b>Make</b>	Vermeiren		
<b>Address</b>	Vermeirenplein 1/15, B-2920 Kalmthout		
<b>Type</b>	Manual wheelchair		
<b>Model</b>	V100 XL		
<b>Maximum occupant mass</b>	170 kg		
<b>Description</b>	<b>Dimensions</b>		
Effective seat width	530 mm	560 mm	600 mm
Overall width (depends on the seat width)	740 mm	770 mm	810 mm
<b>Description</b>	<b>Dimensions Min.</b>	<b>Dimensions Max.</b>	
Overall length with legrest	1060 mm		
Folded length	1060 mm		
Folded width	375 mm		
Folded height	890 mm	950 mm	
Total mass	21,4 kg		
Mass of heaviest part	13,7 kg		
Masses of parts that can be dismantled or removed	<b>Foot supports: 1,75 kg;</b> <b>Arm supports: 1,80 kg; Rear wheels: 4,05 kg</b>		
Static stability downhill	7°		
Static stability uphill	9°		
Static stability sideways	18°		
Obstacle climbing	60 mm		
Seat plane angle	5°		
Effective seat depth	490 mm		
Seat surface height at front edge	470 mm	530 mm	
Backrest angle	5°		
Backrest height	380 mm		
Distance between footrest and seat	450 mm		
Angle between seat and footrest	10°		
Distance between armrest and seat	220 mm	240 mm	
Front location of armrest structure	410 mm		
Handrim diameter	535 mm		
Horizontal location of axle (deflection)	20 mm		
Minimum turning radius	1616 mm		
Diameter Krypton PU Rear wheels	22"	24"	
Tyre pressure, rear (driving) wheels (only for pneumatic tyres)	Max. 3.5 bar		
Diameter Krypton PU steering wheels	200 mm		
Tyre pressure, steering wheels (only for pneumatic tyres)	Max. 2.5 bar		
Storage and use temperature	+ 5 °C	+ 41 °C	
Storage and use humidity	30%	70%	
We reserve the right to introduce technical changes. Measurement tolerance ± 15 mm / 1,5 kg / °			

Table 1: Technical specifications

The wheelchair complies to the requirements set up in:  
 ISO 7176-8: Requirements and test methods for static, impact and fatigue strengths.  
 ISO 7176-16: Resistance to ignition of upholstered parts

### 1.3 Drawing



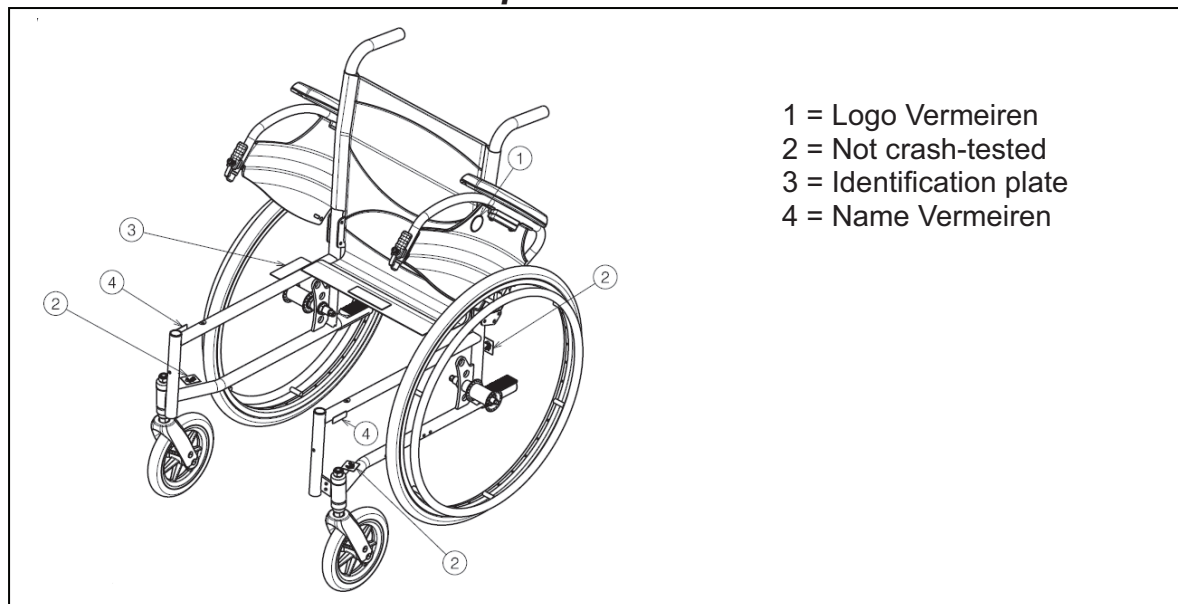
- 1 = Armrests
- 2 = Arm supports
- 3 = Footplate
- 4 = Brakes
- 5 = Steering wheels (front wheels)
- 6 = Driving wheels (rear wheels)
- 7 = Seat
- 8 = Back
- 9 = Tip cap
- 10 = Cross
- 11 = Handles
- 12 = Push bar

### 1.4 Accessories

The following accessories are available for the V100 XL:

- Anterior pelvic belt (B20) for mounting on the tubes of the back (see according manual)
- Anti-tipping device (B78) for mounting on the bottom frame (see according manual)

## 1.5 Location identification plate



## 1.6 Explanation of symbols



Maximum mass



Indoor and outdoor use



Down slope



Up slope



CE conformity



Not crash-tested

## 2 Use

This chapter describes the everyday use. **These instructions are for the user and the specialist dealer.**

The wheelchair is delivered fully assembled by your specialist dealer. The instructions intended for the specialist dealer on how to set up the wheelchair are given in § 3.

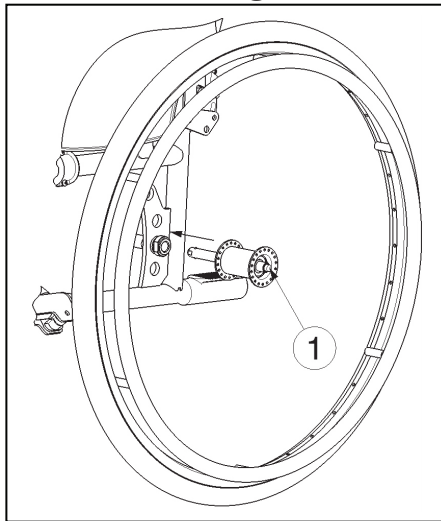
### 2.1 Carrying the wheelchair

The best way to carry the wheelchair is to make use of the wheels and roll the wheelchair.

If this is not possible (e.g. when the rear wheels are taken off for transportation in a car), firmly grasp the frame on the front and the grips. Do not use the foot or arm rests or the wheels to grasp the wheelchair.



## 2.2 Mounting the rear wheels



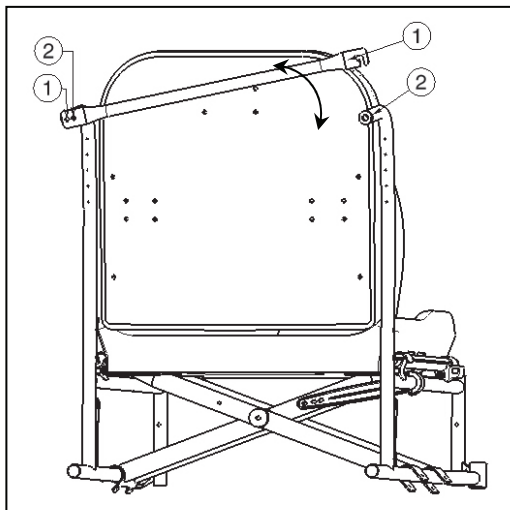
1. Take the rear wheel and push on button ①.
2. Keep the button pushed in and mount the rear wheels axle till it stops.
3. Release the button.
4. Check that the wheels is secured.

## 2.3 Unfolding the wheelchair

**⚠ CAUTION: Risk of clamping – Keep fingers away from moving parts of the wheelchair.**

1. Position yourself behind the wheelchair.
2. Use the hand-grips to open the wheelchair as much as possible.
3. Position yourself at the front of the wheelchair.
4. Push both seating tubes down till they are fixed in their position.
5. Mount the push bar to the right hand-grip (standing behind the wheelchair)

## 2.4 Mounting or removing of push bar



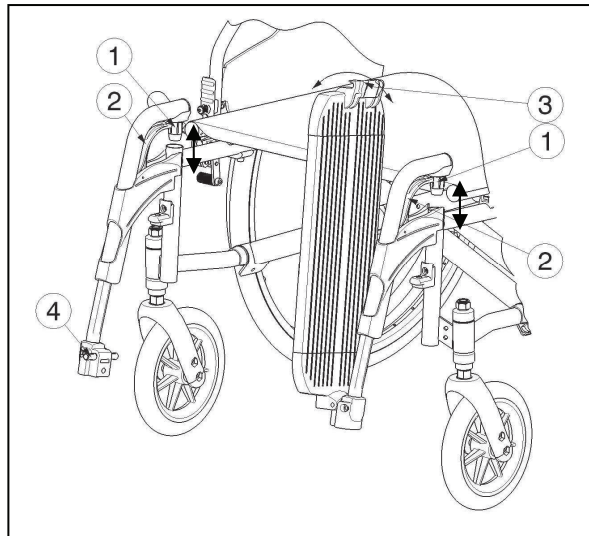
The mounting of the push bar is done as follows:

1. Mount the push bar with the starknob in the left hand-grip.
2. Swing the push bar to the right.
3. Mount clip ① over the right hand-grip ②.  
When this is difficult it is possible the push bar is too long. Place the push bar on the left-hand-grip with the starknob in hole ②.

To take off the Push bar:

1. Loosen the starknob on the right hand-grip.
2. Remove clip ① from the right hand-grip ②.

## 2.5 Mounting or removing of the footrest



The mounting of the footrest is done as follows:

1. Hold the footrest sideways at the outside of the wheelchairs frame and mount the tube hood ① into the frame.
2. Swing the footrest inwards till it clicks in position.
3. Swing the foot plate downwards until the clip ③ lock over pen ④

To take off the footrests:

1. Make clip ③ loose from pen ④.
2. Swing the footplate upwards.
3. Pull handle ②.
4. Swing the footrest to the outside of the wheelchair till it comes loose from the guidance.
5. Pull the footrest from tube hood ①.

## 2.6 Operating the brakes

- ⚠ **WARNING:** The brakes are not used to slow down the wheelchair during movements – Use the brake only to prevent the wheelchair from unintended movements.
- ⚠ **WARNING:** Good operation of the brakes is influenced by wear and contamination of the tires (water, oil, mud, ...) – Check the condition of the tires before each use.
- ⚠ **WARNING:** The brakes are adjustable and can wear – Check the operation of the brakes before each use.

To apply the brakes:

1. Push the brake handles forward till you feel a distinctive click.

- ⚠ **CAUTION:** Risk of unintended movement – Make sure the wheelchair is on a flat horizontal surface before releasing the brakes. Never release both brakes simultaneously.

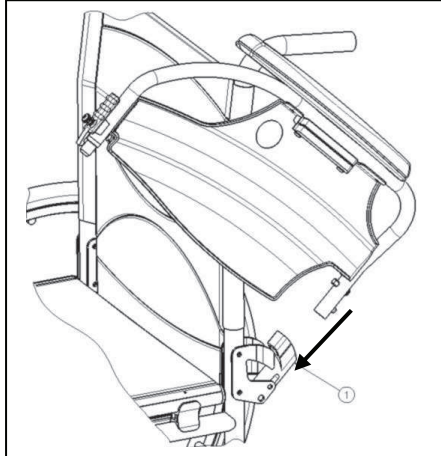
To release the brakes:

1. Release one brake by pulling the handle backwards.
2. Hold the hand-rim of the release wheel with your hand.
3. Release the second brake by pulling the handle backwards.

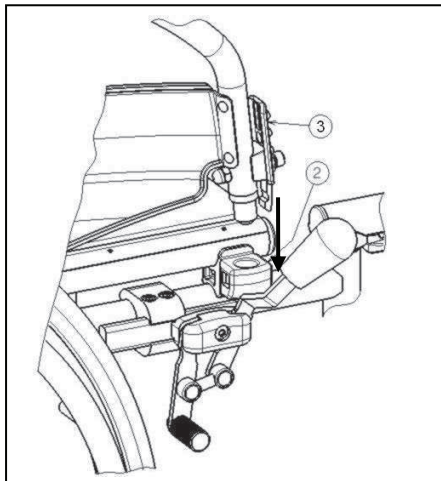
## 2.7 Mounting or removing of arm supports

The arm supports of the wheelchair can be mounted by following instructions.

**⚠ CAUTION: Risk of clamping – Keep fingers, buckles and clothes away from the bottom side of the arm support.**

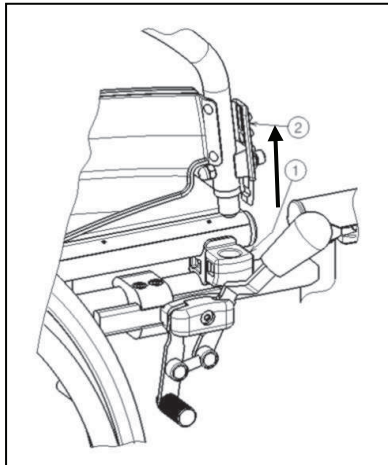


1. Mount the rear tube of the arm rest in tube hood ①.
2. Make sure the arm support clicks in the locking mechanism.
3. Fold the arm rest forward.



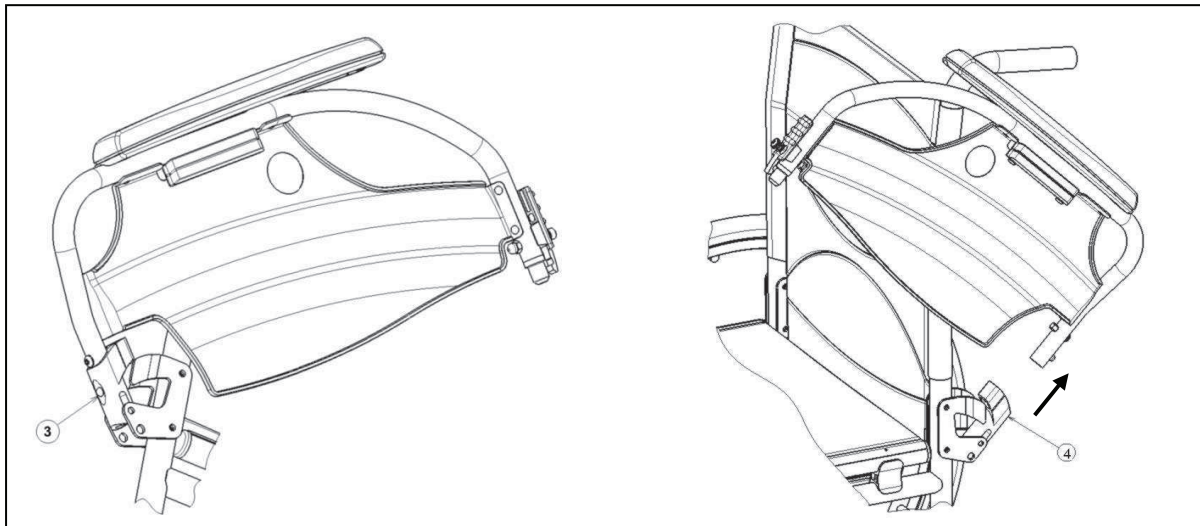
4. Click the front tube of the arm rest in tube hood ②.

To open and remove the arm rest:



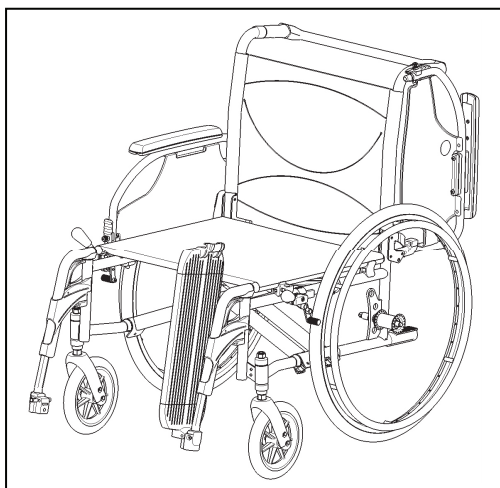
1. Press lever ② and pull the front of the arm rest upwards.
2. Fold the arm rest backwards.

3. To remove the arm rest, press button ③ and pull the rear of the arm support from tube hood ④.



## 2.8 Transfer in and out the wheelchair

- ⚠ **CAUTION:** In case you cannot perform the transfer in a safe manner, ask someone to assist you.
- ⚠ **CAUTION:** Risk of tipping over of the wheelchair – Do not stand on the foot plate.



1. Position the wheelchair as close as possible to the chair, couch or bed to/from you wish to transfer.
2. Check both brakes from the wheelchair are in the on position.
3. Fold the foot plate upwards to prevent standing on them.
4. If the transfer is on the side of the wheelchair, fold the arm support on that side upwards. (see § 2.7)
5. Transfer to/from the wheelchair.

## 2.9 Correct position in the wheelchair

Some recommendations for a comfortable use of the wheelchair:

- Position your backside as close as possible to the back rest.
- Make sure your upper legs are horizontal – If needed adjust the length of the foot rests. (see § 3.5)

## 2.10 Riding the wheelchair

- ⚠ **WARNING: Risk of clamping – Prevent your fingers from being caught by the wheels spokes.**
  - ⚠ **WARNING: Risk of clamping – Be careful passing through restricted passages (e.g. doors).**
  - ⚠ **WARNING: Risk of burns – Be careful when driving in hot or cold environments (sunshine, extreme cold, saunas, etc.) for a sufficient amount of time and when touching - Surfaces can assume the environment temperatures.**
1. Release the brakes.
  2. Take both hand rims at their highest position.
  3. Lean forward and push the hand rims forward until straight arms.
  4. Swing your arms loosely back to the hand rims topside and repeat the movement.

## 2.11 Moving on slopes

- ⚠ **WARNING: Control your speed – Moving on slopes as slow as possible.**
- ⚠ **WARNING: Consider the capacities of your attendant – If your attendant does not have enough force to control the wheelchair, put on the brakes.**
- ⚠ **WARNING: Risk of tipping over – Lean forward to move your centre of gravity forward. To improve a better stability.**



1. If available on the wheelchair, wear the safety belt.
2. Do not attempt moving on too high slopes. The maximum slope angles (upwards and downwards) are mentioned in table 1.
3. Ask an attendant to help you moving on the slope.
4. Lean forward to move your centre of gravity forward.

## 2.12 Negotiating steps or curbs

### 2.12.1 Getting down steps or curbs

Riding down low curbs can be done moving forwards. Make sure that the foot rests do not touch the ground.



- A practiced user can negotiate small steps or curbs by himself:
- ⚠ **WARNING: Risk of tipping over – If you do not have enough experience with your wheelchair, ask assistance of an attendant.**
1. Bring balance on the rear wheels to reduce the pressure on the front wheels.
  2. Negotiate the curbs.

Higher curbs can be taken forward with an attendant:

1. Ask the attendant to tip the wheelchair slightly backwards.
2. Get past the curbs while moving on the rear wheels.
3. Put the wheelchair back on the four wheels.



An experienced user can negotiate higher curbs by himself. This is best done backwards.

1. Turn the wheelchair to have the rear wheels facing the curb.
2. Lean forward to move your centre of gravity forward.
3. Move the wheelchair close to the curbs.
4. Use the hand rim to roll-off wheelchair from the curb in a controlled manner.

## 2.12.2 Moving up steps or curbs

Moving up steps or curbs with attendant as follows:



1. Prevent the foot rests from touching the curb.
2. Ask the attendant to tip the wheelchair backwards, just enough to move the front wheels over the curb.
3. Lean backwards to move your centre of gravity above the rear wheel.
4. Place the front wheels on the curb.
5. Roll rear wheels of the wheelchair over the curb.

Higher curbs are negotiated backwards:

1. Turn the wheelchair to have the rear wheels facing the curb.
2. Lean backwards and move your centre of gravity above the rear wheels.
3. Ask the attendant to pull the wheelchair on the curb.
4. Take back the normal position in the wheelchair.

An experienced user can negotiate curbs by himself:

**⚠ WARNING: Risk of tipping over – If you have not enough experience to control the wheelchair, get help from an attendant.**



1. Drive until the curbs.
2. Ensure that the footrest don't touch the curbs.
3. Lean backwards so you are balancing on the rear wheels.



4. Role the front wheels balancing over the curbs.
5. Bend forwards for more stability.
6. Role the rear wheels over the curbs.



### 2.12.3 Taking of stairs

Taking of stairs while you staying in the wheelchair shall be according following rules:

**⚠ WARNING: Risk of tipping over – Taking of stairs shall always with 2 attendants.**

1. Remove the footrests.
2. One attendant tip the wheelchair slightly backwards.
3. The second attendant take the front of the frame.
4. Stay calm, avoid sudden movements and keep your arms inside the wheelchair.
5. Take the steps on the rear wheels of the wheelchair.
6. Mounting the footrests back after taking the stair.

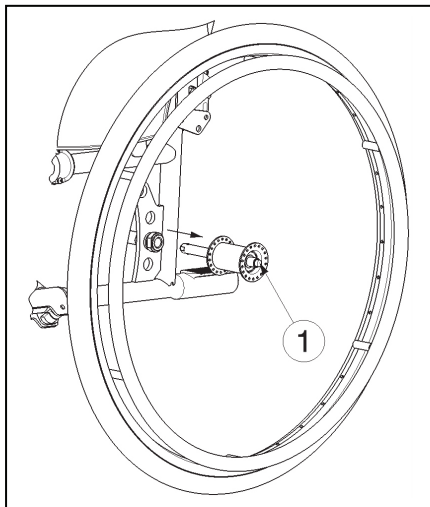
### 2.13 Fold up the wheelchair

**⚠ CAUTION: Chance of pinching – Do not place fingers between the components of the wheelchair.**

1. Fold or remove the footplates (see § 2.5).
2. Swing the push bar away from the right hand-grip (standing behind the wheelchair).
3. Take the seat on the front side and backside and pull it up.

### 2.14 Taking off the wheels

To facilitate the transport off the wheelchair the rear wheels can be taken off:



1. Make sure the brakes standing in the off position.
2. Take the wheelchair to the side frame where you want to remove the wheel.
3. Press the button ① in the center of the wheel hub.
4. Pull the wheel away from the frame.

### 2.15 Transport in the car

**⚠ DANGER: Risk of injury – The wheelchair is not suited for use as a seat in a motor vehicle.**

**⚠ WARNING: Risk of injury – See that the wheelchair is attached properly. So you can avoid injury from the passengers during collision or sudden braking.**

**⚠ WARNING: Risk of injury – Use for attaching the wheelchair and passenger NEVER the same seatbelt.**

Never use your wheelchair as a seat in an automobile or other vehicle. The wheelchair shall be marked with following symbol.





To transport the wheelchair in the car use following steps:

1. Remove footrests and accessories.
2. Store footrests and accessories safely.
3. If possible, fold the wheelchair and remove the wheels.
4. Place the wheelchair in the luggage place.
5. If the wheelchair and the passenger compartment is NOT separated, attach the frame of the wheelchair securely to the vehicle. You can use the available safety belts in the vehicle.

### 3 Installation and adjustment

The instructions in this chapter are for the specialist dealer.

The Vermeiren V100 XL has been designed to be adjust with a minimum of replacements parts. There is no need for extra stock of spare parts.

To find a service facility or specialist dealer near you, contact the nearest Vermeiren facility. A list of Vermeiren facilities can be found on the last page.

**⚠ WARNING: Risk of unsafe settings - Use only the settings described in this manual.**

**⚠ WARNING: Variation of allowed adjustments can still change the stability of your wheelchair (tilt back or sideways).**

#### 3.1 Tools

To set up the wheelchair the following tools are needed.

- Wrench set n°7 to n°22
- Allen key set n°3 to n°8
- Screwdriver n°4 to n°5
- Screwdriver Phillips head

#### 3.2 Manner of delivery

The Vermeiren V100 XL shall be delivered with:

- 1 frame with arm supports, rear and front wheels (seat height of 500 mm)
- 1 pair footrests
- Tools
- Manual
- Accessories

#### 3.3 Adjusting the seat height

The Vermeiren V100 XL is adjustable in 3 seat heights by changing the wheels position. At each height there is a different setting of the front and rear wheels.

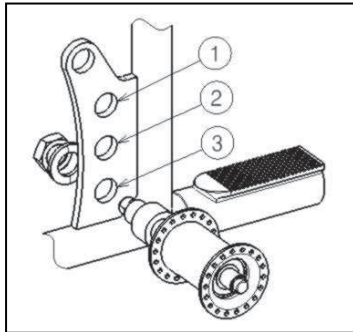
**⚠ WARNING: The top hole of the axle plate is not intended for mounting the rear axle - This hole is for mounting the drum brake.**

Seat height	Rear wheel	Front wheel
470 mm	Hole 1	Both bushings above the castor stem housing
500 mm (Standard)	Hole 2	One bushings above, and one under the castor stem housing
530 mm	Hole 3	Both bushings under the castor stem housing

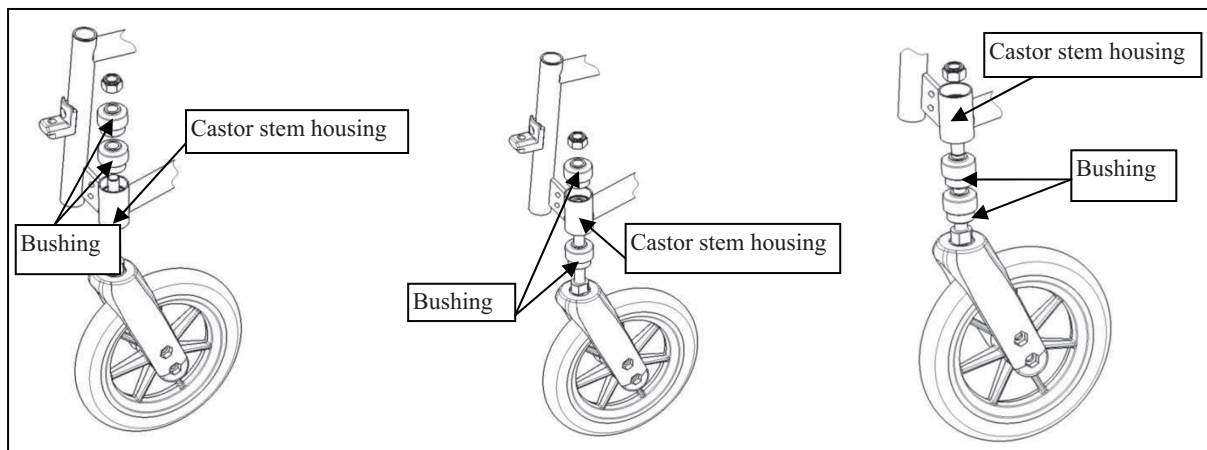
Table 2: Seat heights



Change the seat height according the following steps:



1. Remove the rear wheels (see § 2.14).
2. Screw the axle bushings of the rear wheels from the axle plate.
3. Assemble the axle bushings in the right hole of the axle plate, see Table 2.
4. Check if the axle bushings are fastened well.

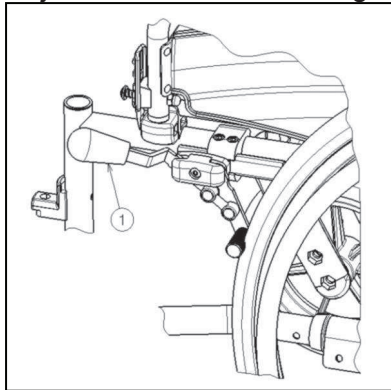


5. Screw the swivel axles of the front wheels loose.
6. Place the bushings according table 2.
7. Install the swivel axles of the front wheels and tighten them. Check the tension in the swivel axle so it turn smoothly, but there is no space for motion.
8. Mount the rear wheels.
9. If installed properly the swivel axles of the front wheels and the ground must be perpendicular. Check this.
10. Adjust the brakes according § 3.4.

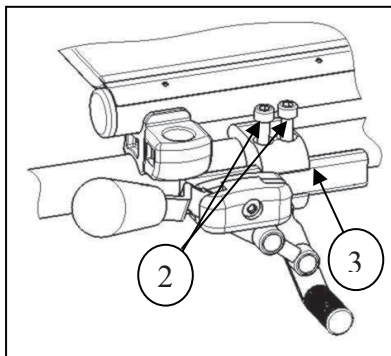
### 3.4 Adjust the brakes

**⚠ WARNING: Risk of injury – Brakes may only be adjusted by your specialist dealer.**

Adjust the brakes according following rules:



1. Install the wheels according § 2.2.
2. Disconnect the brakes by pulling lever ① backwards.

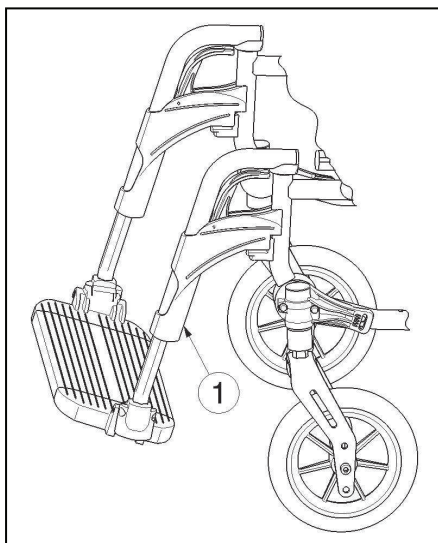


3. Loosen the bolts ② so the brake mechanism can slide over the guide ③.
4. Pull the brake mechanism over the guide ③ to the desired position.
5. Retighten the bolts ②.
6. Check working of the brakes.
7. If necessary repeat the above steps until the brakes are adjusted well.

### 3.5 Adjusting of the footrest

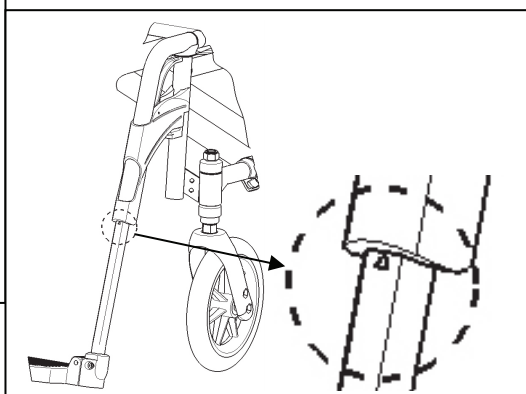
#### 3.5.1 Length of the footrest

**⚠ CAUTION: Risk of damage – Avoid that the footrest make any contact with the ground. Keep a minimum distance from 60 mm above the ground.**



Adjust the length of the footrest as follow:

1. Remove the screw ① (on the back of the footrest).
2. Adjust the length of the footrest to a comfortable length.
3. Tighten the screw ① properly.



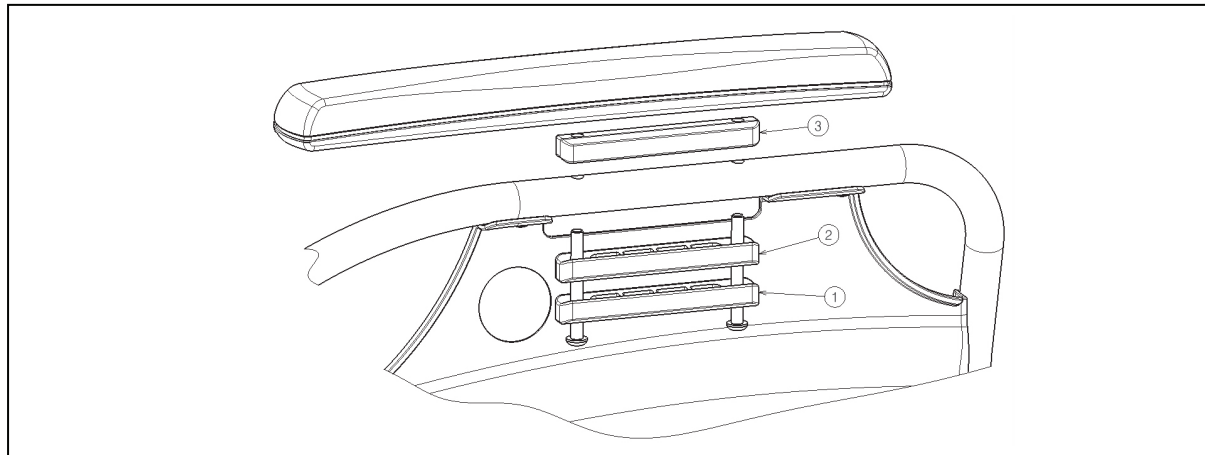
**The max adjustable length of the footrest shall be marked with a triangle on the tube.**

### 3.6 Adjusting the arm support

The arm support of your wheelchair can be adjustable in height and depth. The height of the arm support can be adjusted in 3 positions.

Height armsupport to seat	Number of the blocks under the tube	Number of blocks between tube and armrests
220 mm (Standard)	2	1
230 mm	1	2
240 mm	0	3

Table 3: Height of arm support



The depth of the armrest can be adjusted in 3 positions.

Depth of the armrest	Used holes
Front position	Back and middle
Middle position (Standard)	Hole 2 and 4
Back position	Front and middle

Table 4: Depth of armrest

Adjust the height and the depth of the armrest as follow:

1. Remove both screws under the armrest.
2. Place the correct number of blocks under and above the tubes, see table 4.
3. Install the armrest with the required holes for depth adjustment.

## 4 Maintenance

The expected lifetime of this wheelchair amounts 8 years. Lifetime of the wheelchair is influenced by its use, storage, regular maintenance, servicing and cleaning.

### 4.1 Regular Maintenance

The maintenance activities to ensure a good condition for your Vermeiren wheelchair are described below:

- Before every ride
  - Check the tyres and make them clean. If necessary change the tire.
  - Check screw fastenings are secured.
  - Check the brakes and adjusted if necessary.
  - Check the wheelchair (cleanliness, cracks, damage on structural parts ... ) and make it clean. If necessary change the coating.
- Every 8 weeks: inspected and lubricating or adjusting from
  - Arm supports



- Footrests
- Brake lever
- Wheel axles
- Every 6 months or for every new user
  - General review
  - Disinfection
  - Frontwheels, possibly clean bearings

For your convenience, on the back of this manual is a maintenance plan.

Repairing and assembling of spare parts for your wheelchair may only be performed by the specialist dealer.

Only authorized Vermeiren spare parts may be installed.

## **4.2 Shipping and storage**

The shipping and storage of the wheelchair shall be according following instructions:

- Store in a dry place (between +5 °C and +41 °C).
- The relative humidity of the air should be between 30% and 70%.
- Provide sufficient covering or packaging to protect the wheelchair from rust and foreign bodies. (e.g. salt water, sea air, sand, dust).
- Store all removed parts together in one place (or mark them if necessary) to avoid mixing up with other products when re-assembling.
- Components must be stored without being subjected to strains (Do not put too heavy parts on the wheelchair, not clamping between something, ...).

## **4.3 Care**

### **4.3.1 Seat and back cushions**

The cleaning of the seat and back cushions shall be according:

- Clean seat and back cushions with a cloth moistened with hot water. Be aware that you do not soak the seat and back cushions.
- Use a mild commercial detergent for removing stubborn dirt.
- Stains can be removed by using a sponge or a soft brush.
- Do not use strong cleaning liquids like solvents, nor use hard brushes.
- Never clean with steam and/or pressure washers.

### **4.3.2 Plastic parts**

Clean plastic parts of your wheelchair with commercial plastic cleaners. Only use a soft brush or soft sponge.

Examples of plastic parts are the armrests, footrests, handles, tyres and ... .

### **4.3.3 Coating**

The high quality of the surface layer guarantees optimal protection against corrosion. If the outer coat is damaged by scratching or in some other way, get your specialist dealer to repair the affected surface.

When cleaning, only use warm water and normal household detergents and soft brushes and cloths. Ensure that no wetness gets into the tubes.

Initially the zinc parts only require rubbing with a dry cloth. Stubborn dirt can best be removed by using a suitable commercial zinc polish.

## 4.4 Inspection

In principle we recommend one inspection every year, and a minimum of one before usage is resumed. All of the following checks must be performed and documented by authorized persons:

- Check the frame parts and the hinged tubes for plastic deformation, cracks and impaired functioning.
- Visually check for damage to the paintwork (danger of corrosion)
- Check the operation of the wheels (free running, level rolling, axle play, tyres, profile, condition of the rims, air pressure in the case of air tyres, floating axles, etc.)
- Check the solidity and seating of all screws.
- Verify the amount of grease on the metal joints of movable parts
- The condition and security of the guides and axles of the steering wheels
- Visually check all plastic parts for cracks and brittle spots
- Check the functioning of the armrests and leg supports (locking, load, deformation, wear caused by loads).
- Check the operation of other detachable parts (example: anti-tipping device, personal safety belt, fitting back/seat, etc.)
- Completeness of the delivery condition, instruction manual available?

The service must only be signed off in the maintenance plan if a minimum of all the above-mentioned aspects have been checked.

## 4.5 Disinfection

**⚠ WARNING: Dangerous Products - The use of disinfectants is restricted to authorized personnel.**

**⚠ WARNING: Dangerous Products, change on irritate your skin - You should wear suitable protective clothing because the disinfectants could irritate your skin. For this purpose you should also take note of the product information of the solutions concerned.**

All parts of the wheelchair can be treated by scrubbing with a disinfectant.

All steps taken to disinfect rehabilitation equipment, their components or other accessory parts are to be recorded in a disinfection report containing a minimum of the following information (with product documentation appended):

Date of the disinfection	Reason	Specification	Substance and concentration	Signature
--------------------------	--------	---------------	-----------------------------	-----------

*Table 5: Example of a disinfection book*

Abbreviations used in column 2 (reason):

**V = Suspected infection IF = Infection case W = Repetition I = Inspection**

For a blank sheet of a disinfection book see § 9.

The recommended disinfectants for scrubbing (based on the list provided by the Robert Koch Institute, RKI) are standing in the table below. The current state of the disinfectants included in the RKI list can be obtained from the Robert Koch Institute (RKI) (homepage: [www.rki.de](http://www.rki.de)).



Active substance	Product name	Laundry disinfection		Surface disinfection (scrubbing-/wiping disinfection)		Disinfection of excretions 1 part sputum or stools + 2 parts diluted solution or 1 part urine + 1 part diluted solution						Area of effectiveness	Manufacturer or Supplier
		Diluted solution	Time to take effect	Diluted solution	Time to take effect	Sputum		Stools		Urine			
						%	Hr.	%	Hr.	%	Hr.		
Phenol or phenol derivative	Amocid	1	12	5	6	5	4	5	6	5	2	A	Lysoform
	Gevisol	0,5	12	5	4	5	4	5	6	5	2	A	Schülke & Mayr
	Helipur			6	4	6	4	6	6	6	2	A	B. Braun
	m-cresylic soap solution (DAB 6)	1	12	5	4							A	
	Phenol	1	12	3	2							A	
Chlorine, organic or inorganic substances with active chlorine	Chloramin-T DAB 9	1,5	12	2,5	2	5	4					A <sup>1</sup> B	
	Clorina	1,5	12	2,5	2	5	4					A <sup>1</sup> B	Lysoform
	Trichlorol	2	12	3	2	6	4					A <sup>1</sup> B	Lysoform
Per combinations	Apesin AP100 <sup>2</sup>			4	4							AB	Tana PROFESSIONAL
	Dismozon pur <sup>2</sup>			4	1							AB	Bode Chemie
	Perform <sup>2</sup>			3	4							AB	Schülke & Mayr
	Wofesterii <sup>2</sup>			2	4							AB	Kesla Pharma
Formaldehyde and/or other aldehydes or derivatives	Aldasan 2000			4	4							AB	Lysoform
	Antifect FD 10			3	4							AB	Schülke & Mayr
	Antiseptica surface disinfection 7			3	6							AB	Antiseptica
	Apesin AP30			5	4							A	Tana PROFESSIONAL
	Bacilocid special			6	4							AB	Bode Chemie
	Buraton 10F			3	4							AB	Schülke & Mayr
	Desomed A 2000			3	6							AB	Desomed
	Hospital disinfectant cleaner			8	6							AB	Dreiturm
	Desomed Perfekt			7	4							AB*	Desomed
	Formaldehyde-solution (DAB 10), (formaline)	1,5	12	3	4							AB	
	Incidin Perfekt	1	12	3	4							AB	Ecolab
	Incidin Plus			8	6							A	Ecolab
	Kohrsolin	2	12	3	4							AB	Bode Chemie
	Lysoform	4	12	5	6							AB	Lysoform
	Lysoformin	3	12	5	6							AB	Lysoform
	Lysoformin 2000			4	6							AB	Lysoform
	Melsept	2	12	4	6							AB	B. Braun
	Melsitt	4	12	10	4							AB	B. Braun
	Minutil	2	12	6	4							AB	Ecolab
	Multidor			3	6							AB	Ecolab
Nüscosept			5	4							AB	Dr. Nüsken Chemie	
Optisept			7	4							AB*	Dr. Schumacher	
Pursept-FD			7	4							AB*	Merz	
Ultrasol F	3	12	5	4							AB	Fresenius Kabi	
Amphoteric surfactants (amfotensiden)	Tensodur 103	2	12									A	MFH Marienfelde
Lye	Lime-milk <sup>3</sup>							20	6			A <sup>3</sup> B	

1 Not effective against myco-bacteria when service disinfecting, especially in the presence of blood.

2 Not suitable for disinfecting blood-contaminated or porous surfaces (e.g. raw wood).

3 Useless for tuberculosis; preparation of Lime-milk: 1 part dissolved lime (calcium hydroxide) + 3 parts water.

\* Checked for effectiveness on viruses in accordance with checking methods of the RKI (Federal Health Reporting 38 (1995) 242).

A: Suitable for killing vegetative bacterial germs including myco-bacteria as well as fungi, including fungal spores.

B: Suitable for deactivating viruses.

Table 6: Disinfectants

Kindly consult your specialist dealer if you have queries on matters related to disinfection; he will gladly assist you.

## 5 Guarantee

Excerpt from the "General Business Conditions":

(...)

5. The guarantee period for warranty claims is 24 months. As a result of our superior quality requirements, we can increase the time bar on warranty claims beyond these fundamental, statutory requirements for

(...)

-Frame and cross-hinge of wheelchairs

4 years

The guarantee excludes damage arising from structural changes to our products, insufficient maintenance, defective or improper handling or storage or the use of non-original parts. Likewise, the guarantee excludes parts or working parts subject to natural wear and tear.

(...)

## 6 Disposal

When disposing of the wheelchair, contact your local disposal centre or return the product to your specialist dealer who, after submitting it to a hygienic procedure, will be able to send it back to the manufacturer who will dispose of and recycle it correctly, separating it into its component materials.

Packaging materials can be taken to disposal or recycling centers or to your specialist dealer.

## 7 Declaration of conformity

*The manufacturer or his authorized representative :*

N.V. VERMEIREN N.V

**Address :**

Vermeirenplein 1/15

2920 Kalmthout

Belgium

*declares under his sole responsibility that the CE marked medical devices :*

Productgroup: Manual wheelchairs

Brand: Vermeiren

Type: V100 XL

*have been classified as class I, according to annex IX MDD 93/42/EEC, rule 1,*

*and is manufactured in full conformity with the European instructions below - including the latest modifications - and with the national law, that organizes this directions :*

Medical devices directive MDD 93/42/EEC

*and is in conformity with the relevant European harmonized standards:*

EN 12182: 1999, EN 12183: 2009





## 8 Maintenance plan

Date	Maintenance	Remarks	Paraph
1/1/2012	Greasing and general servicing	non	

## 9 Disinfection book

Date of the disinfection	Reason	Specification	Substance and concentration	Signature

Abbreviations used in column 2 (reason):

V = Suspected infection   IF = Infection case   W = Repetition   I = Inspection



## Table des matières

<b>Préface</b> .....	<b>2</b>
<b>1 Description du produit</b> .....	<b>3</b>
1.1 Utilisation prévue .....	3
1.2 Caractéristiques techniques .....	4
1.3 Schéma .....	5
1.4 Accessoires.....	5
1.5 Emplacement de la plaque d'identification .....	6
1.6 Explication des symboles .....	6
<b>2 Utilisation</b> .....	<b>6</b>
2.1 Transport du fauteuil roulant.....	6
2.2 Montage des roues arrière .....	7
2.3 Dépliage du fauteuil roulant.....	7
2.4 Montage ou démontage de la barre de poussée.....	7
2.5 Montage ou démontage du repose-pied .....	8
2.6 Actionnement des freins.....	8
2.7 Montage ou retrait des repose-bras .....	9
2.8 Transfert dans et hors du fauteuil roulant.....	10
2.9 Position correcte du fauteuil roulant .....	10
2.10 Déplacements avec le fauteuil roulant .....	11
2.11 Déplacements en pente.....	11
2.12 Passage de marches ou de bordures de trottoirs .....	11
2.13 Pliage du fauteuil roulant .....	13
2.14 Retrait des roues .....	13
2.15 Transport en voiture .....	13
<b>3 Installation et réglage</b> .....	<b>14</b>
3.1 Outils .....	14
3.2 Mode de livraison.....	14
3.3 Réglage de la hauteur du siège.....	15
3.4 Réglez les freins .....	16
3.5 Réglage du repose-pied .....	16
3.6 Réglage du repose-bras .....	17
<b>4 Maintenance</b> .....	<b>18</b>
4.1 Maintenance régulière .....	18
4.2 Expédition et stockage .....	18
4.3 Entretien .....	19
4.4 Inspection .....	19
4.5 Désinfection .....	20
<b>5 Garantie</b> .....	<b>22</b>
<b>6 Mise au rebut</b> .....	<b>22</b>
<b>7 Déclaration de conformité</b> .....	<b>22</b>
<b>8 Plan de maintenance</b> .....	<b>23</b>
<b>9 Journal de désinfection</b> .....	<b>23</b>

## Préface

Nous tenons tout d'abord à vous remercier de nous avoir fait confiance en choisissant l'un de nos fauteuils roulants.

Les fauteuils roulants Vermeiren sont le résultat de nombreuses années de recherche et d'expérience. Au cours du développement, une attention spéciale a été portée sur la facilité d'utilisation et les possibilités d'entretien du fauteuil roulant.

La durée de vie attendue de 8 ans de votre fauteuil roulant est fortement influencée par l'entretien et la maintenance dont il bénéficie.

Ce manuel vous aidera à connaître le fonctionnement de votre fauteuil roulant.

Le respect des instructions d'utilisation et des instructions de maintenance est une condition essentielle de la garantie.

Ce manuel reflète les derniers développements du produit. Vermeiren est autorisé à apporter des modifications sans devoir pour autant adapter ou remplacer les modèles fournis précédemment.

Pour toute question, consultez votre distributeur.

## 1 Description du produit

### 1.1 Utilisation prévue

Le fauteuil roulant est destiné aux personnes qui ont des difficultés à marcher ou sont dans l'impossibilité de marcher.

Le fauteuil roulant est destiné au transport d'une seule personne.

Le fauteuil roulant est destiné à une utilisation en intérieur et en extérieur.

L'utilisateur peut lui-même faire avant le fauteuil roulant ou se faire pousser par une autre personne.

Les différents types d'équipements et d'accessoires et la construction modulaire permettent une utilisation complète par des personnes souffrant des handicaps suivants :

- paralysie,
- perte des membres (amputation de jambe),
- déficiences ou déformations des membres,
- articulations raides ou abîmées,
- insuffisances cardiaques et mauvaise circulation sanguine,
- troubles de l'équilibre,
- cachexie (perte musculaire),
- ainsi que par des personnes âgées.

En cas de fourniture pour des besoins individuels :

- la taille et le poids (maximum 170 kg),
- l'état physique et psychologique,
- la nature de la résidence,
- l'environnement

doivent être pris en considération.

Votre fauteuil roulant ne doit être utilisé que sur des surfaces où les quatre roues touchent le sol et où le contact est suffisant pour entraîner les roues de manière équilibrée.

Il est recommandé de s'entraîner à un usage sur des surfaces irrégulières (pavés, etc.), pentes, courbes et à passer des obstacles (bordures de trottoirs, etc.).

Le fauteuil roulant ne doit pas être utilisé comme échelle, ni pour le transport d'objets lourds ou chauds.

En cas d'utilisation sur des paillassons, moquettes ou revêtements de sols non fixés, le revêtement de sol peut être endommagé.

Utilisez uniquement des accessoires approuvés par Vermeiren.

Le fabricant n'est pas responsable des dommages causés par l'absence ou l'inadéquation de l'entretien, ou par le non-respect des instructions de ce manuel.

Le respect des instructions d'utilisation et de maintenance est une condition essentielle de la garantie.

## 1.2 Caractéristiques techniques

Les indications techniques ci-dessous sont valides pour le fauteuil roulant avec ses réglages standard. En cas d'utilisation d'autres repose-pieds / repose-bras ou autres accessoires, les valeurs indiquées sont modifiées.


Marque	Vermeiren		
Adresse	Vermeirenplein 1/15, B-2920 Kalmthout		
Type	Fauteuil roulant manuel 		
Modèle	V100 XL		
Masse maximale de l'occupant	170 kg		
Description	Dimensions		
Largeur d'assise efficace	530 mm	560 mm	600 mm
Largeur totale (en fonction de la largeur d'assise)	740 mm	770 mm	810 mm
Description	Dimensions Minimum	Dimensions Maximum	
Longueur totale avec repose-jambe	1060 mm		
Longueur plié	1060 mm		
Largeur plié	375 mm		
Hauteur plié	890 mm	950 mm	
Masse totale	21,4 kg		
Masse de la partie la plus lourde	13,7 kg		
Des masses de pièces qui peuvent être démontés ou retirés	<b>Repose-pieds: 1,75 kg; Repose-bras: 1,8 kg; Roues arrière: 4,05 kg</b>		
Stabilité statique en descente	7°		
Stabilité statique en montée	9°		
Stabilité statique latérale	18°		
Passage d'obstacle	60 mm		
Angle du plan d'assise	5°		
Profondeur d'assise efficace	490 mm		
Hauteur de la surface d'assise sur le bord avant	470 mm	530 mm	
Angle du dossier	5°		
Hauteur du dossier	380 mm		
Distance entre le repose-pieds et le siège	450 mm		
Angle entre le repose-pieds et le siège	10°		
Distance entre l'accoudoir et le siège	220 mm	240 mm	
Emplacement avant de la structure des accoudoirs	410 mm		
Diamètre de la main-courante	535 mm		
Emplacement horizontal de l'essieu (flèche)	20 mm		
Rayon de braquage minimum	1616 mm		
Diamètre des roues arrière Krypton PU	22"	24"	
Pression des pneus, roues arrière (motrices)	Maximum 3,5 bar		
Diamètre des roues directrices Krypton PU	200 mm		
Pression des pneus, roues directrices	Maximum 2,5 bar		
Température de stockage et d'utilisation	+ 5 °C	+ 41 °C	
Humidité de stockage et d'utilisation	30%	70%	
<b>Nous nous réservons le droit d'apporter des modifications techniques. Tolérance de mesure ± 15 mm / 1,5 kg / °</b>			

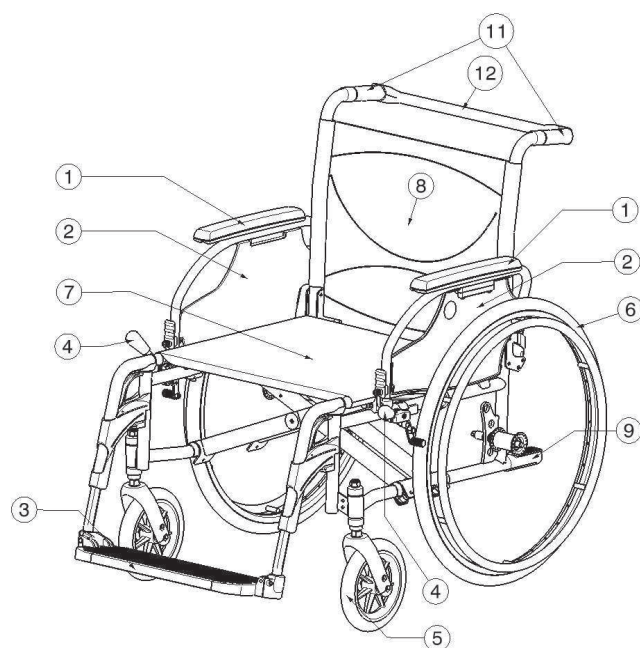
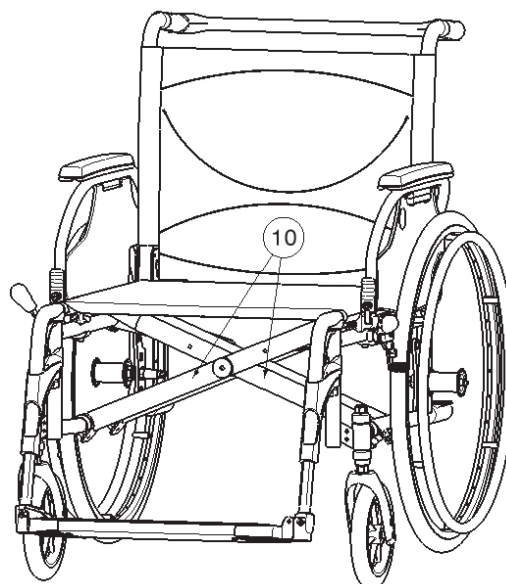
Tableau 1 : Caractéristiques techniques

Le fauteuil roulant respecte les exigences définies dans :

ISO 7176-8 : Exigences et méthodes de test pour les forces statiques, d'impact et de fatigue.

ISO 7176-16 : Résistance à l'inflammation des pièces rembourrées

### 1.3 Schéma



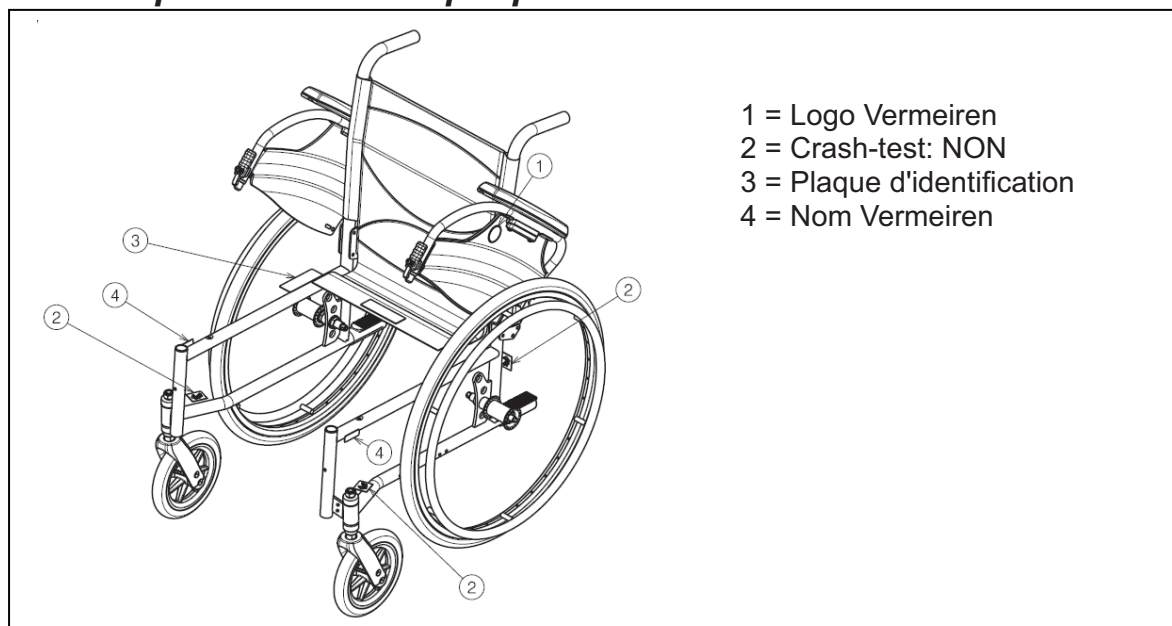
- 1 = Accoudoirs
- 2 = Repose-bras
- 3 = Repose-pieds
- 4 = Freins
- 5 = Roues directrices (roues avant)
- 6 = Roues motrices (roues arrière)
- 7 = Siège
- 8 = Dossier
- 9 = Patte d'inclinaison
- 10 = Traverse
- 11 = Poignées
- 12 = Barre de poussée

### 1.4 Accessoires

Les accessoires suivants sont disponibles pour le V100 XL :

- Sangle pelvienne antérieure (B20) à monter sur les tubes du dossier (voir le manuel correspondant)
- Système anti-basculement (B78) à monter sur le cadre inférieur (voir le manuel correspondant)

## 1.5 Emplacement de la plaque d'identification



## 1.6 Explication des symboles



Poids maximum



Usage intérieur et extérieur



Descente



Montée



CE conformité



Crash-test: NON

## 2 Utilisation

Ce chapitre décrit l'utilisation quotidienne. **Ces instructions sont destinées à l'utilisateur et au distributeur.**

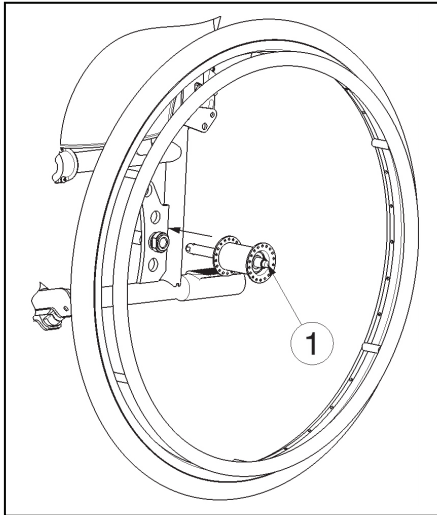
Le fauteuil roulant est livré entièrement assemblé par votre distributeur. Les instructions destinées au distributeur pour le réglage du fauteuil roulant sont indiquées au § 3.

### 2.1 Transport du fauteuil roulant

Le meilleur moyen de déplacer le fauteuil roulant consiste à le faire rouler sur ses roues.

Si cela n'est pas (par exemple en cas de retrait des roues arrière pour le transport dans une voiture), saisir fermement le cadre à l'avant et les poignées. Ne pas saisir le fauteuil roulant par les accoudoirs ni par le plaque repose-pieds.

## 2.2 Montage des roues arrière



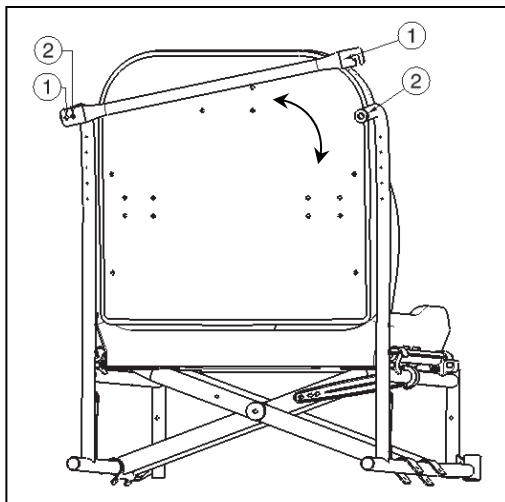
1. Prenez la roue arrière et poussez sur le bouton ①.
2. Maintenez le bouton enfoncé et montez l'essieu arrière jusqu'à ce qu'il soit bloqué.
3. Relâchez le bouton.
4. Vérifiez que les roues sont bloquées.

## 2.3 Dépliage du fauteuil roulant

**⚠ ATTENTION : risque de pincement, laissez les doigts à l'écart des pièces mobiles du fauteuil roulant.**

1. Placez-vous derrière le fauteuil roulant.
2. Utilisez les poignées pour ouvrir le fauteuil roulant autant que possible.
3. Placez-vous à l'avant du fauteuil roulant.
4. Poussez sur les deux tubes de l'assise vers le bas jusqu'à ce qu'ils soient fixés à leur place.
5. Remontez la barre de poussée jusqu'à la poignée de droite (en vous tenant derrière le fauteuil).

## 2.4 Montage ou démontage de la barre de poussée



Le montage de la barre de poussée s'effectue comme suit :

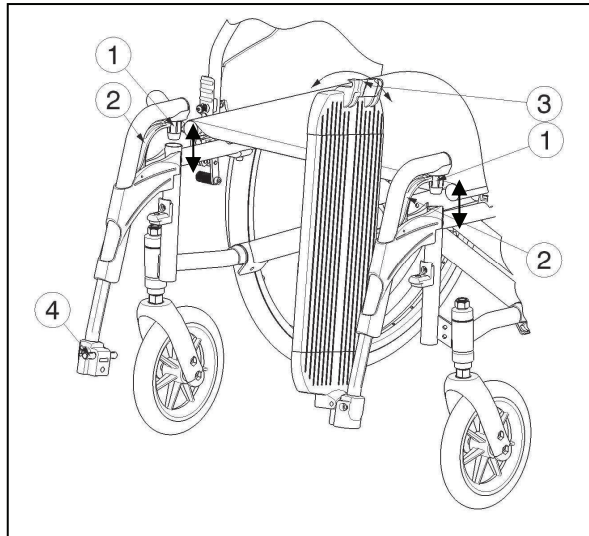
1. Fixez la barre de poussée sur la poignée de droite.
2. Basculez la barre de poussée sur la droite
3. Fixez le clip ① sur la poignée de droite②.  
En cas de difficulté il se peut que la barre de poussée soit trop longue. Enclenchez la barre de poussée sur la poignée de gauche②.

Pour retirer la barre de poussée :

1. Desserez la fixation au niveau de la poignée droite.
2. Retirez le clip ① de la poignée droite②.



## 2.5 Montage ou démontage du repose-pied



Le montage du repose-pied s'effectue comme suit :

1. Tenez le repose-pied latéralement à l'extérieur du châssis du fauteuil roulant et montez le logement de tube ① dans le châssis.
2. Basculez le repose-pied vers l'intérieur jusqu'à ce qu'il se bloque en position.
3. Basculez la plaque repose-pied vers le bas jusqu'à ce que les clips ③ se verrouillent sur le dispositif de fixation. ④

Pour retirer le repose-pied :

1. Désenclenchez le clip ③ du dispositif de fixation ④.
2. Basculez la plaque repose-pied vers le haut.
3. Tirez la poignée ②.
4. Basculez le repose-pied vers l'extérieur du fauteuil jusqu'à ce qu'il soit libéré.
5. Tirez le repose-pied hors du logement de tube ①.

## 2.6 Actionnement des freins

**⚠ AVERTISSEMENT** : les freins ne servent pas à ralentir le fauteuil roulant en mouvement. Ne les utilisez que pour empêcher des mouvements non souhaités du fauteuil roulant.

**⚠ AVERTISSEMENT** : le bon fonctionnement des freins dépend de l'usure et de l'état des pneus (eau, huile, boue, ...). Vérifiez l'état des pneus avant chaque utilisation.

**⚠ AVERTISSEMENT** : les freins sont réglables et peuvent s'user. Contrôlez le fonctionnement des freins avant chaque utilisation.

Pour actionner les freins :

1. Poussez les poignées de freins vers l'avant jusqu'à ce que vous sentiez un clic net.

**⚠ ATTENTION** : risque de mouvement non souhaité. Vérifiez que le fauteuil roulant se trouve sur une surface horizontale plane avant de relâcher les freins. Ne relâchez jamais les deux freins en même temps.

Pour relâcher les freins :

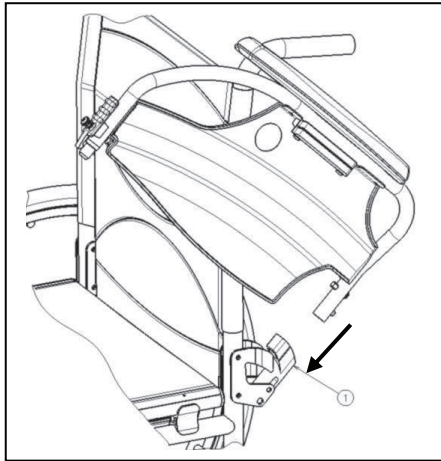
1. Relâchez un frein en tirant une poignée vers l'arrière.
2. Maintenez avec votre main la main-courante de la roue relâchée.
3. Relâchez le deuxième frein en tirant la poignée vers l'arrière.



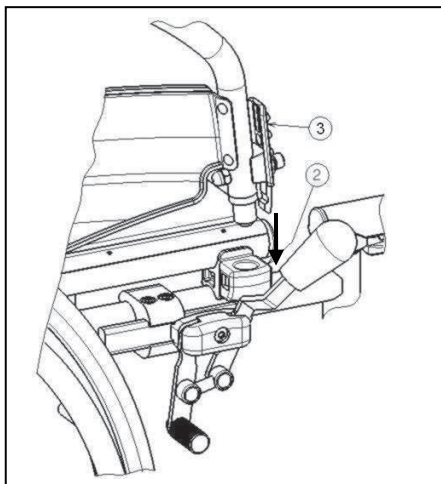
## 2.7 Montage ou retrait des repose-bras

Les repose-bras du fauteuil roulant peuvent être montés en suivant les instructions suivantes.

**⚠ ATTENTION : risque de pincement, laissez les doigts, boucles et vêtements à l'écart du bas du repose-bras.**

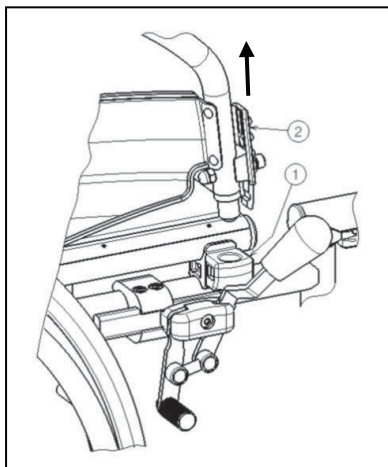


1. Montez le tube arrière de l'accoudoir dans le logement de tube ①.
2. Vérifiez que le support de bras se met bien en place dans le mécanisme de verrouillage.
3. Pliez l'accoudoir vers l'avant.



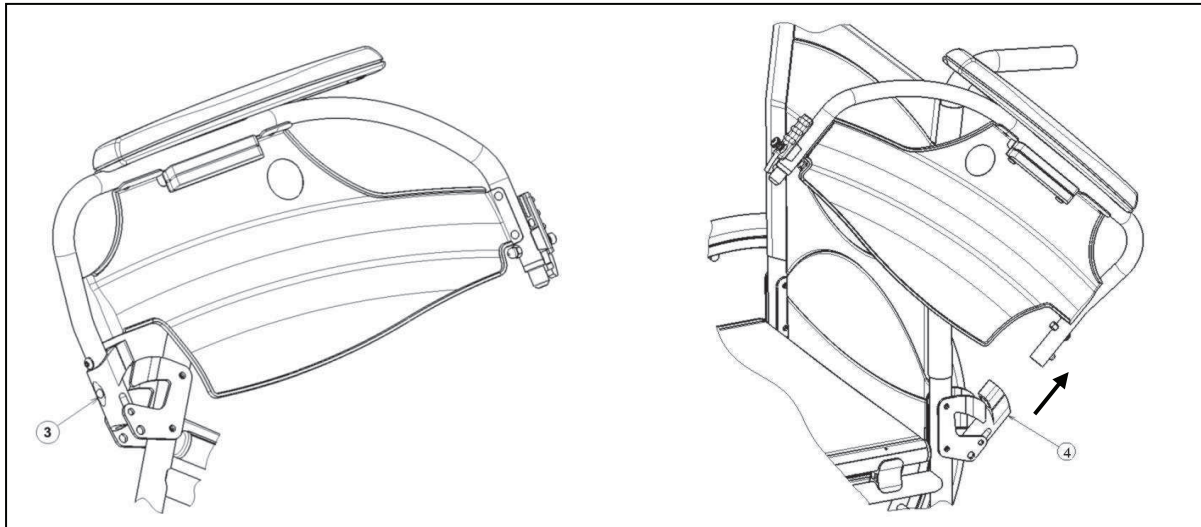
4. Verrouillez le tube avant de l'accoudoir dans le logement de tube ②.

Pour ouvrir et retirer l'accoudoir :



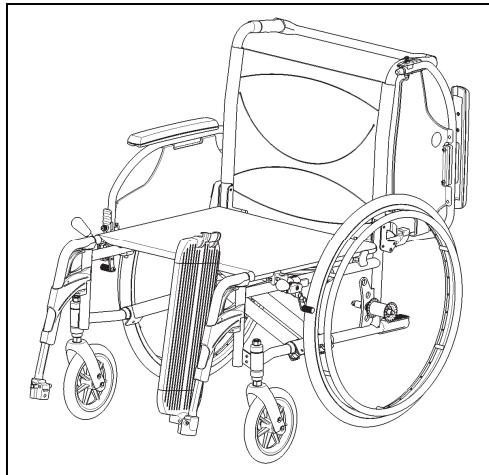
1. Appuyez sur le levier ② et tirez l'avant de l'accoudoir vers le haut.
2. Pliez l'accoudoir vers l'arrière.

3. Pour retirer l'accoudoir, appuyez sur le bouton ③ et tirez l'arrière du repose-bras hors du logement de tube ④.



## 2.8 Transfert dans et hors du fauteuil roulant

- ⚠ **ATTENTION** : si vous ne pouvez pas réaliser le transfert en toute sécurité, demandez à quelqu'un de vous aider.
- ⚠ **ATTENTION** : risque de basculer hors du fauteuil roulant. Ne vous levez pas sur la plaque repose-pied.



1. Placez le fauteuil roulant aussi près que possible de la chaise, du canapé ou du lit concerné par le transfert.
2. Vérifiez que les deux freins du fauteuil roulant sont actionnés.
3. Basculez la plaque repose-pied vers le haut pour éviter de marcher dessus.
4. Si le transfert est réalisé sur le côté du fauteuil roulant, rabattez le repose-bras de ce côté vers le haut (voir § 2.7).
5. Procédez au transfert vers/depuis le fauteuil roulant.

## 2.9 Position correcte du fauteuil roulant

Recommandations pour une utilisation confortable du fauteuil roulant :

- Placez votre dos aussi proche que possible du dossier.
- Assurez-vous que vos cuisses soient horizontales. Réglez la longueur des repose-pieds si nécessaire (voir § 3.5).

## 2.10 Déplacements avec le fauteuil roulant

- ⚠ **AVERTISSEMENT** : risque de pincement, évitez de laisser vos doigts se prendre dans les rayons des roues.
- ⚠ **AVERTISSEMENT** : risque de pincement, soyez prudent lors de passages dans des endroits étroits (par exemple les portes).
- ⚠ **AVERTISSEMENT** : risque de brûlures – Soyez prudents lorsque vous conduisez dans des environnements chauds ou froids (soleil, froid extrême, saunas, etc.) - Les parties métalliques peuvent subir les températures de l'environnement et devenir très chaudes ou très froides.

1. Relâchez les freins.
2. Saisissez le haut des deux mains-courantes.
3. Penchez-vous en avant et poussez les mains-courantes vers l'avant jusqu'à ce que vos bras soient tendus.
4. Ramenez doucement vos bras vers le haut des mains-courantes et répétez ce mouvement.

## 2.11 Déplacements en pente

- ⚠ **AVERTISSEMENT** : contrôlez votre vitesse, déplacez-vous sur les pentes aussi lentement que possible.
- ⚠ **AVERTISSEMENT** : tenez compte des capacités de votre accompagnateur. S'il n'a pas assez de force pour contrôler le fauteuil roulant, actionnez les freins.
- ⚠ **AVERTISSEMENT** : risque de basculement. Penchez-vous vers l'avant pour déplacer votre centre de gravité vers l'avant. Vous gagnerez ainsi en stabilité.



1. Si le fauteuil roulant est équipé d'une ceinture de sécurité, utilisez-la.
2. N'essayez pas de franchir des pentes trop difficiles. Les angles de pente maximum (montée et descente) sont indiqués dans le tableau 1.
3. Demandez à un assistant de vous aider à franchir une pente.
4. Penchez-vous vers l'avant pour déplacer votre centre de gravité vers l'avant.

## 2.12 Passage de marches ou de bordures de trottoirs

### 2.12.1 Descente de marches ou de bordures de trottoirs

Il est possible de descendre de petites bordures de trottoirs en avançant. Assurez-vous que les repose-pieds ne touchent pas le sol.



Un utilisateur entraîné peut franchir seul de petites marches ou bordures de trottoirs :

- ⚠ **AVERTISSEMENT** : risque de basculement. Si vous n'êtes pas assez expérimenté avec votre fauteuil roulant, demandez de l'aide à quelqu'un.
1. Mettez plus de poids sur les roues arrière pour réduire la pression sur les roues avant.
  2. Franchissez les bordures de trottoirs.

Il est possible de franchir des bordures de trottoirs plus hautes avec un assistant :

1. Demandez à l'assistant d'incliner légèrement le fauteuil roulant vers l'arrière.
2. Franchissez les bordures de trottoirs en roulant sur les roues arrière.

3. Reposez le fauteuil roulant sur ses quatre roues.



Un utilisateur entraîné peut franchir seul des bordures de trottoirs plus hautes. L'idéal est de les franchir en marche arrière.

1. Tournez le fauteuil roulant, roues arrière face à la bordure de trottoir.
2. Penchez-vous vers l'avant pour déplacer votre centre de gravité vers l'avant.
3. Reculez près de la bordure de trottoir.
4. Utilisez la main-courante pour contrôler la descente de la bordure de trottoir.

### 2.12.2 Montée de marches ou de bordures de trottoirs

Montez des marches ou bordures de trottoirs avec un assistant de la manière suivante :



1. Les repose-pieds ne doivent pas toucher la bordure de trottoir.
2. Demandez à l'assistant d'incliner légèrement le fauteuil roulant vers l'arrière, juste assez pour placer les roues avant en haut de la bordure de trottoir.
3. Penchez-vous vers l'arrière pour déplacer votre centre de gravité au-dessus de la roue arrière.
4. Placez les roues avant sur la bordure de trottoir.
5. Montez la bordure du trottoir avec les roues arrière du fauteuil roulant.

Franchissez les bordures de trottoirs hautes en marche arrière :

1. Tournez le fauteuil roulant, roues arrière face à la bordure de trottoir.
2. Penchez-vous vers l'arrière et déplacez votre centre de gravité au-dessus de la roue arrière.
3. Demandez à l'assistant de tirer le fauteuil roulant sur la bordure de trottoir.
4. Reprenez votre position normale dans le fauteuil roulant.

Un utilisateur entraîné peut franchir seul des bordures de trottoirs.

**⚠ AVERTISSEMENT : risque de basculement. Si vous n'êtes pas assez expérimenté pour contrôler le fauteuil roulant, demandez de l'aide à quelqu'un.**



1. Roulez jusqu'aux bordures de trottoirs.
2. Assurez-vous que les repose-pieds ne touchent pas les bordures de trottoirs.
3. Penchez-vous vers l'arrière pour déplacer votre centre de gravité vers les roues arrière.



4. Franchissez la bordure de trottoir avec les roues avant.
5. Penchez-vous vers l'avant pour plus de stabilité.
6. Franchissez la bordure de trottoir avec les roues arrière.

### 2.12.3 Passage d'escaliers

Le passage d'escaliers en restant sur le fauteuil roulant doit toujours se faire dans le respect des règles suivantes :

**⚠ Avertissement : risque de basculement. Toujours passer des escaliers avec 2 assistants.**

1. Retirez les repose-pieds.
2. Un assistant incline légèrement le fauteuil roulant vers l'arrière.
3. Le deuxième assistant attrape l'avant du châssis.
4. Restez calme, évitez les mouvements brusques et gardez les bras à l'intérieur du fauteuil roulant.
5. Passez les marches sur les roues arrière du fauteuil roulant.
6. Remontez les repose-pieds après le passage des escaliers.

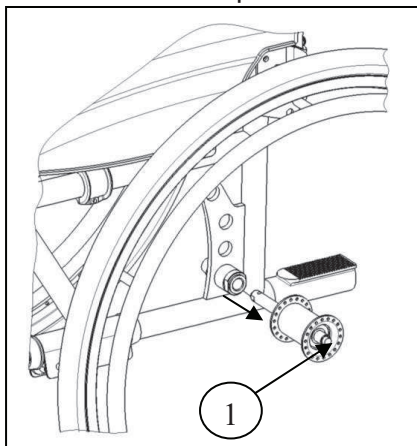
### 2.13 Pliage du fauteuil roulant

**⚠ Attention : Risque de pincement.- Ne placez pas vos doigts entre les éléments du fauteuil roulant.**

1. Pliez ou retirez le repose-pieds (voir § 2.5).
2. Détachez la barre de poussée de la poignée droite (en vous tenant derrière le fauteuil).
3. Saisissez l'avant et l'arrière du siège et tirez vers le haut.

### 2.14 Retrait des roues

Les roues arrière peuvent être retirées pour faciliter le transport du fauteuil roulant :



1. Vérifiez que les freins ne sont pas actionnés.
2. Placez-vous du côté du fauteuil roulant dont vous voulez retirer la roue.
3. Appuyez sur le bouton ① au centre du moyeu.
4. Tirez la roue hors du châssis.

### 2.15 Transport en voiture

**⚠ Danger: risque de blessure – Le fauteuil roulant n'est pas prévu pour servir de siège dans un véhicule.**

**⚠ Avertissement : risque de blessure. Vérifiez que le fauteuil roulant est bien fixé. Vous éviterez ainsi des blessures des passagers en cas de collision ou de freinage brutal.**

**⚠ Avertissement : risque de blessure. N'utilisez JAMAIS la même ceinture pour attacher le passager et le fauteuil roulant.**

N'utilisez pas le fauteuil roulant dans un véhicule. Le produit doit être marqué de ce symbole.



Pour transporter le fauteuil roulant dans un véhicule, suivez les étapes suivantes:

1. Retirez les accessoires.
2. Stockez les accessoires en toute sécurité.
3. Pliez le dossier du fauteuil et enlevez les roues arrières.
4. Placez le fauteuil roulant dans le compartiment à bagages.
5. Si le fauteuil roulant n'est PAS séparé de l'habitacle, fixez correctement le châssis du fauteuil roulant au véhicule. Vous pouvez utiliser les ceintures de sécurité du véhicule.

### 3 Installation et réglage

**Les instructions de ce chapitre sont destinées au distributeur.**

Le Vermeiren V100 XL a été conçu pour un réglage avec un minimum de pièces de rechange. Il n'est pas nécessaire de stocker des pièces de rechange.

Pour trouver un service d'entretien ou un revendeur spécialisé près de chez vous, contactez l'établissement Vermeiren le plus proche. Vous trouverez une liste des établissements sur la dernière page.

**⚠ AVERTISSEMENT: risque de limitations dangereuses - N'utiliser que les limitations décrites dans ce manuel.**

**⚠ AVERTISSEMENT: une variation des réglages autorisés peut avoir une incidence sur la stabilité de votre fauteuil roulant (inclinaison en arrière ou latérale).**

#### 3.1 Outils

Les outils suivants sont requis pour le montage du fauteuil roulant.

- Jeu de clés de 7 à 22
- Jeu de clés Allen de 3 à 8
- Tournevis n°4 et n°5
- Tournevis à tête Phillips

#### 3.2 Mode de livraison

Le Vermeiren V100 XL doit être livré avec :

- 1 châssis avec repose-bras, roues avant et arrière (hauteur de siège de 500 mm)
- 1 plaque repose-pieds
- Outils
- Manuel
- Accessoires



### 3.3 Réglage de la hauteur du siège

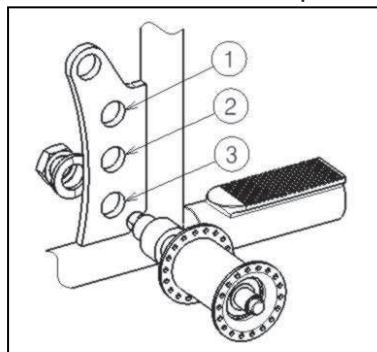
Le Vermeiren V100 XL peut être réglé sur 3 hauteurs d'assise en modifiant la position des roues. Il y a pour chaque hauteur un réglage différent des roues avant et arrière.

**⚠ AVERTISSEMENT : le trou supérieur de la plaque d'essieu n'est pas destiné au montage de l'essieu arrière, mais au montage du frein à tambour.**

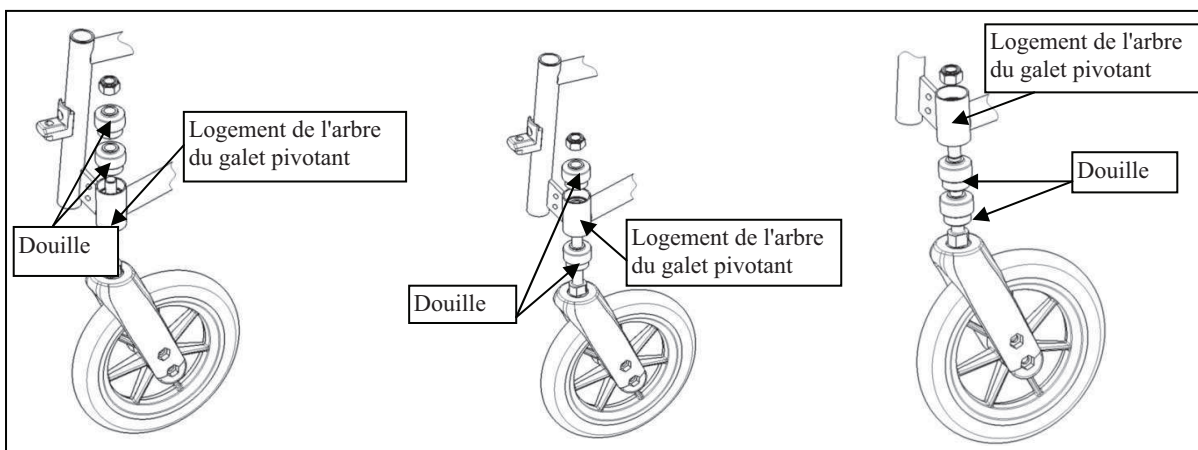
Hauteur du siège	Roue arrière	Roue avant
470 mm	Trou 1	Les deux douilles au-dessus du logement de l'arbre du galet pivotant
500 mm (standard)	Trou 2	Une douille au-dessus et une au-dessous du logement de l'arbre du galet pivotant
530 mm	Trou 3	Les deux douilles au-dessous du logement de l'arbre du galet pivotant

Tableau 2 : Hauteurs du siège

Procédez comme indiqué ci-dessous pour modifier la hauteur du siège :



1. Retirez les roues arrière (voir § 2.14).
2. Vissez les douilles de l'essieu arrière depuis la plaque d'essieu.
3. Assemblez les douilles de l'essieu dans le trou approprié de la plaque d'essieu, voir le tableau 2.
4. Vérifiez la fixation des douilles de l'essieu.

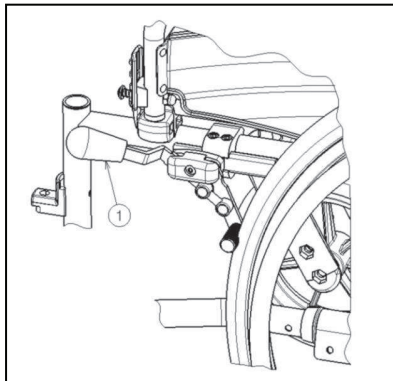


1. Vissez légèrement les axes rotatifs des roues avant.
2. Placez les douilles comme indiqué dans le tableau 2.
3. Installez les axes rotatifs des roues avant et serrez-les. Contrôlez la tension de l'axe rotatif, qui doit tourner facilement, mais sans jeu.
4. Montez les roues arrière.
5. Si elles sont installées correctement, les axes rotatifs des roues avant doivent être perpendiculaires au sol. Contrôlez cela.
6. Réglez les freins d'après le § 3.4.

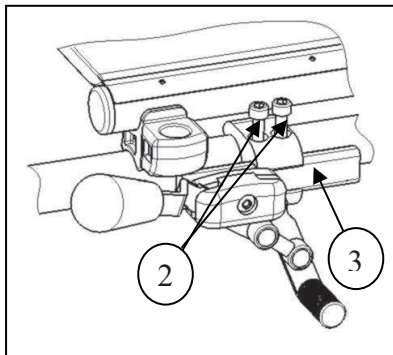
### 3.4 Réglez les freins

**⚠ AVERTISSEMENT : risque de blessure, seul le distributeur peut régler les freins.**

Réglez les freins d'après les règles suivantes :



1. Installez les roues d'après le § 2.2.
2. Déconnectez les freins en tirant le levier ① vers l'arrière.

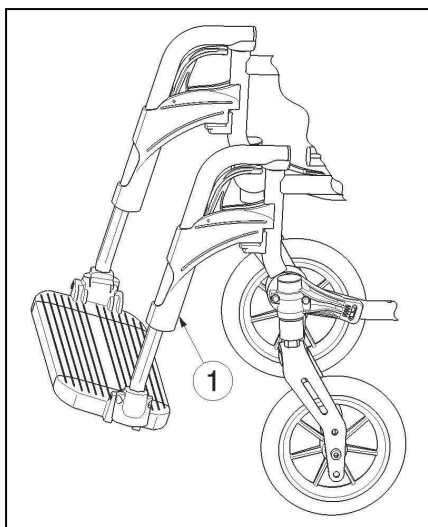


3. Desserrez les boulons ② pour que le mécanisme de freinage puisse glisser sur le guide ③.
4. Tirez le mécanisme de freinage sur le guide ③ vers la position souhaitée.
5. Reserrez les boulons ②.
6. Contrôlez le fonctionnement des freins.
7. Si nécessaire, répétez les étapes ci-dessus jusqu'à ce que les freins soient bien réglés.

### 3.5 Réglage du repose-pied

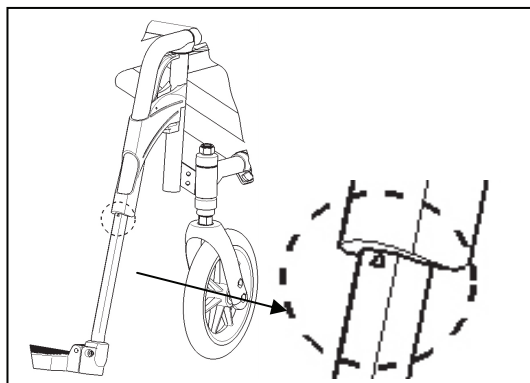
#### 3.5.1 Longueur du repose-pied

**⚠ ATTENTION : Risque de dommage - Evitez tout contact entre le repose-pieds et le sol. Conservez une distance minimale de 60 mm au-dessus du sol.**



Réglez comme suit la longueur du repose-pieds :

1. Retirez la vis ① (à l'arrière du repose-pieds).
2. Réglez la longueur du repose-pieds pour une assise confortable.
3. Serrez correctement la vis ① .



**La longueur de réglage maximale du plaque repose-pieds est indiquée par un triangle sur le tube.**



### 3.5.2 Réglage des plaques repose-pieds

Les plaques repose-pieds peuvent être utilisées sur 2 positions. En standard, elles sont réglées avec la plaque de base en position arrière.

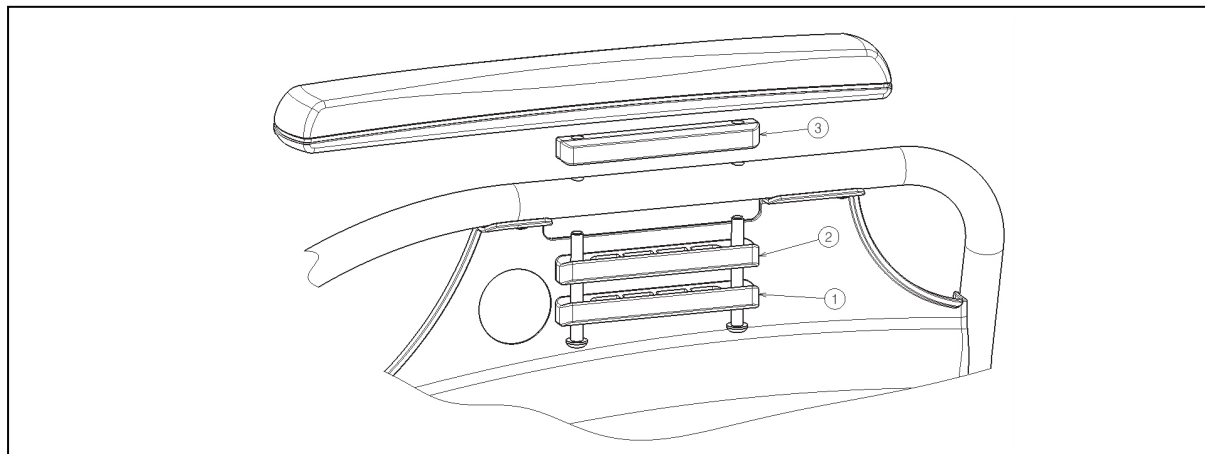
Les plaques repose-pieds peuvent être déplacées vers l'avant en intervertissant les plaques de droite et de gauche.

### 3.6 Réglage du repose-bras

Le repose-bras du fauteuil roulant peut être réglé en hauteur et en profondeur. La hauteur du repose-bras peut être réglée sur 3 positions.

Hauteur du repose-bras par rapport au siège	Nombre de blocs sous le tube	Nombre de blocs entre le tube et les repose-bras
220 mm (standard)	2	1
230 mm	1	2
240 mm	0	3

Tableau 4 : Hauteur du repose-bras



La profondeur de l'accoudoir peut être réglée sur 3 positions.

Profondeur de l'accoudoir	Trous utilisés
Position avant	Arrière et milieu
Position centrale (standard)	Trous 2 et 4
Position arrière	Avant et milieu

Tableau 5 : Profondeur de l'accoudoir

Réglez la hauteur et la profondeur de l'accoudoir de la manière suivante :

1. Retirez les deux vis sous l'accoudoir.
2. Placez le bon nombre de blocs sous et au-dessus des tubes, voir le tableau 4.
3. Installez l'accoudoir avec les trous requis pour le réglage de la profondeur.

## 4 Maintenance

La durée de vie attendue de ce fauteuil roulant est de 8 ans. La durée de vie du fauteuil roulant est influencée par son utilisation, de son stockage, de sa maintenance régulière, de l'entretien et du nettoyage.

### 4.1 Maintenance régulière

Les activités de maintenance requises pour garantir le bon état de votre fauteuil roulant Vermeiren sont décrites ci-dessous :

- Avant tout déplacement
  - Contrôlez et nettoyez les pneus. Remplacez les pneus si nécessaire.
  - Contrôlez toutes les vis sont bien serrées.
  - Contrôlez les freins et réglez-les si nécessaire.
  - Contrôlez le fauteuil roulant (propreté, fissures, dommages sur les pièces de structure, etc.) et nettoyez-le. Remplacez le revêtement si nécessaire.
- Toutes les 8 semaines : inspection, lubrification et réglage de
  - Repose-bras
  - Plaque repose-pieds
  - Levier de freins
  - Essieux des roues
- Tous les 6 mois ou pour tout nouvel utilisateur
  - Révision générale
  - Désinfection
  - Roues avant, nettoyer les roulements si nécessaire

Vous trouverez un plan de maintenance au verso de ce manuel.

Seul le distributeur peut se charger de la réparation et de l'assemblage des pièces détachées de votre fauteuil roulant.

N'installez que des pièces de rechange autorisées par Vermeiren.

### 4.2 Expedition et stockage

Respectez les instructions suivantes pour le expedition or le stockage du fauteuil roulant :

- Stockez le rollator uniquement dans des locaux secs (+5°C à +41°C).
- À une humidité relative de 30 % à 70 %.
- Utilisez suffisamment de protections ou emballages pour mettre le fauteuil roulant à l'abri de la rouille et des corps étrangers. (Par exemple eau salée, air salin, sable, poussière).
- Stockez toutes les pièces retirées ensemble, au même endroit (ou repérez-les si nécessaire) pour éviter de les mélanger avec d'autres produits lors du remontage.
- Les composants doivent être stockés sans subir de contrainte (ne placez pas de pièces trop lourdes sur le fauteuil roulant, ne le coincez pas entre d'autres objets, etc.).

## 4.3 *Entretien*

### 4.3.1 *Revêtements*

Respectez les instructions suivantes pour le nettoyage des revêtements :

- Nettoyez les revêtements avec un tissu humidifié avec de l'eau chaude. Veillez à ne pas tremper le revêtement.
- Utilisez un détergent doux vendu dans le commerce pour enlever les taches rebelles.
- Vous pouvez utiliser une éponge ou une brosse douce pour éliminer les taches.
- N'utilisez pas de produits de nettoyage agressifs tels que des solvants ni de brosses à poils durs.
- N'utilisez jamais de vapeur ni de nettoyeur haute pression pour le nettoyage.

### 4.3.2 *Pièces en plastique*

Nettoyez les éléments en plastique de votre fauteuil roulant avec un produit de nettoyage conçu à cet effet. Utilisez exclusivement une éponge ou brosse douce.

Les pièces en plastique sont par exemple les accoudoirs, plaque repose-pieds, poignées, pneus, etc. .

### 4.3.3 *Enduit*

La grande qualité de la couche de surface garantit une protection optimale contre la corrosion. Si la couche externe est endommagée par une rayure ou autre, faites réparer la surface concernée par votre distributeur.

Pour le nettoyage, utilisez exclusivement de l'eau chaude et des détergents domestiques normaux avec des brosses ou tissus doux. Veillez à ne pas faire entrer d'humidité dans les tubes.

À l'origine, les pièces en zinc n'ont besoin que d'être frottées avec un tissu sec. Vous pouvez éliminer les taches rebelles avec un polish pour zinc du commerce.

## 4.4 *Inspection*

En principe, nous recommandons une inspection chaque année, et au minimum une avant la remise en service. Tous les contrôles suivants doivent être réalisés et documentés par des personnes autorisées :

- Contrôlez sur les pièces du châssis et les tubes l'absence de déformation du plastique, de fissures et de dysfonctionnements.
- Contrôlez visuellement l'absence de dommage au niveau de la peinture (risque de corrosion)
- Contrôlez le fonctionnement des roues (rotation correcte, sans voile, jeu de l'essieu, pneus, profil, état des mains-courantes, pression d'air dans le cas de pneus gonflés, axes flottants, etc.)
- Contrôlez la solidité et le serrage de toutes les vis.
- Contrôlez la quantité de graisse sur les joints métalliques des pièces mobiles
- Contrôlez l'état et la sécurité des guides et axes des roues directrices
- Contrôlez visuellement l'absence de fissures et de points de rupture sur toutes les pièces en plastique
- Contrôlez le fonctionnement des accoudoirs et repose-jambes (verrouillage, charge, déformation, usure liée aux charges).
- Contrôlez le fonctionnement des autres pièces détachables (par exemple : système anti-basculement, sangle de sécurité personnelle, liaison dossier/siège, etc.)
- Fourniture de l'ensemble des pièces, manuel d'instructions disponible?

L'entretien ne doit être validé dans le plan de maintenance que si au minimum tous les éléments indiqués ci-dessus ont été contrôlés.

#### 4.5 Désinfection

- ⚠ AVERTISSEMENT : produits dangereux, l'utilisation de désinfectants est réservée au personnel autorisé.**
- ⚠ AVERTISSEMENT : produits dangereux, irritants pour la peau. Vous devez porter des vêtements de protection adaptés car les désinfectants peuvent irriter votre peau. Vous devez pour cela également tenir compte des informations relatives aux produits utilisés.**

Toutes les pièces du fauteuil roulant peuvent être traitées par récurage avec un désinfectant.

Toutes les mesures prises pour désinfecter des équipements réutilisés, leurs composants ou accessoires doivent être notées dans un rapport de désinfection contenant au minimum les informations suivantes (avec documentation des produits jointe) :

Date de désinfection	Motif	Spécification	Substance et concentration	Signature
----------------------	-------	---------------	----------------------------	-----------

Tableau 5 : Exemple de journal de désinfection

Abréviations utilisées dans la colonne 2 (motif) :

V = Infection suspectée IF = Cas d'infection W = Répétition I = Inspection

Pour une feuille vierge d'un journal de désinfection, voir § 9.

Les désinfectants recommandés pour le récurage (d'après la liste fournie par le Robert Koch Institute, RKI) sont présentés dans le tableau ci-dessous. L'état actuel des désinfectants présents dans la liste RKI est disponible auprès du Robert Koch Institute (RKI) (page d'accueil : [www.rki.de](http://www.rki.de)).

Substance active	Nom du produit	Désinfectant de blanchisserie		Désinfection de surface (récurage/essuyage)		Désinfection des excréments 1 volume crachat ou de selles + 2 volumes de solution diluée ou 1 volume d'urine + 1 volume de solution diluée						Zone d'efficacité	Fabricant ou fournisseur
		Solution diluée	Durée pour faire effet	Solution diluée	Durée pour faire effet	Crachat		Selles		Urine			
						Solution diluée	Durée pour faire effet	Solution diluée	Durée pour faire effet	Solution diluée	Durée pour faire effet		
%	h	%	h	%	h	%	h	%	h	%	h		
Phénol ou dérivé de phénol	Amocid	1	12	5	6	5	4	5	6	5	2	A	Lysoform
	Gevisol	0,5	12	5	4	5	4	5	6	5	2	A	Schülke & Mayr
	Helipur			6	4	6	4	6	6	6	2	A	B. Braun
	Solution savonneuse m-cresylic (DAB 6)	1	12	5	4							A	
	Phénol	1	12	3	2							A	
Chlore, substances organiques ou anorganiques avec chlore actif	Chloramine-T DAB 9	1,5	12	2,5	2	5	4					A <sup>1</sup> B	
	Clorina	1,5	12	2,5	2	5	4					A <sup>1</sup> B	Lysoform
	Trichlorol	2	12	3	2	6	4					A <sup>1</sup> B	Lysoform
Par combinaisons	Apesin AP100 <sup>2</sup>			4	4							AB	Tana PROFESSIONAL
	Dismozon pur <sup>2</sup>			4	1							AB	Bode Chemie
	Perform <sup>2</sup>			3	4							AB	Schülke & Mayr
	Wofesteril <sup>2</sup>			2	4							AB	Kesla Pharma

Substance active	Nom du produit	Désinfectant de blanchisserie		Désinfection de surface (récurage/essuyage)		Désinfection des excréments 1 volume crachat ou de selles + 2 volumes de solution diluée ou 1 volume d'urine + 1 volume de solution diluée						Zone d'efficacité	Fabricant ou fournisseur
		Solution diluée	Durée pour faire effet	Solution diluée	Durée pour faire effet	Crachat		Selles		Urine			
						Solution diluée	Durée pour faire effet	Solution diluée	Durée pour faire effet	Solution diluée	Durée pour faire effet		
%	h	%	h	%	h	%	h	%	h	%	h		
Formaldéhyde et/ou autres aldéhydes ou dérivés	Aldasan 2000			4	4							AB	Lysoform
	Antifect FD 10			3	4							AB	Schülke & Mayr
	Antiseptica désinfection de surface 7			3	6							AB	Antiseptica
	Apesin AP30			5	4							A	Tana PROFESSIONAL
	Bacillocid special			6	4							AB	Bode Chemie
	Buraton 10F			3	4							AB	Schülke & Mayr
	Desomed A 2000			3	6							AB	Desomed
	Nettoyant désinfectant pour hôpitaux			8	6							AB	Dreiturm
	Desomed Perfekt			7	4							AB*	Desomed
	Solution formaldéhyde (DAB 10), (formaline)	1,5	12	3	4							AB	
	Incidin Perfekt	1	12	3	4							AB	Ecolab
	Incidin Plus			8	6							A	Ecolab
	Kohrsolin	2	12	3	4							AB	Bode Chemie
	Lysoform	4	12	5	6							AB	Lysoform
	Lysoformin	3	12	5	6							AB	Lysoform
	Lysoformin 2000			4	6							AB	Lysoform
	Melsept	2	12	4	6							AB	B. Braun
	Melsitt	4	12	10	4							AB	B. Braun
	Minutil	2	12	6	4							AB	Ecolab
	Multidor			3	6							AB	Ecolab
Nüscosept			5	4							AB	Dr. Nüsken Chemie	
Optisept			7	4							AB*	Dr. Schumacher	
Pursept-FD			7	4							AB*	Merz	
Ultrasol F	3	12	5	4							AB	Fresenius Kabi	
Surfactants amphotères (amphotensiden)	Tensodur 103	2	12									A	MFH Marienfelde
Lye	Lait de chaux <sup>3</sup>							20	6			A <sup>3</sup> B	

1 Pas efficace contre les myco-bactéries lors de la désinfection d'entretien, principalement en présence de sang.  
 2 Ne convient pas pour désinfecter des surfaces poreuses ou contaminées de sang (par exemple bois brut).  
 3 Pas efficace pour la tuberculose ; préparation de lait de chaux : 1 volume de chaux dissoute (hydroxyde de calcium) + 3 volumes d'eau.  
 \* Efficacité contrôlée sur les virus conformément aux méthodes de contrôle de RKI (Federal Health Reporting 38 (1995) 242).  
 A : convient pour tuer les germes bactériens végétatifs, y compris les myco-bactéries et champignons, y compris les spores fongiques.  
 B : convient pour désactiver les virus.

Tableau 6 : Désinfectants

Consultez votre distributeur pour toute question relative à la désinfection ; il sera heureux de vous aider.

## 5 Garantie

Extrait des Conditions générales de vente :

(...)

5. La durée de garantie est de 24 mois. Grâce à nos exigences élevées en matière de qualité, nous pouvons prolonger la période de garantie au-delà de cette période de base pour

(...)

-Châssis et articulation transversale des fauteuils roulants 4 ans

La garantie exclut les dommages liés à des modifications structurelles apportées à nos produits, à une maintenance insuffisante, à une manipulation ou un stockage déficients ou inappropriés ou à l'utilisation de pièces autres que les pièces d'origine. Par ailleurs, la garantie exclut les pièces ou pièces de travail soumises à une usure naturelle.

(...)

## 6 Mise au rebut

Lors de la mise au rebut du fauteuil roulant, contactez votre centre de collecte local ou retournez le produit à votre distributeur qui, après l'avoir soumis à une procédure d'hygiène, sera en mesure de le renvoyer au fabricant, qui se chargera de sa mise au rebut et de son recyclage corrects, en le séparant en différents matériaux entrant dans sa composition.

Les emballages peuvent être déposés dans des centres de collecte ou de recyclage ou après de votre distributeur.

## 7 Déclaration de conformité

**Le fabricant ou son mandataire :**

N.V. VERMEIREN N.V

**Adresse :**

Vermeirenplein 1/15  
2920 Kalmthout  
Belgique

**déclare sous sa propre responsabilité, que les dispositifs médicaux avec marquage CE :**

Produit groupe:	Fauteuils roulants manuels
Marque:	Vermeiren
Type:	V100 XL

**sont classés dans la classe I, suivant l'annexe IX 93/42/CEE, règle 1,**

**et ont été fabriqués en complète concordance avec les directives sous-mentionnées -y compris les dernières modifications - et avec la loi nationale qui organise ces directives :**

Dispositifs médicaux directive 93/42/CEE

**et sont conforme aux normes harmonisées européennes relevantes :**

EN 12182: 1999, EN 12183: 2009



## 8 Plan de maintenance

Date	Maintenance	Remarques	Signature
1/1/2012	Lubrification et entretien général	non	

## 9 Journal de désinfection

Date de désinfection	Motif	Spécification	Substance et concentration	Signature

Abréviations utilisées dans la colonne 2 (motif) :  
V = Infection suspectée IF = Cas d'infection W = Répétition I = Inspection

## Inhoudsopgave

<b>Voorwoord.....</b>	<b>2</b>
<b>1 Productomschrijving.....</b>	<b>3</b>
1.1 Toepassingsgebied.....	3
1.2 Technische specificaties.....	4
1.3 Tekening.....	5
1.4 Accessoires.....	5
1.5 Locatie identificatieplaat.....	6
1.6 Gebruikte symbolen.....	6
<b>2 Gebruik.....</b>	<b>6</b>
2.1 Dragen van de rolstoel.....	6
2.2 Plaatsen van de achterwielen.....	7
2.3 Uitvouwen van de rolstoel.....	7
2.4 Plaatsen of verwijderen van de duwstang.....	7
2.5 Plaatsen of verwijderen van de voetsteun.....	8
2.6 Bedienen van de rem.....	8
2.7 Plaatsen of verwijderen van de armsteunen.....	9
2.8 Transfer in en uit de rolstoel.....	10
2.9 Correcte positie in de rolstoel.....	10
2.10 Rijden met de rolstoel.....	11
2.11 Rijden op hellingen.....	11
2.12 Nemen van hindernissen (trottoirs).....	11
2.13 Opvouwen van de rolstoel.....	13
2.14 Afnemen van de wielen.....	13
2.15 Transport in de auto.....	13
<b>3 Montage en afstellen.....</b>	<b>14</b>
3.1 Gereedschap.....	14
3.2 Leveringsomvang.....	14
3.3 Instellen van de zithoogte.....	15
3.4 Afstellen van de remmen.....	16
3.5 Afstellen van de voetsteun.....	16
3.6 Afstellen van de armsteunen.....	17
<b>4 Onderhoud.....</b>	<b>17</b>
4.1 Periodiek Onderhoud.....	17
4.2 Verpakking en opslag.....	18
4.3 Verzorging.....	18
4.4 Inspectie.....	19
4.5 Desinfecteren.....	19
<b>5 Garantie.....</b>	<b>21</b>
<b>6 Afvalverwerking.....</b>	<b>21</b>
<b>7 Verklaring van overeenstemming.....</b>	<b>21</b>
<b>8 Onderhoudsplan.....</b>	<b>22</b>
<b>9 Desinfectiejournaal.....</b>	<b>22</b>
<b>10 Clusteromschrijvingen.....</b>	<b>23</b>





## Voorwoord

We willen U danken voor het vertrouwen dat U in onze producten stelt.

De rolstoelen van Vermeiren zijn het resultaat van jarenlange studies en ervaringen. Bij de ontwikkeling werd veel aandacht besteed aan een eenvoudige bediening en een gemakkelijk onderhoud.

De verwachte levensduur van 8 jaar van Uw rolstoel hangt in sterke mate af van de zorg waarmee U de rolstoel behandelt.

Deze handleiding maakt U vertrouwd met de bediening van Uw rolstoel. In dit document vindt U ook enkele onderhoudsadviezen zodat Uw rolstoel lang meegaat.

Het naleven van de gebruiks- en onderhoudsinstructies vormen een essentieel onderdeel van de garantiebepalingen.

Deze handleiding houdt rekening met de recentste productontwikkelingen. De Firma Vermeiren behoudt zich echter het recht voor om wijzigingen door te voeren zonder verplicht te zijn voordien geleverde modellen aan te passen of te vervangen.

Als U nog vragen hebt, neemt U best contact op met Uw vakhandelaar.

## 1 Productomschrijving

### 1.1 Toepassingsgebied

De rolstoel is bedoeld voor mensen die moeilijk of niet kunnen lopen.

De rolstoel is ontworpen voor het transport van 1 persoon.

De rolstoel kan zowel binnenshuis als buiten gebruikt worden.

De gebruiker kan de rolstoel zelf voortbewegen of laten duwen door een begeleider.

De rolstoel biedt door zijn modulaire opbouw verschillende aanpassingsmogelijkheden voor mensen die moeilijk kunnen lopen door:

- verlamming
- verlies van ledematen (beenamputatie)
- defect of aandoeningen van ledematen
- contracturen en gewrichtsaandoeningen
- hart- en bloedsomloopinsufficiëntie
- evenwichtsstoornissen
- cachexie (afname van het spierweefsel)
- geriatrische patiënten

Hou bij de individuele verzorging rekening met:

- grootte en lichaamsgewicht (max. 170 kg)
- fysieke en psychische gesteldheid
- woonomgeving
- milieu

Uw rolstoel mag alleen gebruikt worden op ondergronden waarbij alle vier de wielen de grond raken en waarbij het bodemcontact voldoende is voor een gelijkmatige aandrijving van alle wielen.

Extra oefening is nodig voor het rijden op ongelijkmatige ondergrond (kasseien, etc.), hellingen en bochten (zijdelings omvallen), evenals het nemen van hindernissen (bvb. Trottoirranden).

De rolstoel dient niet als klimtoestel of om hete of zware voorwerpen te transporteren.

Het gebruik van de rolstoel op tapijten, tapijtvloeren of andere losse vloerbedekkingen kan slijtage van de vloerbedekking tot gevolg hebben.

Gebruik enkel door Vermeiren goedgekeurde accessoires.

Vermeiren is niet aansprakelijk voor schade door gebrekkig of onvoldoende onderhoud of als gevolg van het niet naleven van instructies van deze handleiding.

Het naleven van de gebruiks- en onderhoudsinstructies vormen een essentieel onderdeel van de garantiebepalingen.

## 1.2 Technische specificaties

Onderstaande technische gegevens zijn geldig voor de rolstoel in standaard afstelling. Wanneer er andere voetsteunen/armsteunen of andere accessoires worden gebruikt, worden de opgegeven waarden gewijzigd.

<b>Merk</b>	Vermeiren		
<b>Adres</b>	Vermeirenplein 1/15, B-2920 Kalmthout		
<b>Type</b>	Manuele rolstoel		
<b>Model</b>	V100 XL		
<b>Maximale massa gebruiker</b>	170 kg		
<b>Omschrijving</b>	<b>Afmetingen</b>		
Effectieve zitbreedte	530 mm	560 mm	600 mm
Totale breedte (afhankelijk van de zitbreedte)	740 mm	770 mm	810 mm
<b>Omschrijving</b>	<b>Afmetingen Min.</b>	<b>Afmetingen Max.</b>	
Totale lengte inclusief voetsteun	1060 mm		
Lengte dichtgevouwen	1060 mm		
Breedte dichtgevouwen	375 mm		
Hoogte dichtgevouwen	890 mm	950 mm	
Totaal gewicht	21,4 kg		
Gewicht zwaarste onderdeel	13,7 kg		
Massa van onderdelen die kunnen worden gedemonteerd of verwijderd	<b>Voetsteun: 1,75 kg; Armsteunen: 1,80 kg; Achterwielen: 4,05 kg</b>		
Statische stabiliteit bergaf	7°		
Statische stabiliteit bergop	9°		
Statische stabiliteit zijwaarts	18°		
Maximum hoogte hindernis	60 mm		
Zithoek	5°		
Effectieve zitdiepte	490 mm		
Zithoogte aan voorzijde	470 mm	530 mm	
Rughoek	5°		
Rughoogte	380 mm		
Afstand tussen zit en voetsteun	450 mm		
Hoek tussen zit en voetsteun	10°		
Afstand tussen armsteun en zit	220 mm	240 mm	
Afstand voorzijde armsteunen	410 mm		
Diameter aandrijfhoepel	535 mm		
Horizontale afstand van de as (uitwijking)	20 mm		
Minimale draaicirkel	1515 mm		
Diameter Krypton PU achterwielen	22"	24"	
Bandenspanning aandrijfwielen / achterwielen (enkel voor luchtbanden)	Max. 3,5 bar		
Diameter Krypton PU stuurwielen	200 mm		
Bandenspanning stuurwielen (enkel voor luchtbanden)	Max. 2,5 bar		
Opslag en gebruikstemperatuur	+5 °C	+41 °C	
Opslag en gebruiksluchtvochtigheid	30%	70%	

**Technische wijzigingen voorbehouden. Meettolerantie ± 15 mm / 1,5 kg / °**

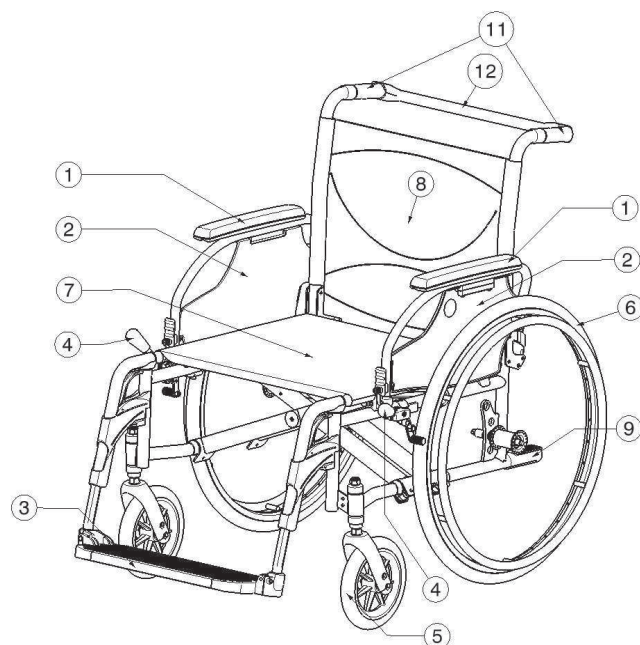
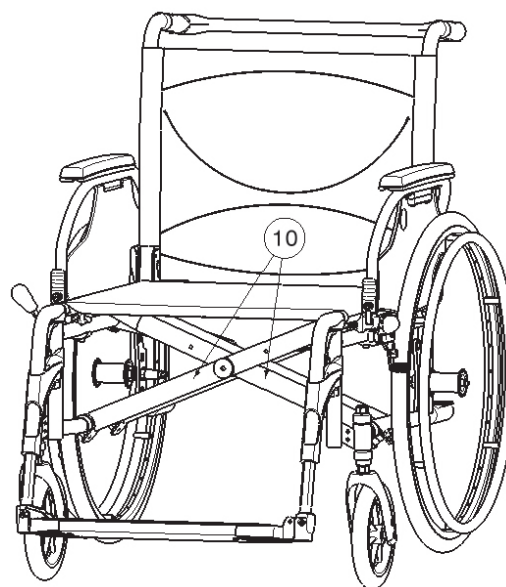
Tabel 1: Technische Specificaties

De rolstoel voldoet aan de eisen gesteld in:

ISO 7176-8: Eisen en testmethodes voor statische, impact en vermoeiing sterktes

ISO 7176-16: Eisen voor brandweerstand

### 1.3 Tekening



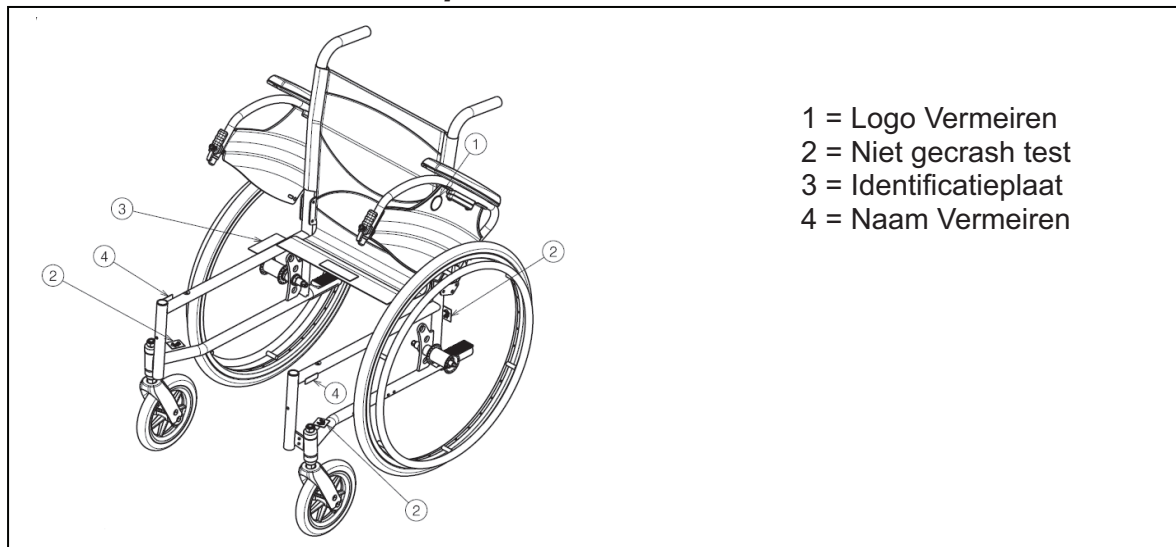
- 1 = Armleggers
- 2 = Armsteunen
- 3 = Voetsteun
- 4 = Remmen
- 5 = Stuurwielen (voorwielen)
- 6 = Aandrijfwielen (achterwielen)
- 7 = Zit
- 8 = Rug
- 9 = Trapdop
- 10 = Kruis
- 11 = Handvaten
- 12 = Duwstang

### 1.4 Accessoires

Volgende accessoires zijn beschikbaar voor de V100 XL:

- Anterior bekkengordel (B20) om te bevestigen aan de tubes van de rug (zie volgens handleiding)
- Anti-tipping apparaat (B78) om te bestiging aan het onderste frame (zie volgens handleiding)

## 1.5 Locatie identificatieplaat



## 1.6 Gebruikte symbolen



Maximum gewicht



Gebruik voor binnen en buiten



Afdaling



Helling



CE conformiteit



Niet gecrash test

## 2 Gebruik

Dit hoofdstuk beschrijft het normaal gebruik. **Deze instructies zijn van toepassing voor de gebruiker en de vakhandelaar.**

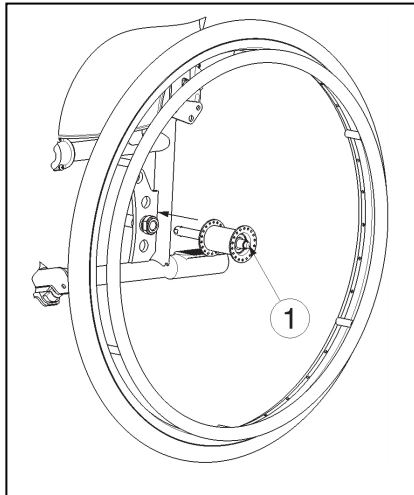
De rolstoel wordt gemonteerd en afgesteld door Uw vakhandelaar. De instructies voor de montage en afstelling van de rolstoel staat in § 3.

### 2.1 Dragen van de rolstoel

De beste manier om de rolstoel te dragen is om gebruik te maken van de wielen en zo de rolstoel verder te rollen.

Als dit niet mogelijk is (bv. wanneer de achterwielen verwijderd zijn voor het transporteren in de auto), grijp de rolstoel stevig vast aan de voorzijde van het frame en de handgrepen. Gebruik de voet of armsteunen of de wielen niet om de rolstoel vast te nemen.

## 2.2 Plaatsen van de achterwielen



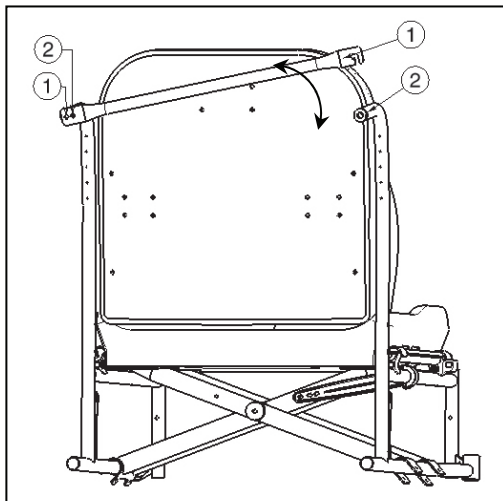
1. Neem het achterwiel en druk naafknop ① in.
2. Houd de naafknop ingedrukt en plaats het achterwiel in de asbus tot deze niet meer verder kan.
3. Laat de naafknop los.
4. Kijk na of het wiel goed vastzit.

## 2.3 Uitvouwen van de rolstoel

**⚠ VOORZICHTIG: Kans op klemmen – Houd vingers niet tussen de onderdelen van de rolstoel.**

1. Ga aan de achterzijde van de rolstoel staan.
2. Gebruik de handgrepen van de duwers om de rolstoel zo ver mogelijk te openen.
3. Ga aan de voorzijde van de rolstoel staan.
4. Duw beide buizen waaraan de zit bevestigd is verder naar beneden.
5. Monteer de duwstang aan de rechtse handgrip (wanneer u achter de rolstoel staat).

## 2.4 Plaatsen of verwijderen van de duwstang



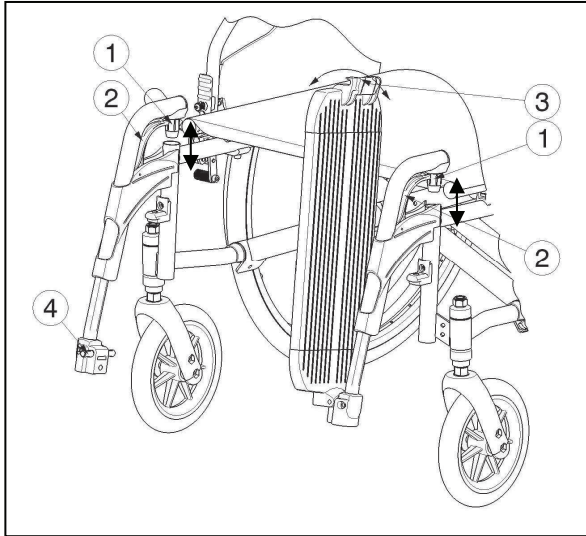
Het plaatsen van de duwstang gaat als volgt:

1. Monteer de duwstang met behulp van de sterknop aan de linkse handgreep.
2. Draai de duwstang naar rechts.
3. Monteer klem ① over de rechtse handgreep ②. Als dit te moeilijk is kan het zijn dat de duwstang te lang is. Plaats boring ② van de duwstang aan de linkse handgreep met behulp van de sterknop.

Om de duwstang te verwijderen gaat U als volgt te werk:

1. Maak de sterknop van de rechtse handgreep los.
2. Verwijder klem ① van de rechtse handgreep ②.

## 2.5 Plaatsen of verwijderen van de voetsteun



Het plaatsen van de voetsteun gaat als volgt:

1. Hou de voetsteun zijdelings aan de buitenkant van de stoel en hang de steun met dop ① in het frame.
2. Zwenk de voetsteun naar binnen tot hij vast klikt.
3. Draai de voetplaat naar beneden tot klem ③ vast klikt over pen ④.

Om de voetsteun af te nemen gaat U als volgt te werk:

1. Maak pen ③ los van klem ④.
2. Draai de voetplaat naar boven.
3. Trek hendel ② omhoog en houdt deze omhoog.
4. Draai de voetsteun naar buiten tot deze uit de geleiding komt.
5. Trek de voetsteun omhoog uit dop ①.

## 2.6 Bedienen van de rem

- ⚠ **WAARSCHUWING:** De rem dient niet om af te remmen tijdens het rijden - Gebruik de rem enkel om te vermijden dat de rolstoel in stilstaande positie wegrolt.
- ⚠ **WAARSCHUWING:** De werking van de handrem wordt beïnvloed door slijtage en vervuiling van de banden (water, olie, slijk, ...) – Controleer voor elk gebruik de staat van de banden.
- ⚠ **WAARSCHUWING:** De rem is instelbaar en kan verlopen – Controleer voor elk gebruik de goede werking van de remmen.

Om de remmen in te schakelen:

1. Druk de hendels van de remmen naar voren tot U een duidelijke klik voelt.
- ⚠ **VOORZICHTIG:** Gevaar op ongecontroleerde beweging – zorg ervoor dat alvorens de remmen los gezet worden, de rolstoel vlak staat. Los nooit beide remmen tegelijk.

Om de remmen uit te schakelen:

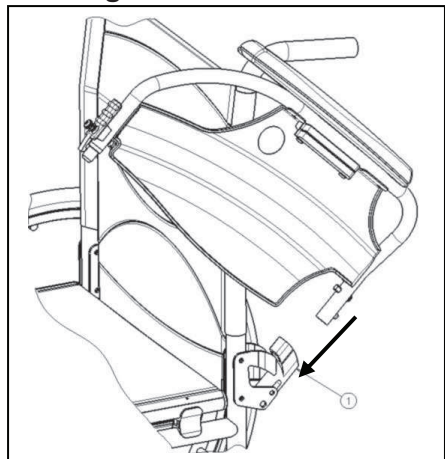
1. Zet eerst één rem los door de hendel naar achteren te trekken.
2. Houd het ongeremde wiel vast aan de hoepel.
3. Los de andere rem door de bedieningsknop naar achteren te trekken.



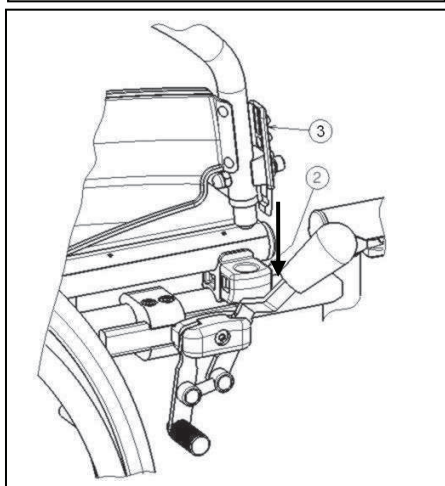
## 2.7 Plaatsen of verwijderen van de armsteunen

De armsteunen van de rolstoel kunnen worden gemonteerd met volgende instructies.

**⚠ VOORZICHTIG: Kans op klemmen – Houd vingers, gespen en kledingstukken weg van de onderkant van de armsteun.**

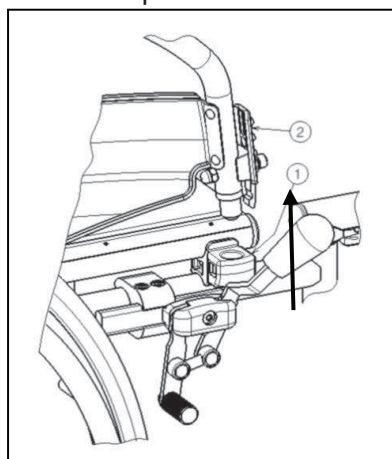


1. Plaats de achterzijde van de armsteun in dop ①.
2. Zorg ervoor dat de armsteun vastklikt in het systeem.
3. Kantel de armsteun naar voor.



4. Plaats de voorzijde van de armsteun in dop ② tot deze vastklikt.

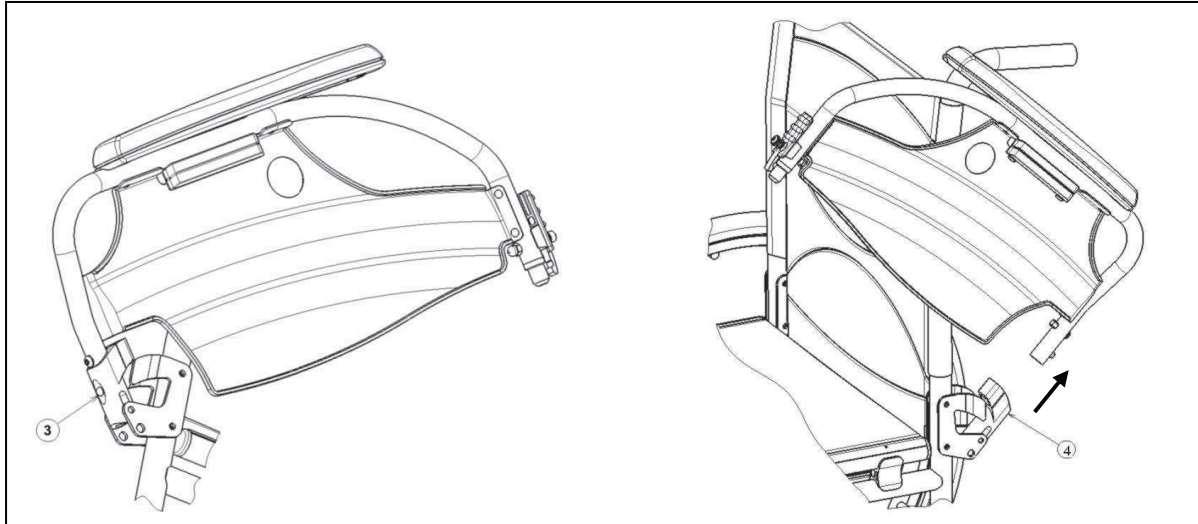
Voor het openen en afnemen van de armsteun gaat U als volgt te werk:



1. Druk op knop ② en trek de voorzijde van de armsteun omhoog.
2. Klap de armsteun naar achter.

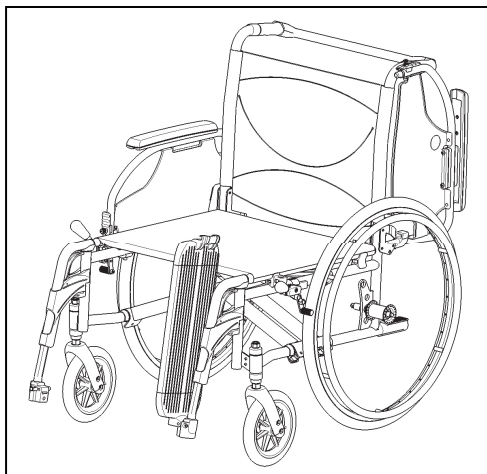


3. Als U de armsteun wilt verwijderen, druk dan op knop ③ en trek de achterzijde van de armsteun uit dop ④.



## 2.8 Transfer in en uit de rolstoel

- ⚠ **VOORZICHTIG:** Indien U de transfer niet veilig op eigen kracht kan doen, vraag dan hulp van iemand anders.
- ⚠ **VOORZICHTIG:** Kans op kantelen van de rolstoel - Niet op de voetplaten staan.



1. Plaats de rolstoel zo dicht mogelijk bij stoel, zetel of bed van/naar waar U zich wilt verplaatsen.
2. Zorg dat beide remmen van de rolstoel aan staan.
3. Klap de voetplaat omhoog zodat U er niet op gaat staan.
4. Indien U zich langs de zijkant in of uit de rolstoel wilt verplaatsen, klap dan de armsteun aan die zijde omhoog. (zie § 2.7)
5. Verplaats U van of naar de rolstoel.

## 2.9 Correcte positie in de rolstoel

Enkele aanbevelingen om comfortabel van Uw rolstoel gebruik te maken:

- Plaats Uw zitvlak zo dicht mogelijk bij de rugleuning.
- Zorg dat Uw bovenbenen horizontaal zijn – Stel eventueel de lengte van de voetsteun bij. (zie § 3.5)

## 2.10 Rijden met de rolstoel

- ⚠ **WAARSCHUWING:** Kans op knellen – Houd Uw vingers niet tussen de spaken.
  - ⚠ **WAARSCHUWING:** Kans op knellen – Let op wanneer U door nauwe doorgangen, zoals deuren, rijdt.
  - ⚠ **WAARSCHUWING:** Gevaar voor brandwonden - Wees voorzichtig bij het rijden in extreem warme of koude omgevingen (zon, extreme kou, sauna's, enz.) voor een bepaalde tijd en bij het aanraken - de oppervlakken kunnen de omgevingstemperatuur aannemen.
1. Zet de remmen los.
  2. Neem de aandrijfhoepels aan de bovenzijde vast.
  3. Leun voorwaarts en draai de hoepels naar voor tot Uw armen gestrekt zijn.
  4. Breng Uw handen terug naar de bovenzijde van de hoepels en herhaal de beweging.

## 2.11 Rijden op hellingen

- ⚠ **WAARSCHUWING:** Houd Uw snelheid onder controle – Neem hellingen steeds met de laagst mogelijke snelheid.
- ⚠ **WAARSCHUWING:** Houd rekening met de capaciteiten van Uw begeleider – Blokkeer de rem van zodra U merkt dat Uw begeleider onvoldoende kracht heeft om de rolstoel onder controle te houden.
- ⚠ **WAARSCHUWING:** Kans op kantelen – Leun voorover om Uw zwaartepunt naar voor te verplaatsen. Zo kan de stabiliteit beter behouden blijven.



1. Bevestig de veiligheidsgordel, als de rolstoel hiermee uitgerust is.
2. Neem geen te steile helling. De maximale hoek bergop en bergaf staat in tabel 1.
3. Vraag een begeleider om U te helpen de helling te nemen.
4. Buig lichtjes voorover om Uw zwaartepunt naar voren te verplaatsen.

## 2.12 Nemen van hindernissen (trottoirs)

### 2.12.1 Afrijden van trottoirs

Het afrijden van een laag trottoir kan voorwaarts gedaan worden. Let hierbij op dat de voetsteun de grond niet raakt.



Het afrijden van lage trottoirs kan door een geoefend gebruiker zelf gedaan worden:

- ⚠ **WAARSCHUWING:** Kantelgevaar – Indien U Uw rolstoel onvoldoende beheerst, vraag hulp van een begeleider.
1. Breng de balans op de achterwielen om de druk op de voorwielen te verminderen.
  2. Neem de hindernis.

Hogere trottoirs kunnen met een begeleider voorwaarts genomen worden:

1. Laat de begeleider de rolstoel lichtjes naar achter kantelen.
2. Rijd op de achterwielen het trottoir af.
3. Zet de rolstoel terug op de vier wielen.



Een geoefend gebruiker kan een hoger trottoir zelf afrijden. Dit kan het best achterwaarts gedaan worden.

1. Draai U met de achterwielen naar het trottoir toe.
2. Leun voorover om het zwaartepunt naar de voorkant van de rolstoel te verplaatsen.
3. Breng de rolstoel naar de rand van de hindernis.
4. Gebruik de hoepels om Uw rolstoel gecontroleerd van het trottoir af te rollen.

## 2.12.2 Oprijden van trottoirs

Trottoirs oprijden kan met begeleider als volgt:



1. Zorg er voor dat de voetsteun het trottoir niet raakt.
2. Laat de begeleider de rolstoel lichtjes achterover kantelen tot er voldoende ruimte onder de voorwielen is om de hindernis te nemen.
3. Leun hierbij een beetje achterover om het zwaartepunt boven de achterwielen te houden.
4. Plaats de voorwielen op het trottoir.
5. Laat de rolstoel op de achterwielen over de hindernis duwen.

Een hoger trottoir kan best achterwaarts genomen worden:

1. Draai de rolstoel met de achterwielen naar het trottoir toe.
2. Leun een beetje achterover en breng het zwaartepunt boven de achterwielen.
3. Laat de begeleider de rolstoel op het trottoir trekken.
4. Neem Uw normale positie in de rolstoel terug aan.

Het oprijden van trottoirs kan door een geoefend gebruiker zelf gedaan worden:

**⚠ WAARSCHUWING: Kantelgevaar – Indien U Uw rolstoel onvoldoende beheerst, vraag hulp van een begeleider.**



1. Rijd tot aan het trottoir.
2. Zorg ervoor dat de voetsteun het trottoir niet raakt.
3. Leun achterover zodat U op de achterwielen balanceert.



4. Rol al balancerend de voorwielen over het trottoir.
5. Leun voorover om meer stabiliteit te hebben.
6. Rol de achterwielen over de hindernis.

### 2.12.3 Nemen van trappen

Het nemen van trappen terwijl U in de rolstoel zit doet U als volgt.

**⚠ WAARSCHUWING: Kantelgevaar – Voor het nemen van trappen zijn altijd 2 begeleiders nodig.**

1. Verwijder de voetsteun.
2. Laat één begeleider de rolstoel lichtjes naar achteren kantelen.
3. De andere begeleider neemt het frame aan de voorzijde vast.
4. Blijf rustig zitten, vermijd plotselinge bewegingen en houd Uw armen binnen de rolstoel.
5. Laat de rolstoel op de achterwielen de treden nemen.
6. Monteer de voetsteun na de hindernis.

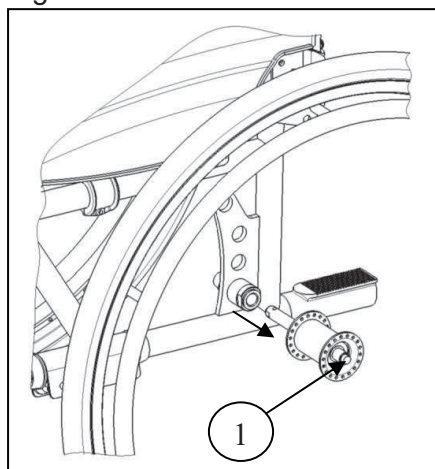
### 2.13 Opvouwen van de rolstoel

**⚠ VOORZICHTIG: Kans op klemmen – Houd vingers niet tussen de onderdelen van de rolstoel.**

1. Klap de voetplaten omhoog, of verwijder ze (zie § 2.5).
2. Draai de duwstang weg van de rechtse handgreep (wanneer U achter de rolstoel staat).
3. Neem de zit aan voor- en achterzijde en trek deze omhoog.

### 2.14 Afnemen van de wielen

Om het transport van de rolstoel te vergemakkelijken, kunnen de achterwielen worden afgenomen:



1. Zorg ervoor dat de remmen afstaan.
2. Neem de rolstoel vast aan het frame aan de zijde waar U het wiel wil afnemen.
3. Druk op de knop ① in het midden van de naaf van het wiel.
4. Trek het wiel van het frame weg.

### 2.15 Transport in de auto

**⚠ GEVAAR: Gevaar voor letsel – De rolstoel is niet geschikt om te gebruiken als een zit in een motorvoertuig.**

**⚠ WAARSCHUWING: Gevaar voor letsel – Zorg er voor dat de rolstoel voldoende vastgemaakt is om verwonding van de inzittenden tijdens aanrijding of plots remmen te voorkomen.**

**⚠ WAARSCHUWING: Gevaar voor letsel – Gebruik voor het vastmaken van de rolstoel en de passagiers NOOIT dezelfde gordel.**

Gebruik de rolstoel nooit als een zit in een auto of ander voertuig. De rolstoel wordt gemarkeerd met het volgende symbool:



Om de rolstoel in de auto te transporteren:

1. Verwijder voetsteun en accessoires.
2. Berg deze veilig weg.
3. Indien mogelijk, vouw de rolstoel op en verwijder de wielen.
4. Plaats de rolstoel in de bagageruimte.
5. Indien de rolstoel en de passagiersruimte NIET gescheiden zijn, sjoer het frame van de rolstoel goed vast aan het voertuig. U kunt hiervoor gebruik maken van de veiligheidsgordels die in het voertuig voorhanden zijn.

## 3 Montage en afstellen

**De in dit hoofdstuk beschreven instructies zijn bestemd voor de vakhandelaar.**

De Vermeiren V100 XL is speciaal ontworpen om te worden afgesteld met een minimum aan te vervangen onderdelen. Zo is er geen extra voorraad nodig van vervangonderdelen.

Om een servicepunt of vakhandelaar in uw buurt te vinden, neemt u contact op met de dichtstbijzijnde Vermeiren faciliteit. Een lijst van de Vermeiren faciliteiten zijn terug te vinden op de laatste bladzijde.

**⚠ WAARSCHUWING: Risico bij onveilige beperkingen - Gebruik enkel de beperkingen beschreven in deze handleiding.**

**⚠ WAARSCHUWING: Variaties van de toelaatbare instellingen kunnen de stabiliteit van Uw rolstoel beïnvloeden (naar achteren of op zij kantelen)**

### 3.1 Gereedschap

Om Uw rolstoel op te bouwen is het volgende gereedschap nodig:

- Steek-/ringsleutel set n° 7 tot n° 22
- Inbussleutel set n° 3 tot n° 8
- Schroevendraaier n° 4 tot n° 5
- Kruiskopschroevendraaier

### 3.2 Leveringsomvang

De Vermeiren V100 XL wordt als volgt geleverd:

- 1 frame gemonteerd met armsteunen, achter- en voorwielen (zithoogte ingesteld op 500 mm)
- 1 voetsteun
- Gereedschap
- Handleiding
- Accessoires

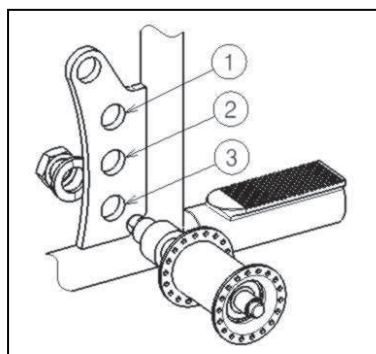
### 3.3 Instellen van de zithoogte

De Vermeiren V100 XL is instelbaar in 3 zithoogtes door de wielen te verstellen. Bij elke hoogte hoort een andere instelling van de voor- en achterwielen.

**⚠ WAARSCHUWING: Het bovenste gat van de asplaat is niet bestemd voor het monteren van de achterassen – Dit gat dient voor het monteren van de optionele trommelrem.**

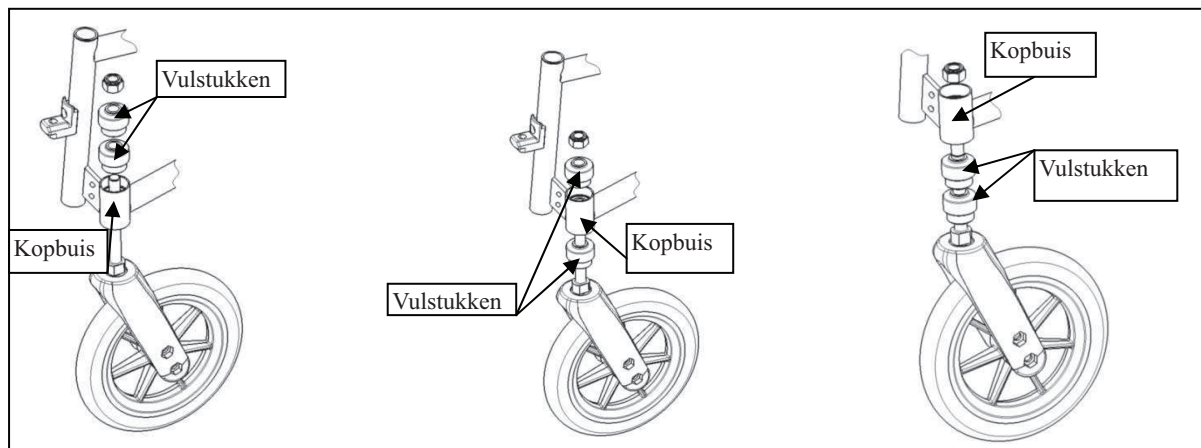
Zithoogte	Achterwielen	Voorwielen
470 mm	Gat 1	Beide vulstukken boven de kopbuis
500 mm (Standaard)	Gat 2	1 vulstuk boven, en 1 onder de kopbuis
530 mm	Gat 3	Beide vulstukken onder de kopbuis

Tabel 2: Zithoogtes



Om de zithoogte te wijzigen gaat U als volgt te werk:

1. Verwijder de achterwielen (zie § 2.14).
2. Schroef de montagebussen van de achterwielen los van de asplaat.
3. Monteer de bussen in het juiste gat van de asplaat, zie Tabel 2.
4. Kijk na of de montagebussen goed vast zitten.



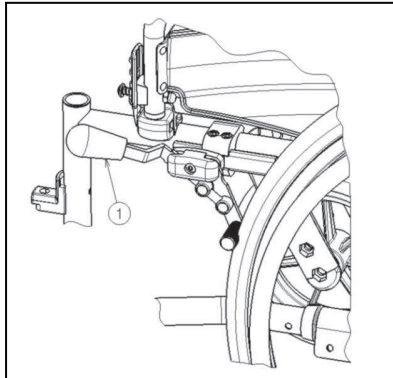
5. Schroef de zwenkassen van de voorwielen los.
6. Plaats de vulstukken volgens Tabel 2.
7. Monteer de zwenkassen van de voorwielen en zet ze vast. Regel de spanning in de zwenkas opdat deze vlot kan draaien, maar geen speling heeft.
8. Plaats de achterwielen.
9. Bij een correcte montage moeten de zwenkassen van de voorwielen haaks op de grond staan. Kijk dit na.
10. Stel de remmen af volgens § 3.4.



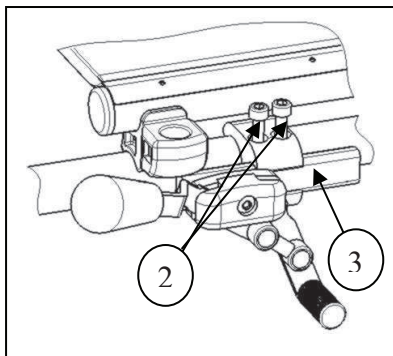
### 3.4 Afstellen van de remmen

**⚠ WAARSCHUWING:** Gevaar voor letsel – Laat de remmen afstellen door een erkend vakhandelaar.

Het afstellen van de remmen doet U als volgt:



1. Monteer de wielen zoals beschreven in § 2.2.
2. Zet de remmen los door hendel ① naar achteren te trekken.

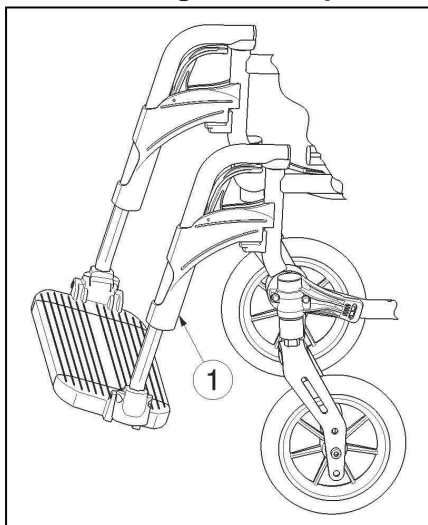


3. Maak bouten ② los zodat het remmechanisme kan schuiven over de geleiding ③.
4. Schuif het remmechanisme over geleiding ③ tot de gewenste positie.
5. Maak bouten ② terug vast.
6. Controleer de werking van de remmen.
7. Indien nodig herhaal voorgaande stappen tot de remmen goed afgesteld staan.

### 3.5 Afstellen van de voetsteun

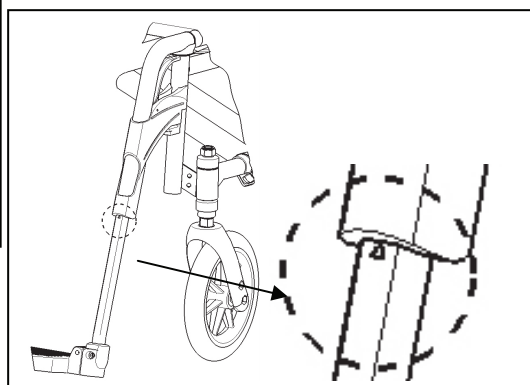
#### 3.5.1 Lengte van de voetsteun

**⚠ VOORZICHTIG:** Kans op beschadiging – Zorg er voor dat de voetsteun niet over de grond sleept. Houd een minimum afstand van 60 mm tot de grond aan.



Om de lengte van de voetsteun te verstellen gaat U als volgt te werk:

1. Draai schroef ① (aan de achterzijde van de voetsteun) los.
2. Verstel de lengte van de voetsteun tot een comfortabele lengte.
3. Draai schroef ① terug vast.



De maximale verstelbare lengte van de voetsteun wordt aangegeven met een driehoek op de buis.



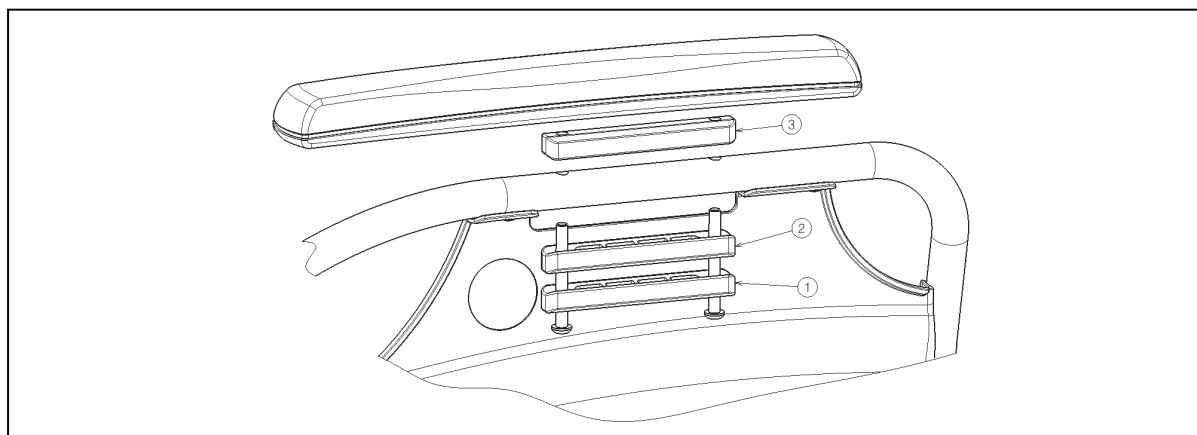
### 3.6 Afstellen van de armsteunen

De armsteunen van Uw rolstoel zijn in te stellen zowel in de hoogte als in de diepte.

De hoogte van de armsteun kan in 3 posities afgesteld worden:

Hoogte armsteun t.o.v. zitvlak	Aantal blokjes onder de buis	Aantal blokjes tussen buis en armlegger
220 mm (Standaard)	2	1
230 mm	1	2
240 mm	0	3

Tabel 4: Hoogte van armsteun



De diepte van de armlegger kan in 3 posities afgesteld worden.

Diepte van de armlegger	Gebruikte gaten
Voorste positie	Achterste en middelste
Midden positie (Standaard)	Gat 2 en 4
Achterste positie	Voorste en middelste

Tabel 5: Diepte van de armlegger

Voor het verstellen van de hoogte en de diepte van de armlegger gaat U als volgt te werk:

1. Schroef beide bouten onder de armlegger los.
2. Plaats het juiste aantal blokjes onder en boven de buis, zie tabel 4.
3. Monteer de armlegger met de gewenste gaten voor de diepte-afstelling.

## 4 Onderhoud

De verwachte levensduur van deze rolstoel bedraagt 8 jaar. De verwachte levensduur van de rolstoel wordt beïnvloed door het gebruik, opslag, regelmatig onderhoud en schoonmaak.

### 4.1 Periodiek Onderhoud

Om Uw Vermeiren rolstoel in goede conditie te houden dient U regelmatig het volgende onderhoud te plegen:

- Voor iedere rit
  - Controleer de staat van de banden en maak schoon of vervang indien nodig.
  - Controleer dat alle schroefverbindingen goed vastzitten.
  - Controleer de staat van de remmen en stel ze opnieuw af indien nodig.
  - Controleer de staat van de rolstoel (netheid, scheuren, schade aan dragende onderdelen, ...) en maak schoon of vervang indien nodig.
- Om de 8 weken: nakijken en eventueel smeren of afstellen van

- Armsteunen
- Voetsteun
- Remhendel
- Wielassen
- Elke 6 maanden of voor elke nieuwe gebruiker
  - Algemeen nazicht
  - Desinfectie
  - Voorwielen, eventueel lagers reinigen

Voor Uw gemak is achteraan deze handleiding een onderhoudsplan voorzien.

Reparaties en het monteren van wisselstukken voor Uw rolstoel mogen enkel door de vakhandelaar uitgevoerd worden.

Enkel door Vermeiren toegelaten wisselstukken mogen gemonteerd worden.

## 4.2 Verpakking en opslag

Om de rolstoel te verpakken of te bewaren dienen volgende instructies gevolgd te worden:

- Alleen in droge ruimte opslagen (tussen +5°C en +4 1°C).
- De relatieve luchtvochtigheid van 30% tot 70%.
- Beschermen door voldoende afdekking of verpakking tegen roest en binnendringen van vreemde voorwerpen (bijv. zout water, zeelucht, zand, stof).
- Alle gedemonteerde onderdelen duidelijk opslaan (eventueel labelen), opdat bij het monteren achteraf geen verwarring met andere producten mogelijk is.
- Alle componenten moeten onbelast worden opgeslagen (geen te zware voorwerpen op de rolstoelonderdelen leggen, nergens tussen klemmen, ...).

## 4.3 Verzorging

### 4.3.1 Zit- en rugkussens

Bij het reinigen van de zit- en rugkussens let op onderstaande punten:

- Reinig de zit- en rugkussens met een doek die met warm water is bevochtigd. Let op dat de zit- en rugkussens niet te vochtig wordt gemaakt.
- Bij hardnekkige vlekken kunt u de bekleding afwassen met een gangbaar fijnwasmiddel.
- Vlekken kunt u verwijderen met een sponsje of een zachte borstel.
- Gebruik geen agressieve reinigingsmiddelen, zoals oplosmiddelen of harde borstels.
- Reinigen met stoom- en/of hogedrukreinigers is niet toegestaan.

### 4.3.2 Kunststof onderdelen

Behandel kunststof onderdelen van de rolstoel met een gangbaar reinigingsmiddel voor kunststof. Gebruik alleen een zachte borstel of zachte spons.

Voorbeelden van kunststof onderdelen zijn armleggers, voetsteun, handvaten, banden, enz..

### 4.3.3 Coatings

Door de hoogwaardige oppervlaktebehandeling is een optimale corrosiebescherming gegarandeerd. Wanneer de coating door krassen e.d. is beschadigd, laat u deze door uw vakhandelaar repareren.

Voor het schoonmaken gebruikt u alleen warm water en algemeen verkrijgbare huishoudelijke reinigingsmiddelen, evenals zachte borstels en doeken. Let op dat er geen vochtigheid in de buizen komt.

Voor de verzinkte onderdelen volstaat meestal schoonwrijven met een droge doek. Moeilijk te verwijderen vuil kunt u best verwijderen met een speciaal reinigingsmiddel voor zink.

#### 4.4 Inspectie

In principe adviseren wij een jaarlijkse inspectie en in ieder geval voor ieder nieuw gebruik. Deze inspectie mag uitsluitend door bevoegde personen worden uitgevoerd. De volgende controles dienen minstens te worden uitgevoerd en gedocumenteerd.

- Controleren van het frame en het kruiswerk op plastische vervorming, scheurtjes en slechte werking.
- Visuele controle op lakschade (corrosiegevaar)
- Functiecontrole van de wielen (vrijloop, rechtlijnigheid, asspeling, banden, profiel, toestand van de velgen, bandenspanning bij luchtbanden, steekassen enz.)
- Controle of de schroefverbindingen goed vastzitten
- Toestand van de smering bij metalen bewegende delen
- Toestand en grip van geleiders en assen bij de stuurwielen
- Visuele controle van alle kunststof onderdelen op scheuren en breekbare punten
- Werking van de armsteunen en voetsteun (vergrendeling, belasting, vervorming, slijtage door belasting).
- Werking van andere afneembare delen (bv. anti-tipping, veiligheidsriem, vaste rugleuning/zit, enz.)
- Volledige levering, gebruiksaanwijzing aanwezig?

Laat het onderhoud alleen in het onderhoudsplan opnemen wanneer minstens de hiervoor vermelde profielen zijn gecontroleerd.

#### 4.5 Desinfecteren

- ⚠ WAARSCHUWING: Gevaarlijke producten - Het gebruik van desinfectiemiddelen is voorbehouden aan bevoegd vakpersoneel.**
- ⚠ WAARSCHUWING: Gevaarlijke producten, kans op huidirritaties - Draag gepaste beschermkledij. Het desinfectiemiddel kan bij contact met de huid irritaties veroorzaken. Volg ook de aanwijzingen op de betreffende oplossingen.**

Alle delen van de rolstoel kunnen worden behandeld met een schuurdesinfectie.

Alle maatregelen ter desinfectie van revalidatiemiddelen, hun componenten of andere accessoires worden bijgehouden in een desinfectiejournaal. Dit journaal bevat minstens de volgende gegevens en wordt bij de betreffende productdocumentatie bewaard:

Datum van desinfectie	Reden	Specificatie	Middel en concentratie	Handtekening
-----------------------	-------	--------------	------------------------	--------------

Tabel 5: Voorbeeld desinfectiejournaal

Afkortingen voor de gegevens in kolom 2 (reden):

V = Vermoeden van infectie      IF = Infectie      W = Nieuw gebruik      I = Inspectie

Voor een blanco invulblad van een desinfectiejournaal zie § 9.

De geadviseerde desinfectiemiddelen voor de schuurdesinfectie (conform RKI-lijst) staan in onderstaande tabel. De actuele stand van de in de RKI-lijst opgenomen desinfectiemiddelen kan worden opgevraagd bij het Robert-Koch-Instituut (RKI) (internetpagina: [www.rki.de](http://www.rki.de)).

Werkzame stof	Productnaam	Was-desinfectie		Oppervlakte-desinfectie (schuur-wisdesinfectie)		Desinfectie van afscheidingen 1 deel braaksel of stoelgang + 2 delen gebr.-verd. of 1 deel urine + 1 deel gebr.-verd.						Werkingsbereik	Fabrikant of leverancier
						Braaksel		Stoelgang		Urine			
		Gebruiks-verdunning	Inwerktijd	Gebruiks-verdunning	Inwerktijd	Gebruiks-verdunning	Inwerktijd	Gebruiks-verdunning	Inwerktijd	Gebruiks-verdunning	Inwerktijd		
		%	uur	%	uur	%	uur	%	uur	%	uur		
Fenol of fenolderivaat	Amocid	1	12	5	6	5	4	5	6	5	2	A	Lysoform
	Gevisol	0,5	12	5	4	5	4	5	6	5	2	A	Schülke & Mayr
	Helipur			6	4	6	4	6	6	6	2	A	B. Braun
	m-Kresolzeep-oplossing (DAB 6)	1	12	5	4							A	
	Phenol	1	12	3	2							A	
Chloor, organ. of anorgan. substanties met actieve chloor	Chloramin-T DAB 9	1,5	12	2,5	2	5	4					A <sup>1</sup> B	
	Clorina	1,5	12	2,5	2	5	4					A <sup>1</sup> B	Lysoform
	Trichlorol	2	12	3	2	6	4					A <sup>1</sup> B	Lysoform
Per-verbindingen	Apesin AP100 <sup>2</sup>			4	4							AB	Tana PROFESSIONAL
	Dismozon pur <sup>2</sup>			4	1							AB	Bode Chemie
	Perform <sup>2</sup>			3	4							AB	Schülke & Mayr
	Wofesteril <sup>2</sup>			2	4							AB	Kesla Pharma
Formaldehyde en/of andere aldehyden of derivaten	Aldasan 2000			4	4							AB	Lysoform
	Antifect FD 10			3	4							AB	Schülke & Mayr
	Antiseptica oppervlakte desinfectie 7			3	6							AB	Antiseptica
	Apesin AP30			5	4							A	Tana PROFESSIONAL
	Bacillocid special			6	4							AB	Bode Chemie
	Buraton 10F			3	4							AB	Schülke & Mayr
	Desomed A2000			3	6							AB	Desomed
	Ontsmettings-reiniger Ziekenhuis			8	6							AB	Dreiturm
	Desomed Perfekt			7	4							AB*	Desomed
	Formaldehyde-oplossing (DAB 10), (formaline)	1,5	12	3	4							AB	
	Incidin Perfekt	1	12	3	4							AB	Ecolab
	Incidin Plus			8	6							A	Ecolab
	Kohrsolin	2	12	3	4							AB	Bode Chemie
	Lysoform	4	12	5	6							AB	Lysoform
	Lysoformin	3	12	5	6							AB	Lysoform
	Lysoformin 2000			4	6							AB	Lysoform
	Melsept	2	12	4	6							AB	B. Braun
	Melsitt	4	12	10	4							AB	B. Braun
	Minutil	2	12	6	4							AB	Ecolab
	Multidor			3	6							AB	Ecolab
	Nüscopept			5	4							AB	Dr. Nüsken Chemie
	Optisept			7	4							AB*	Dr. Schumacher
	Pursept-FD			7	4							AB*	Merz
Ultrasol F	3	12	5	4							AB	Fresenius Kabi	
Amfotere oppervlakteactieve stoffen (amfotensiden)	Tensodur 103	2	12									A	MFH Marienfelde
	Kalkmelk <sup>3</sup>							20	6			A <sup>3</sup> B	

1 Onvoldoende werkzaam tegen mycobacteriën, in het bijzonder in aanwezigheid van bloed bij de oppervlaktedesinfectie.

2 Niet geschikt voor het desinfecteren van merkbare met bloed besmette vlakken of van poreuze oppervlakken (bijv. onbehandeld hout).

3 Onbruikbaar bij tuberculose; bereiding van de kalkmelk: 1 deel opgeloste kalk (calciumhydroxide) + 3 delen water.

\* Effectiviteit tegen virussen gecontroleerd volgens de proefmethode van het RKI [Bundesgesundheitsblatt 38 (1995) 242].

A: Geschikt voor het vernietigen van vegetatieve bacteriële kiemen, inclusief mycobacteriën en van schimmels, inclusief schimmelsporen.

B: Geschikt voor het inactiveren van virussen.

Tabel 6: Desinfectiemiddelen

Voor meer informatie over desinfecteren kunt u contact opnemen met de vakhandelaar. Hij helpt u graag verder.

## 5 Garantie

Uittreksel uit de algemene verkoopvoorwaarden:

(...)

5. De verjaringstermijn voor garantie aanspraken bedraagt 24 maanden. Op grond van onze hoge kwaliteitseisen kunnen wij boven deze basisgarantie de verjaringstermijn voor aanspraken wegens defecten verhogen voor

(...)

-frame en constructie van rolstoelen

4 jaar

Wij zijn niet aansprakelijk voor schade die ontstaat door constructieve wijzigingen aan onze producten, gebrekkig onderhoud, gebrekkige of onoordeelkundige behandeling of bewaring of gebruik van niet-originele wisselstukken. De garantie op slijtagedelen of onderdelen die onderhevig zijn aan een natuurlijk slijtage, is eveneens uitgesloten.

(...)

## 6 Afvalverwerking

Als U de rolstoel wilt wegdoen, stelt U zich in verbinding met de plaatselijke verantwoordelijken of bezorgt U het product terug bij de vakhandel. Deze kan, na hygiënische reiniging, de rolstoel aan de fabrikant terugsturen. De fabrikant kan voor vakkundige verwerking en hergebruik (gescheiden naar grondstof) zorg dragen.

Verpakkingsmateriaal kan bij de betreffende verwerkingsplaatsen en hergebruikinstellingen of bij Uw vakhandelaar afgegeven worden.

## 7 Verklaring van overeenstemming

*De fabrikant of zijn gevolmachtigde vertegenwoordiger :*

N.V. VERMEIREN N.V

**Adres :**

Vermeirenplein 1/15

2920 Kalmthout

België

**verklaart geheel onder zijn eigen verantwoordelijkheid, dat de CE gemarkeerde medische hulpmiddelen :**

Productgroep : Manuele rolstoelen

Merk : Vermeiren

Type : V100 XL

**zijn geklassificeerd als klasse I, volgens bijlage IX MDD 93/42/EEG, regel 1,**

**en vervaardigd zijn in volledige overeenstemming met de onderstaande Europese richtlijnen - inclusief de laatste wijzigingen - en met de nationale wet, die deze richtlijnen organiseert :**

Medische hulpmiddelen richtlijn MDD 93/42/EEG

**en in overeenstemming zijn met de relevante Europese geharmoniseerde normen :**

EN 12182: 1999, EN 12183: 2009

## 8 Onderhoudsplan

Datum	Onderhoud	Opmerkingen	Paraaf
1/1/2012	<i>Smering &amp; algemeen nazicht</i>	<i>geen</i>	

## 9 Desinfectiejournaal

Datum van desinfectie	Reden	Specificatie	Middel en concentratie	Handtekening

Afkortingen voor de gegevens in kolom 2 (reden):

**V** = Vermoeden van infectie

**IF** = Infectie

**W** = Nieuw gebruik

**I** = Inspectie

## 10 Clusteromschrijvingen

De V100 XL met 24 inch achterwielen voldoen voor:

	<p>Transport duw/ hoepelen</p> <p><b>TH</b></p>	<p>Hoepelrolstoel bedoelt voor gebruik in en om huis en op straat. De rolstoel is uitgevoerd met duwhandvatten en kiepvoorziening voor het duwen. De voetsteunen zijn instelbaar. De voetplaat of -platen kunnen door de gebruiker worden weggeklapt voor een transfer. De rolstoel is opvouwbaar, zodat deze in de kofferbak van een auto of in een stationwagen kan worden meegenomen.</p>
-----------------------------------------------------------------------------------	---------------------------------------------------------	----------------------------------------------------------------------------------------------------------------------------------------------------------------------------------------------------------------------------------------------------------------------------------------------------------------------------------------------------------------------------------------------



**Inhalt**

<b>Vorwort .....</b>	<b>2</b>
<b>1 Produktbeschreibung .....</b>	<b>3</b>
1.1 Verwendungszweck .....	3
1.2 Technische Daten .....	4
1.3 Zeichnungen .....	5
1.4 Zubehör .....	5
1.5 Positionstypenschild.....	6
1.6 Zeichenerklärung.....	6
<b>2 Verwendung .....</b>	<b>6</b>
2.1 Transportieren des Rollstuhls .....	6
2.2 Montage der Hinterräder .....	7
2.3 Auseinanderklappen des Rollstuhl .....	7
2.4 An- oder Abbauen der Schiebestange .....	7
2.5 An- oder Abbauen der Fußplatte .....	8
2.6 Betätigen der Bremsen .....	8
2.7 An- oder Abbauen der Armauflagen .....	9
2.8 Setzen in den Rollstuhl.....	10
2.9 Prüfen Sie, ob die Sitzposition korrekt ist.....	10
2.10 Fahren mit dem Rollstuhl.....	10
2.11 Bewegen an Steigungen .....	11
2.12 Überwinden von Stufen und Bordsteinen .....	11
2.13 Zusammenklappen des Rollstuhls.....	13
2.14 Abnehmen der Hinterräder.....	13
2.15 Transport in einem Auto.....	13
<b>3 Zusammenbau und Einstellung.....</b>	<b>14</b>
3.1 Werkzeug.....	14
3.2 Lieferumfang.....	14
3.3 Einstellen der Sitzhöhe.....	14
3.4 Einstellen der Bremsen.....	15
3.5 Einstellen der Fußplatte.....	16
3.6 Einstellen der Armauflage.....	16
<b>4 Wartung.....</b>	<b>17</b>
4.1 Regelmäßige Wartung .....	17
4.2 Verpackung und Lagerung .....	18
4.3 Pflege.....	18
4.4 Inspektion .....	19
4.5 Desinfektion .....	19
<b>5 Garantie.....</b>	<b>21</b>
<b>6 Entsorgung .....</b>	<b>21</b>
<b>7 Übereinstimmungserklärung.....</b>	<b>21</b>
<b>8 Wartungsplan.....</b>	<b>22</b>
<b>9 Desinfektionsbuch.....</b>	<b>22</b>

## Vorwort

Zuerst möchten wir uns für das Vertrauen bedanken, das Sie in uns gesetzt haben, indem Sie sich für einen unserer Rollstühle entschieden haben.

Die Vermeiren-Rollstühle sind das Ergebnis langjähriger Forschung und Erfahrung. In der Entwicklungsphase wurde besonderer Wert auf Bedienerfreundlichkeit und leichte Wartung des Rollstuhls gelegt.

Die zu erwartende Lebensdauer Ihres Rollstuhls von acht Jahren hängt stark von der Wartung und Pflege ab, die für den Rollstuhl aufgewendet wird.

Diese Bedienungsanleitung soll Ihnen helfen, sich mit der Benutzung Ihres Rollstuhls vertraut zu machen.

Das Befolgen der Bedienungsanleitung und der Wartungshinweise bildet einen wesentlichen Teil der Garantiebedingungen.

Diese Bedienungsanleitung spiegelt die neuesten Produktentwicklungen wider. Das Unternehmen Vermeiren behält sich jedoch das Recht vor, Änderungen vorzunehmen. Dabei besteht jedoch keine Verpflichtung, die früher ausgelieferten Modelle anzupassen oder zu ersetzen.

Sollten Sie weitere Fragen haben, so wenden Sie sich bitte an Ihren Fachhändler.

# 1 Produktbeschreibung

## 1.1 Verwendungszweck

Der Rollstuhl ist ausschließlich für den Transport von gehbehinderten oder gehunfähigen Menschen vorgesehen.

In dem Rollstuhl kann eine Person transportiert werden.

Der Rollstuhl kann sowohl im Innen- als auch im Außenbereich eingesetzt werden.

Der Rollstuhlfahrer kann den Rollstuhl entweder selbst antreiben oder von einer zweiten Person geschoben werden.

Die Vielfalt an Ausstattungs- und Zubehörvarianten sowie die modulare Bauweise erlauben den Transport eines Menschen bei Gehbehinderung/Gehunfähigkeit aufgrund von:

- Lähmungen
- Gliedmaßenverlust (Beinamputation)
- Gliedmaßendefekt oder -deformation
- Gelenkkontrakturen oder -schäden
- Herzkrankheiten oder schwachem Blutkreislauf
- Gleichgewichtsstörungen
- Kachexie (Muskelschwund)
- und für ältere Menschen.

Bei der individuellen Versorgung sind außerdem:

- Körpergröße und -gewicht (max. 170 kg)
- körperlicher und geistiger Zustand
- Wohnverhältnisse
- Umgebung

zu beachten.

Ihr Rollstuhl darf nur auf Flächen verwendet werden, auf denen alle vier Räder den Boden berühren und ausreichend Kontakt vorhanden ist, um die Räder gleichmäßig anzutreiben.

Sie sollten die Verwendung des Rollstuhls auf unebenen Flächen (Pflastersteinen usw.), Abhängen, Kurven sowie das Umfahren von Hindernissen (Bordsteinen usw.) üben.

Der Rollstuhl darf nicht als Leiter oder als Transportmittel für schwere oder heiße Objekte verwendet werden.

Wird der Rollstuhl auf Matten, Auslegeware oder Teppichböden verwendet, könnten diese Bodenbeläge beschädigt werden.

Verwenden Sie ausschließlich von Vermeiren genehmigtes Zubehör.

Für Schäden durch nicht oder mangelhaft durchgeführte Wartung oder durch Nichtbeachtung der folgenden Anweisungen übernimmt der Hersteller keine Haftung.

Das Befolgen der Bedienungsanleitung und der Wartungshinweise bildet einen wesentlichen Teil der Garantiebedingungen.

## 1.2 Technische Daten

Die im Folgenden aufgeführten technischen Daten gelten für einen Rollstuhl in der Standardkonfiguration. Wurden eine Fußplatte und/oder eine Armauflage oder anderes Zubehör montiert, ändern sich die in der Tabelle aufgeführten Werte.


<b>Hersteller</b>	Vermeiren		
<b>Adresse</b>	Vermeirenplein 1/15, B-2920 Kalmthout (Belgien)		
<b>Typ</b>	Manueller Rollstuhl		
<b>Modell</b>	V100 XL		
<b>Max. zulässiges Gewicht des Fahrers</b>	170 kg		
			
<b>Beschreibung</b>	<b>Abmessungen</b>		
Effektive Sitzbreite	530 mm	560 mm	600 mm
Gesamtbreite (abhängig von der Sitzbreite)	740 mm	770 mm	810 mm
<b>Beschreibung</b>	<b>Abmessungen Min.</b>	<b>Abmessungen Max.</b>	
Gesamtlänge mit Beinstütze	1060 mm		
Länge zusammengeklappt	1060 mm		
Breite zusammengeklappt	375 mm		
Höhe zusammengeklappt	890 mm	950 mm	
Gesamtgewicht	21,4 kg		
Gewicht des schwersten Teils	13,7 kg		
Gewichte von Teilen, die demontierbar oder abnehmbar sind	<b>Fußplatten:</b> 1,75 kg; <b>Armauflagenträger:</b> 1,80 kg; <b>Hinterräder:</b> 4,05 kg		
Statische Stabilität bergab	7°		
Statisch Stabilität bergauf	9°		
Statische Stabilität seitwärts	18°		
Überfahren von Hindernissen	60 mm		
Winkel der Sitzebene	5°		
Effektive Sitztiefe	490 mm		
Höhe der Sitzoberfläche an der Vorderkante	470 mm	530 mm	
Rückenlehnenwinkel	5°		
Rückenlehnenhöhe	380 mm		
Abstand zwischen Fußplatte und Sitz	450 mm		
Winkel zwischen Sitz und Fußplatte	10°		
Abstand zwischen Armauflage und Sitz	220 mm	240 mm	
Vordere Höhe der Armauflagenstruktur	410 mm		
Greifreifendurchmesser	535 mm		
Horizontale Lage der Achse (Deflektion)	20 mm		
Kleinster Wenderadius	1616 mm		
Durchmesser der Krypton PU-Hinterräder	22"	24"	
Reifendruck, Hinterräder (Antriebsräder)	max. 3,5 bar		
Durchmesser der Krypton PU-Lenkräder	200 mm		
Reifendruck, Lenkräder	max. 2,5 bar		
Temperaturbereich für Lagerung und Nutzung	+ 5 °C	+ 41 °C	
Luftfeuchtigkeitsbereich für Lagerung und Nutzung	30%	70%	
<b>Technische Änderungen vorbehalten. Messtoleranzen ± 15 mm / 1,5 kg / °</b>			

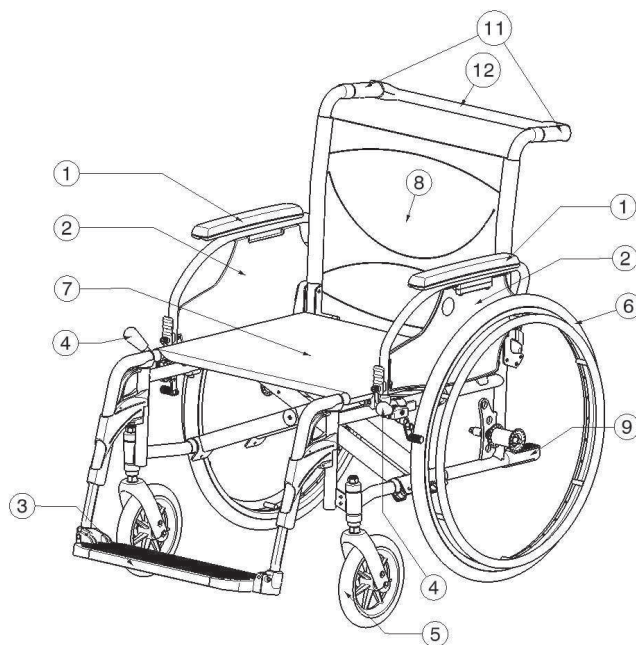
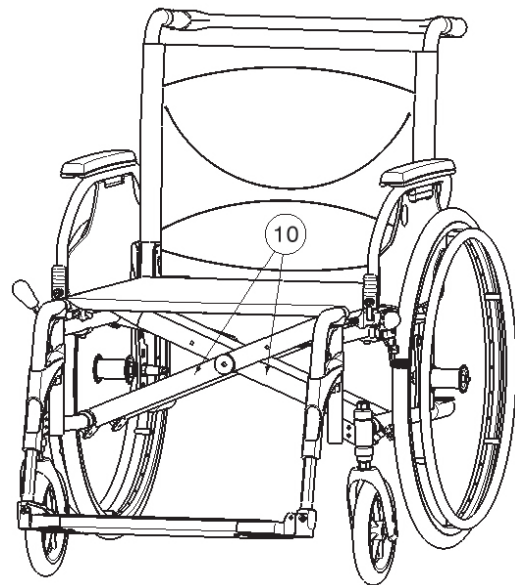
Tabelle 1: Technische Daten

Der Rollstuhl entspricht den Anforderungen der folgenden Normen:

ISO 7176-8: Anforderungen und Prüfungen für statische Festigkeit, Stoßfestigkeit und Dauerfestigkeit.

ISO 7176-16: Beständigkeit gegen Entzündung von gepolsterten Teilen

### 1.3 Zeichnungen



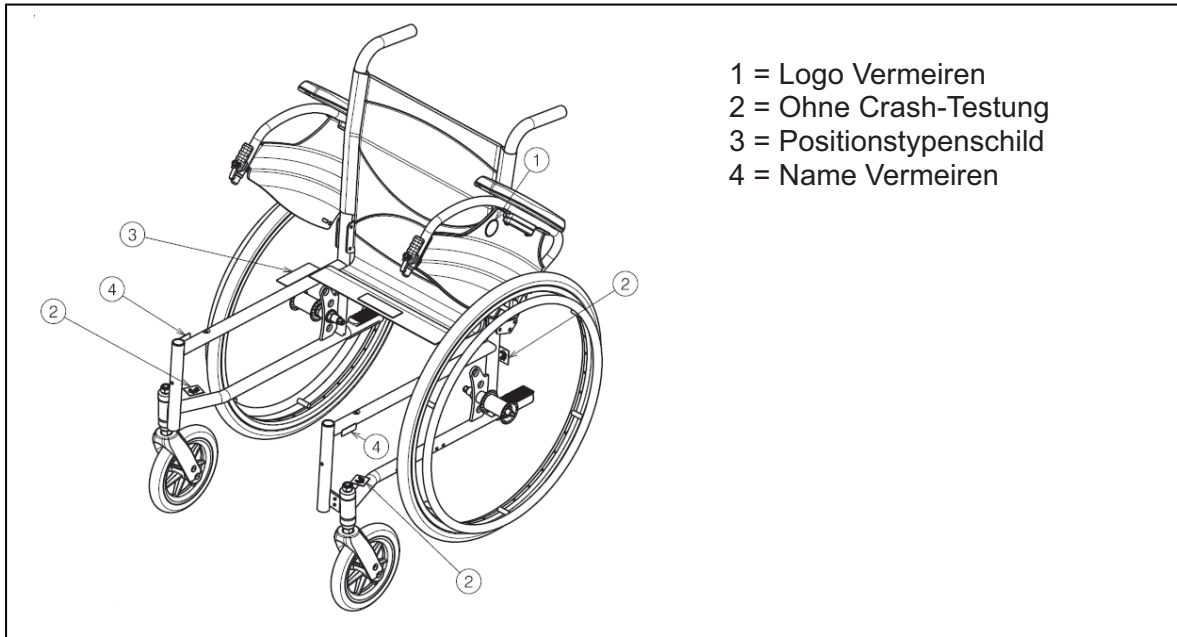
- 1 = Armauflagen
- 2 = Armauflagenträger
- 3 = Fußplatte
- 4 = Bremsen
- 5 = Lenkräder (Vorderräder)
- 6 = Antriebsräder (Hinterräder)
- 7 = Sitz
- 8 = Rückenlehne
- 9 = Kipphilfe
- 10 = Schere
- 11 = Handgriffe
- 12 = Schiebestange

### 1.4 Zubehör

Für den V100 XL ist das folgende Zubehör erhältlich:

- Vorderer Beckengurt (B20) zur Befestigung an den Rohren der Rückenlehne (siehe entsprechendes Handbuch)
- Anti-Kippvorrichtung (B78) zur Befestigung am unteren Rahmen (siehe entsprechendes Handbuch)

## 1.5 Positionstypenschild



## 1.6 Zeichenerklärung



Max. Gewicht



Innen- und Außenbereich



Hangabwärts



Hangaufwärts



CE Konformität



Ohne Crash-Testung

## 2 Verwendung

In diesem Kapitel wird die tägliche Verwendung beschrieben. **Diese Anweisungen richten sich an den Benutzer und an den Fachhändler.**

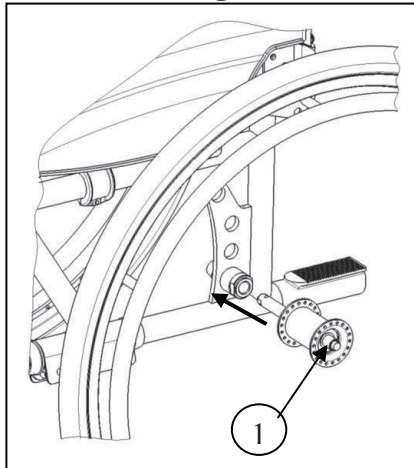
Der Rollstuhl wird Ihnen vollständig aufgebaut von Ihrem Fachhändler geliefert. Anweisungen für den Fachhändler, wie der Rollstuhl zusammengebaut und eingerichtet wird, befinden sich in § 3.

### 2.1 Transportieren des Rollstuhls

Am besten lässt sich der Rollstuhl transportieren, indem die Räder verwendet und der Rollstuhl geschoben wird.

Sollte dies nicht möglich sein (beispielsweise wenn die Hinterräder für den Transport in einem Auto abgenommen wurden), greifen Sie den Rahmen fest an der Vorderseite und an den Griffen. Greifen Sie den Rollstuhl nicht an den Fuß- oder Armstützen oder den Rädern.

## 2.2 Montage der Hinterräder



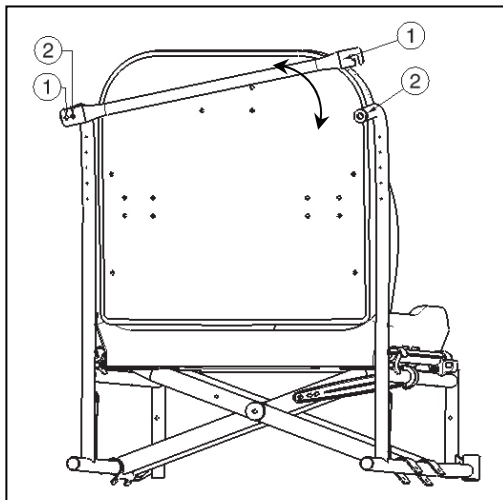
1. Nehmen Sie das Hinterrad in die Hand und drücken Sie auf den Arretierstift ①.
2. Halten Sie den Arretierstift gedrückt und schieben Sie das Hinterrad bis zum Anschlag auf die Achse.
3. Lassen Sie den Arretierstift los.
4. Prüfen Sie, ob die Räder sicher auf der Achse sitzen.

## 2.3 Auseinanderklappen des Rollstuhl

**⚠ VORSICHT: Klemmgefahr – Halten Sie Ihre Finger fern von sich bewegenden Teilen des Rollstuhls.**

1. Stellen Sie sich hinter den Rollstuhl.
2. Ziehen Sie den Rollstuhl an den Handgriffen so weit wie möglich auseinander.
3. Stellen Sie sich vor den Rollstuhl.
4. Drücken Sie mit den Händen auf die Rohre an den Seiten der Sitzfläche, bis sie in ihren Positionen einrasten.
5. Montieren Sie die Schiebbestange am rechten Handgriff (stellen Sie sich dabei hinter den Rollstuhl).

## 2.4 An- oder Abbauen der Schiebbestange



Die Schiebbestange wird wie folgt montiert:

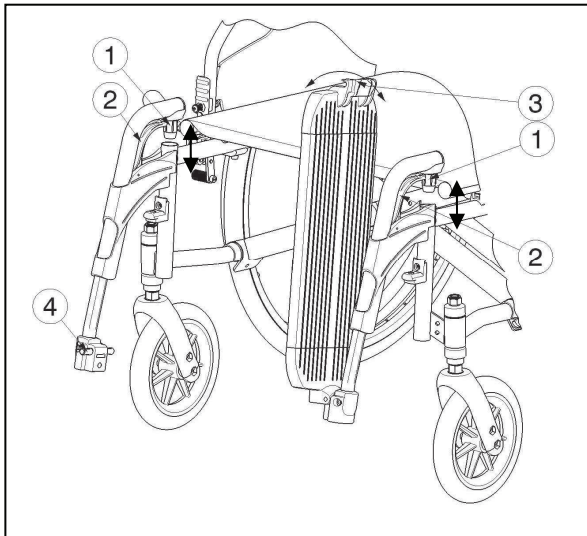
1. Setzen Sie die Schiebbestange mit dem Sterngriff in den linken Handgriff.
2. Drücken Sie die Schiebbestange nach rechts.
3. Setzen Sie die Klemme ① über den rechten Handgriff ②. Treten hierbei Probleme auf, ist die Schiebbestange wahrscheinlich zu lang. Setzen Sie die Schiebbestange am linken Handgriff mit dem Sterngriff in die Bohrung ②.

So bauen Sie die Schiebbestange ab:

1. Lösen Sie den Sterngriff am rechten Handgriff.
2. Entfernen Sie die Klemme ① vom rechten Handgriff ②.



## 2.5 An- oder Abbauen der Fußplatte



Die Fußplatte wird wie folgt montiert:

1. Halten Sie die Fußplatte seitlich an der Außenseite des Rollstuhlrahmens und stecken Sie das Rohr ① in die Aufnahme am Rahmen.
2. Schwenken Sie die Fußplatte nach innen, bis sie in der Endposition einrastet.
3. Schwenken Sie die Fußplatte nach unten, bis die Clips ③ über dem Stift ④ einrasten.

So bauen Sie die Fußplatte ab:

1. Lösen Sie den Clip ③ vom Stift ④.
2. Schwenken Sie die Fußplatte nach oben.
3. Ziehen Sie am Griff ②.
4. Schwenken Sie die Fußplatte zur Außenseite des Rollstuhls, bis sie von der Führung gelöst ist.
5. Ziehen Sie die Fußplatte aus dem Rahmen ①.

## 2.6 Betätigen der Bremsen

- ⚠ **WARNUNG:** Die Bremsen dienen nicht dazu, die Bewegung des Rollstuhls abzubremesen – sie dienen ausschließlich dazu, unbeabsichtigte Bewegungen des Rollstuhls zu verhindern.
- ⚠ **WARNUNG:** Die ordnungsgemäße Funktion der Bremsen kann durch Verschleiß oder Schmutz (auch Wasser, Öl, Schlamm usw.) beeinträchtigt werden. Überprüfen Sie daher vor jeder Rollstuhlnutzung den Zustand der Reifen.
- ⚠ **WARNUNG:** Die Bremsen sind einstellbar und können verschleifen. Überprüfen Sie daher vor jeder Rollstuhlnutzung den Zustand der Bremsen.

So betätigen Sie die Bremsen:

1. Drücken Sie die Bremshebel nach vorn, bis sie ein deutliches Klicken fühlen.

- ⚠ **VORSICHT:** Gefahr einer unbeabsichtigten Bewegung. Achten Sie darauf, dass der Rollstuhl auf einer flachen, horizontalen Fläche steht, bevor Sie die Bremsen lösen. Lösen Sie niemals beide Bremsen gleichzeitig.

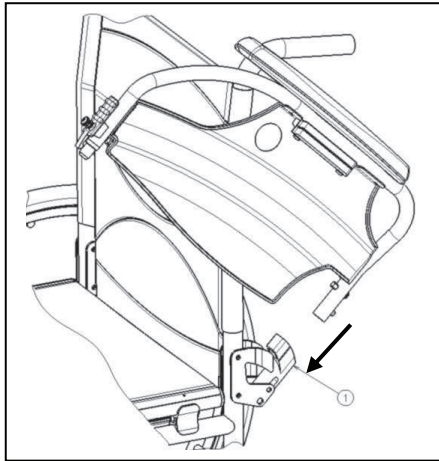
So lösen Sie die Bremsen:

1. Lösen Sie eine Bremse, indem Sie den Griff nach hinten ziehen.
2. Fassen Sie den Greifreifen des Rads mit der gelösten Bremse mit Ihrer Hand.
3. Lösen Sie die zweite Bremse, indem Sie den Griff nach hinten ziehen.

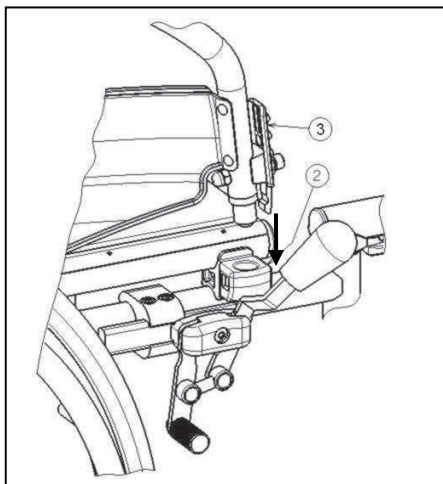
## 2.7 An- oder Abbauen der Armauflagen

Die Armauflagen des Rollstuhl können durch folgende Hinweise angebaut werden.

**⚠ VORSICHT: Klemmgefahr – Halten Sie Ihre Finger, Schnallen oder Kleidungsstücke fern von der Unterseite der Armauflage.**

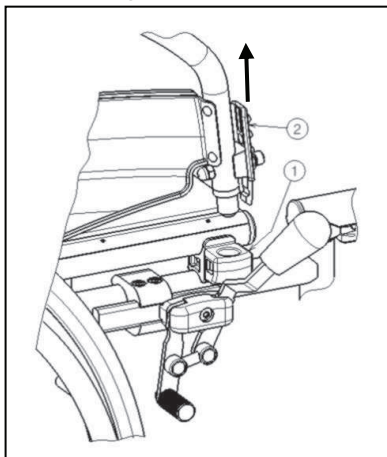


1. Schieben Sie das hintere Rohr der Armauflage in die Rohraufnahme ①.
2. Achten Sie darauf, dass die Armauflage vollständig in den Verriegelungsmechanismus einrastet.
3. Klappen Sie die Armauflage nach vorne.



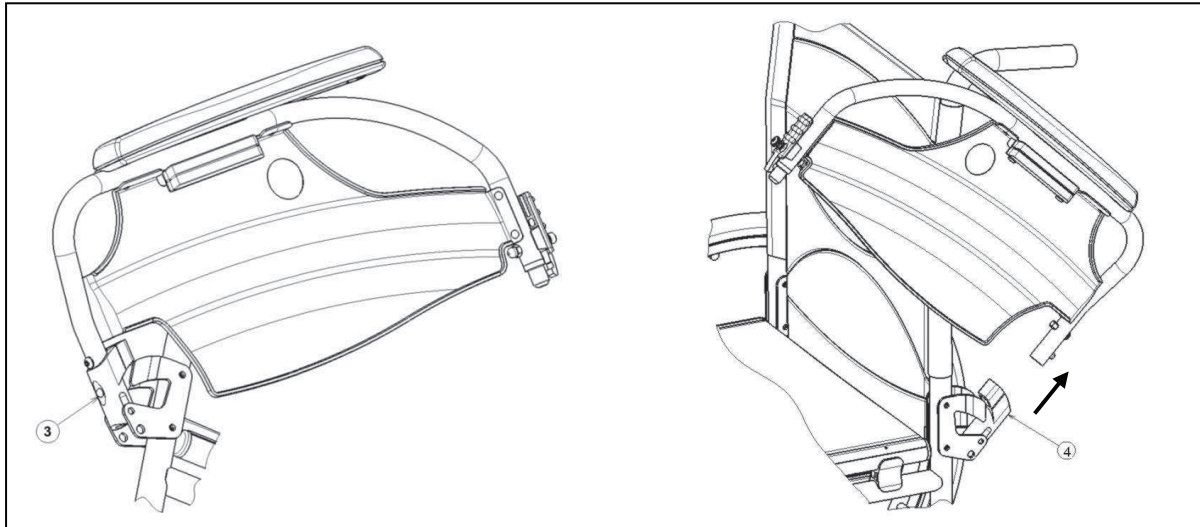
4. Schieben Sie das vordere Rohr der Armauflage in die Rohraufnahme ②.

So entriegeln Sie eine Armauflage und bauen sie ab:



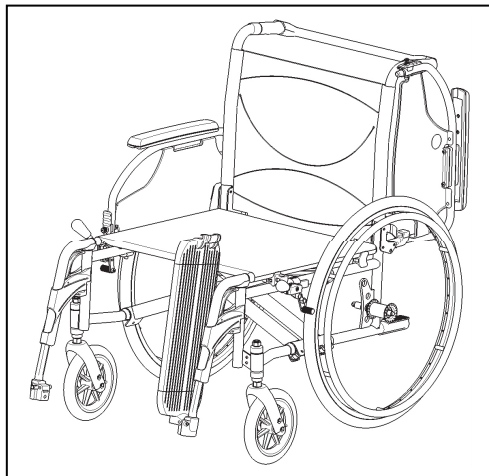
1. Drücken Sie den Hebel ② und ziehen Sie die Vorderseite der Armauflage nach oben.
2. Klappen Sie die Armauflage nach hinten.

3. Zum Abbauen der Armauflage drücken Sie den Knopf ③ und ziehen den hinteren Teil der Armauflage aus der Aufnahme ④.



## 2.8 Setzen in den Rollstuhl

- ⚠ **VORSICHT:** Falls Sie sich nicht allein sicher in den Rollstuhl setzen können, bitten Sie jemanden um Hilfe.
- ⚠ **VORSICHT:** Kipprisiko des Rollstuhls – nicht auf die Fußplatten stellen.



1. Stellen Sie den Rollstuhl so nahe wie möglich an den Stuhl, die Couch oder das Bett, von dem Sie zum Rollstuhl wechseln möchten.
2. Achten Sie darauf, dass beide Bremsen des Rollstuhls betätigt sind.
3. Klappen Sie die Fußplatten nach oben, damit Sie sich nicht versehentlich darauf stellen.
4. Wenn Sie sich von der Seite in den Rollstuhl setzen, klappen Sie die Armauflage an der entsprechenden Seite nach oben. (Siehe § 2.7)
5. Setzen Sie sich in den Rollstuhl.

## 2.9 Prüfen Sie, ob die Sitzposition korrekt ist.

Einige Empfehlungen für die komfortable Verwendung des Rollstuhls:

- Setzen Sie sich möglichst weit nach hinten, so dass Ihr Rücken an der Rückenlehne anliegt.
- Achten Sie darauf, dass Ihre Oberschenkel möglichst horizontal stehen. Gegebenenfalls müssen Sie die Länge der Fußplatte einstellen. (Siehe § 3.5)

## 2.10 Fahren mit dem Rollstuhl

- ⚠ **WARNUNG:** Klemmgefahr – Halten Sie Ihre Finger von den Radspeichen fern.
- ⚠ **WARNUNG:** Klemmgefahr – Seien Sie in engen Durchfahren (z. B. Türen) vorsichtig.
- ⚠ **WARNUNG:** Verletzungsgefahr – Achten Sie darauf, dass Sie das Gerät keinen extremen Temperaturen aussetzen (Sonnenschein, extreme Kälte, Sauna etc.), da sich die verwendeten Materialien den Umgebungstemperaturen angleichen, was bei Berührung zu Verletzungen führen kann - Umgebungstemperaturen können Oberflächen verändern.

1. Lösen Sie die Bremsen.
2. Legen Sie beide Hände an die oberste Position des Greifreifens.
3. Lehnen Sie sich nach vorn und drücken Sie die Greifreifen nach vorn, bis beide Arme gerade sind.
4. Schwingen Sie Ihre Arme lose zurück an die Oberkante der Greifreifen und wiederholen Sie die Bewegung.

## 2.11 *Bewegen an Steigungen*

- ⚠ **WARNUNG:** Kontrollieren Sie Ihre Geschwindigkeit – Bewegen Sie sich an Steigungen so langsam wie möglich.
- ⚠ **WARNUNG:** Berücksichtigen Sie die Kräfte Ihres Helfers – Wenn Ihr Helfer nicht stark genug ist, den Rollstuhl zu kontrollieren, betätigen Sie die Bremsen.
- ⚠ **WARNUNG:** Kippgefahr – Lehnen Sie sich nach vorn, um Ihren Schwerpunkt nach vorne zu verlagern. So sorgen Sie für bessere Stabilität.



1. Falls Ihr Rollstuhl mit einem Sicherheitsgurt ausgestattet ist, sollten Sie ihn stets anlegen.
2. Versuchen Sie nicht, zu steile Steigungen hinauf zu fahren. Die maximalen Steigungswinkel (sowohl auf- als auch abwärts), sind in Tabelle 1 aufgeführt.
3. Bitten Sie einen Helfer, Sie beim Hinauffahren der Steigung zu unterstützen.
4. Lehnen Sie sich nach vorn, um Ihren Schwerpunkt nach vorne zu verlagern.

## 2.12 *Überwinden von Stufen und Bordsteinen*

### 2.12.1 *Hinunterfahren von Stufen und Bordsteinen*

Stufen und Bordsteine können vorwärts überwunden werden. Achten Sie darauf, dass die Fußplatten den Boden nicht berühren.



Ein geübter Fahrer kann Stufen und Bordsteine problemlos allein hinunterfahren:

- ⚠ **WARNUNG:** Kippgefahr – Falls Sie noch unerfahren im Umgang mit dem Rollstuhl sind, lassen Sie sich helfen.

1. Verlagern Sie das Gewicht auf die Hinterräder, um die Vorderräder zu entlasten.
2. Fahren Sie den Bordstein hinunter.

Auch höhere Bordsteine können mit einem Helfer vorwärts überwunden werden:

1. Bitten Sie den Helfer, den Rollstuhl etwas nach hinten zu kippen.
2. Fahren Sie den Bordstein hinunter, während Sie die Hinterräder bewegen.
3. Setzen Sie den Rollstuhl wieder auf alle vier Räder.



Ein erfahrener Fahrer kann auch höhere Bordsteine alleine überwinden. Die erfolgt dann am besten rückwärts.

1. Drehen Sie den Rollstuhl so, dass die Hinterräder zum Bordstein stehen.
2. Lehnen Sie sich nach vorn, um Ihren Schwerpunkt nach vorne zu verlagern.
3. Bewegen Sie den Rollstuhl so nach wie möglich an den Bordstein.
4. Drücken Sie vorsichtig am Greifreifen, um den Rollstuhl langsam den Kantstein hinunterfahren zu lassen.

## 2.12.2 Hinauffahren von Stufen und Bordsteinen

So überwinden Sie Stufen oder Bordsteine mit einem Helfer:



1. Achten Sie darauf, dass die Fußplatten den Bordstein nicht berühren.
2. Bitten Sie den Helfer, den Rollstuhl gerade so weit nach hinten zu kippen, dass die Vorderräder über dem Bordstein stehen.
3. Lehnen Sie sich nach hinten, um Ihren Schwerpunkt nach hinten über die Hinterräder zu verlagern.
4. Setzen Sie die Vorderräder auf den Bordstein.
5. Rollen Sie die Hinterräder des Rollstuhls über den Bordstein.

Höhere Bordsteine können Sie rückwärts überwinden:

1. Drehen Sie den Rollstuhl so, dass die Hinterräder zum Bordstein stehen.
2. Lehnen Sie sich nach hinten, und bringen Sie den Schwerpunkt über die Hinterräder.
3. Bitten Sie den Helfer, den Rollstuhl über den Bordstein zu ziehen.
4. Nehmen Sie wieder die normale Position auf dem Rollstuhl ein.

Ein erfahrener Fahrer kann auch höhere Bordsteine alleine überwinden:

**⚠️ WARNUNG: Kippgefahr – Wenn Sie noch unerfahren in der Handhabung eines Rollstuhls sind, lassen Sie sich von einer zweiten Person helfen.**



1. Fahren Sie bis an den Bordstein heran.
2. Achten Sie darauf, dass die Fußplatten den Bordstein nicht berühren.
3. Lehnen Sie sich nach hinten, um den Schwerpunkt auf die Hinterräder zu verlagern.



4. Rollen Sie die Vorderräder vorsichtig über den Bordstein.
5. Lehnen Sie sich nach vorn, um mehr Stabilität zu erhalten.
6. Rollen Sie die Hinterräder über den Bordstein.

## 2.12.3 Überwinden von Treppen

Auch eine Treppe kann mit einem Rollstuhl überwunden werden, wenn die folgenden Regeln beachtet werden:

**⚠️ WARNUNG: Kippgefahr – Treppen sollten immer mit zwei Helfern überwunden werden.**

1. Bauern Sie die Fußplatten ab.
2. Ein Helfer kippt den Rollstuhl etwas nach hinten.
3. Der zweite Helfer fasst den Rollstuhl am vorderen Rahmen.
4. Bleiben Sie ruhig, vermeiden Sie plötzliche Bewegungen, und halten Sie die Arme am Körper.
5. Überwinden Sie die Stufen mit den Hinterräder des Rollstuhls.
6. Bauen Sie die Fußplatten nach dem Überwinden der Treppe wieder am Rollstuhl an.

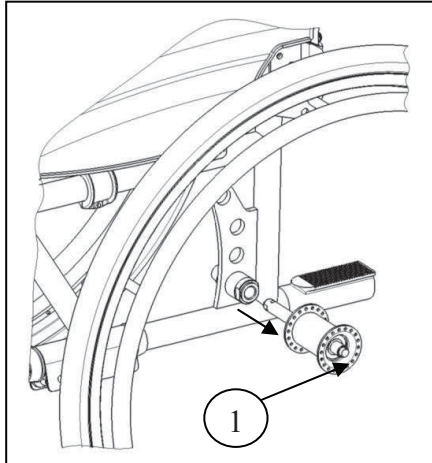


## 2.13 Zusammenklappen des Rollstuhls

**⚠ VORSICHT: Quetschgefahr – Achten Sie beim Zusammenklappen des Rollstuhls auf Ihre Finger.**

1. Klappen Sie die Fußplatten ein oder bauen Sie sie ab (siehe § 2.5).
2. Schwenken Sie die Schiebestange vom rechten Handgriff weg (stellen Sie sich dabei hinter den Rollstuhl).
3. Fassen Sie den Sitz an der vorderen und hinteren Seite und ziehen Sie die Sitzfläche nach oben.

## 2.14 Abnehmen der Hinterräder



Für eine einfacheren Transport des Rollstuhls können die Hinterräder abgenommen werden:

1. Stellen Sie sicher, dass die Bremsen gelöst sind.
2. Drehen Sie die Seite des Rollstuhls zu sich, an der Sie das Rad abnehmen möchten.
3. Drücken Sie den Arretierstift ① in der Mitte der Radnabe.
4. Ziehen Sie das Rad vom Rahmen ab.

## 2.15 Transport in einem Auto

**⚠ ACHTUNG: Der Rollstuhl ist nicht als Transportsitz in einem Kraftfahrzeug zu verwenden.**

**⚠ WARNUNG: Verletzungsgefahr – Achten Sie darauf, den Rollstuhl ordnungsgemäß zu befestigen. So vermeiden Sie Verletzungen der Fahrzeuginsassen bei einer Kollision oder einem plötzlichen Bremsmanöver.**

**⚠ WARNUNG: Verletzungsgefahr – Verwenden Sie zum Sichern des Rollstuhls und des Fahrzeuginsassens NIEMALS den gleichen Sicherheitsgurt.**

Nutzen Sie Ihren Rollstuhl nicht als Sitz in einem PKW oder anderen Fahrzeugen. Daher ist der Rollstuhl mit folgendem Symbol gekennzeichnet.



Um den Rollstuhl in einem PKW zu transportieren beachten Sie die folgenden Schritte:

1. Bauen Sie die Fußplatte und evtl. vorhandenes Zubehör ab.
2. Bewahren Sie die Fußplatte und das Zubehör an einem sicheren Ort auf.
3. Wenn möglich, klappen Sie den Rollstuhl zusammen und bauen Sie die Hinterräder ab.
4. Transportieren Sie den Rollstuhl nach Möglichkeit im Kofferraum oder Gepäckraum.
5. Wenn der Gepäckraum und der Fahrgastraum NICHT voneinander getrennt sind, befestigen Sie den Rahmen des Rollstuhls sicher am Fahrzeug. Sie können hierzu verfügbare Sicherheitsgurte im Fahrzeug verwenden.

## 3 Zusammenbau und Einstellung

**Die Anweisungen in diesem Kapitel richten sich an den Fachhändler.**

Der Vermeiren V100 XL wurde so konzipiert, dass er optimal verstellt werden kann und nur ein Minimum an Ersatzteilen erfordert. Daher ist es nicht erforderlich, dass ein spezieller Vorrat an Ersatzteilen angelegt wird.

Um einen Fachhändler in Ihrer Nähe zu finden, stehen Ihnen unsere Niederlassungen gerne zur Verfügung. Eine Auflistung aller Vermeiren Niederlassungen finden Sie auf der letzten Seite dieser Gebrauchsanweisung.

- ⚠️ WARNUNG: Nutzen Sie das Produkt nur gemäß den technischen Vor- und Angaben dieser Gebrauchsanweisung.**
- ⚠️ WARNUNG: Änderungen an den zulässigen Einstellungen können die Stabilität des Rollstuhls verändern (Kippen nach hinten oder zur Seite).**

### 3.1 Werkzeug

Für die Montage des Rollstuhl und für Einstellungen werden die folgenden Werkzeuge benötigt:

- Schraubenschlüsselsatz Größe 7 bis 22
- Inbusschlüsselsatz Größe 3 bis 8
- Schlitzschraubendreher Größe 4 bis 5
- Kreuzschlitzschraubendreher

### 3.2 Lieferumfang

Der Lieferumfang des Vermeiren V100 XL umfasst:

- 1 Rahmen mit Armauflagen, Hinterrädern und Vorderrädern (Sitzhöhe von 500 mm)
- 1 Fußplatte
- Werkzeug
- Handbuch
- Zubehör

### 3.3 Einstellen der Sitzhöhe

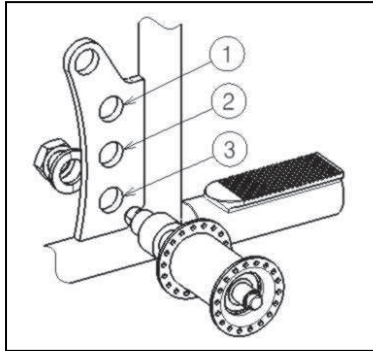
Die Sitzhöhe des Vermeiren V100 XL kann durch Ändern der Radposition dreifach verstellt werden. Bei jeder Sitzhöhe gilt eine andere Einstellung für die Vorder- und Hinterräder.

- ⚠️ WARNUNG: Die oberste Bohrung an der Achsplatte dient nicht zur Aufnahme der Hinterachse. Diese Bohrung dient zur Befestigung der Trommelbremse.**

Sitzhöhe	Hinterrad	Lenkrad
470 mm	Bohrung 1	Beide Buchsen oberhalb der Fußrollenaufnahme
500 mm (Standard)	Bohrung 2	Eine Buchse oberhalb, die andere unterhalb der Fußrollenaufnahme
530 mm	Bohrung 3	Beide Buchsen unterhalb der Fußrollenaufnahme

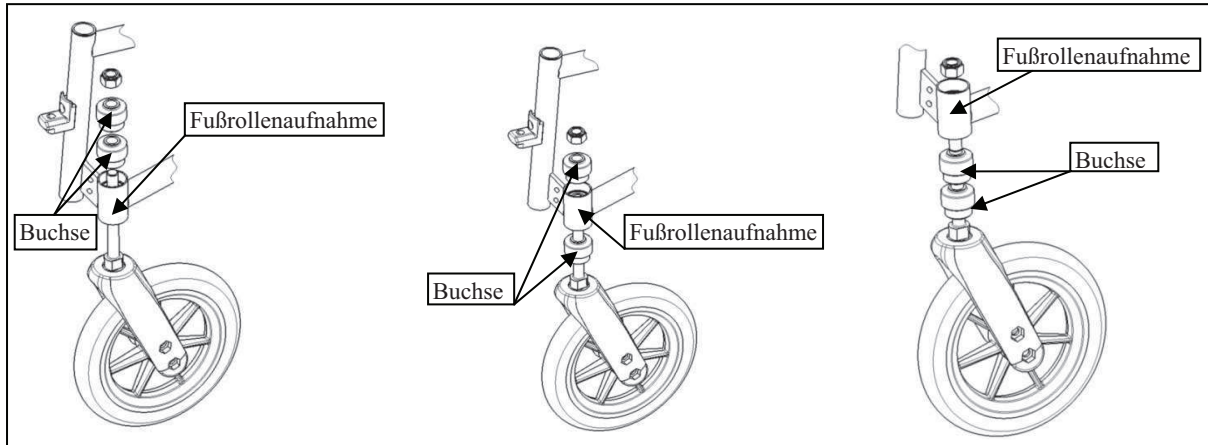
*Tabelle 2: Sitzhöhe*





So ändern Sie die Sitzhöhe:

1. Bauen Sie die Hinterräder ab (siehe § 2.14).
2. Schrauben Sie die Achsbuchsen der Hinterräder von der Achsplatte ab.
3. Montieren Sie die Achsbuchsen in der richtigen Bohrung der Achsplatte (siehe Tabelle 2).
4. Überprüfen Sie, ob die Achsbuchsen festgezogen sind.

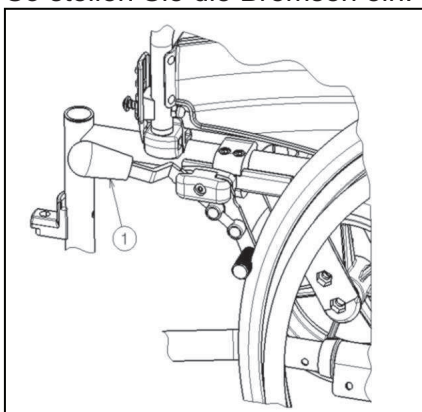


5. Lösen Sie die Steckachsen der Vorderräder.
6. Positionieren Sie die Buchsen gemäß Tabelle 2.
7. Bauen Sie die Steckachsen der Vorderräder wieder ein und ziehen Sie sie fest. Überprüfen Sie die Spannung der Steckachsen. Die Achsen müssen sich problemlos drehen lassen, es darf aber kein Spiel vorhanden sein.
8. Bauen Sie die Hinterräder an.
9. Wenn alles ordnungsgemäß zusammengebaut wurde, müssen die Steckachsen der Vorderräder senkrecht zum Boden stehen. Überprüfen Sie, ob diese Ausrichtung gegeben ist.
10. Stellen Sie die Bremsen gemäß § 3.4 ein.

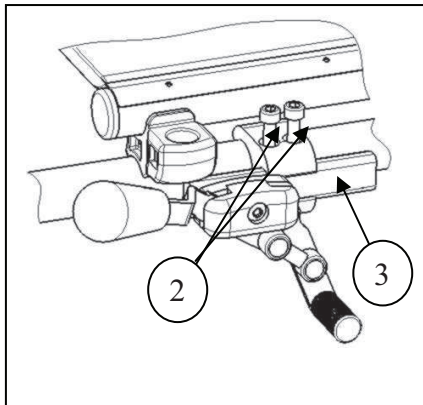
### 3.4 Einstellen der Bremsen

**⚠ WARNUNG: Verletzungsgefahr – Bremsen dürfen nur vom Fachhändler eingestellt werden.**

So stellen Sie die Bremsen ein:



1. Bauen Sie die Räder gemäß den Anweisungen in § 2.2 an.
2. Lösen Sie die Bremsen, indem Sie den Hebel ① nach hinten ziehen.

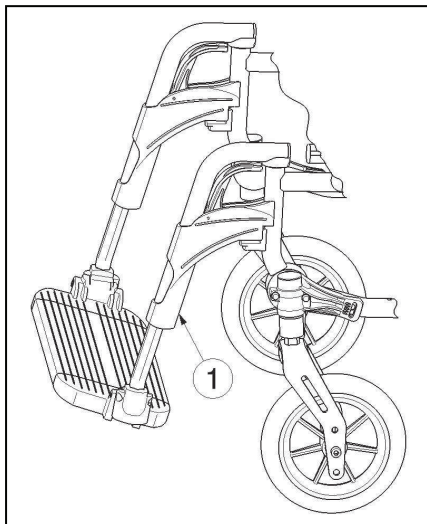


3. Lösen Sie die Schrauben ②, so dass der Bremsmechanismus über die Führung ③ geschoben werden kann.
4. Ziehen Sie den Bremsmechanismus über die Führung ③ in die gewünschte Position.
5. Ziehen Sie die Schrauben ② wieder fest.
6. Prüfen Sie die ordnungsgemäße Funktion der Bremsen.
7. Wiederholen Sie ggf. die oben beschriebenen Schritte, bis die Bremsen ordnungsgemäß justiert sind.

### 3.5 Einstellen der Fußplatte

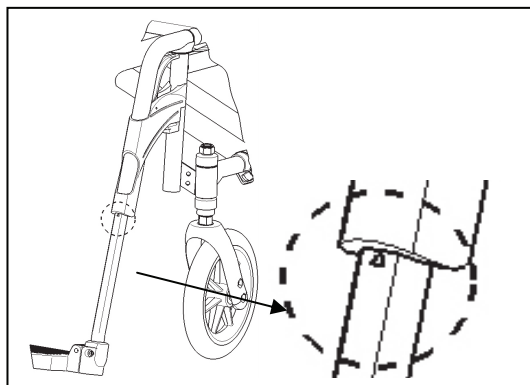
#### 3.5.1 Länge der Fußplatte

**⚠ VORSICHT: Risiko der Beschädigung – Achten Sie darauf, dass die Fußplatte den Boden nicht berührt. Achten Sie auf einen Abstand von mindestens 60 mm zwischen der Fußplatte und dem Boden.**



So stellen Sie die Länge der Fußplatte ein:

1. Drehen Sie die Schraube ① (auf der Rückseite der Fußplatte) heraus.
2. Stellen Sie die Länge der Fußplatte auf eine angenehme Länge ein.
3. Ziehen Sie die Schraube ① wieder fest.



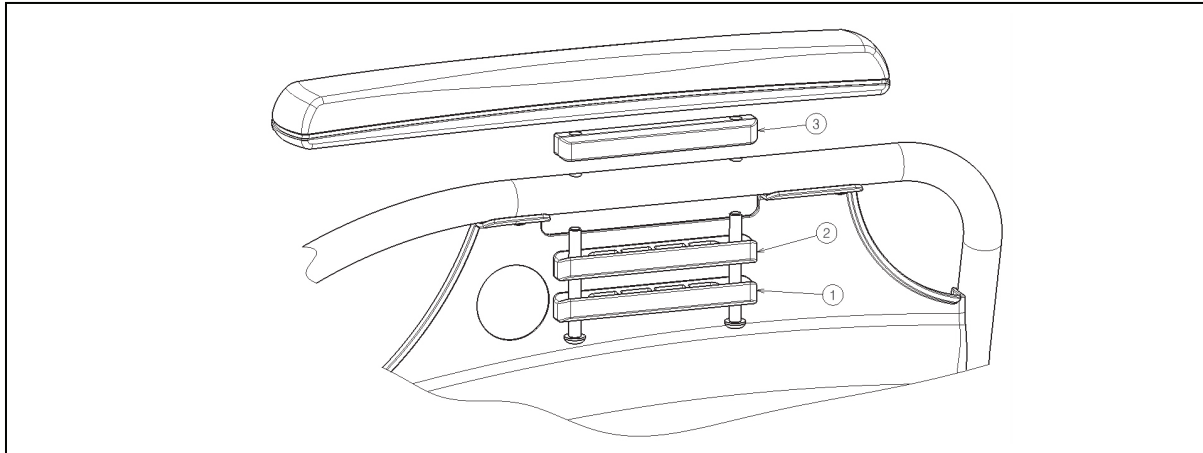
Die maximale Länge der Fußplatte ist mit einem Dreieck auf dem Rohr markiert.

### 3.6 Einstellen der Armauflage

Die Armauflagen Ihres Rollstuhls können in der Höhe und der Tiefe verstellt werden. Die Höhe der Armauflage kann dreifach verstellt werden.

Höhe der Armauflage zum Sitz	Anzahl der Blöcke unter dem Rohr	Anzahl der Blöcke zwischen Rohr und Armauflagen
220 mm (Standard)	2	1
230 mm	1	2
240 mm	0	3

Tabelle 3: Höhe der Armauflagen



Die Tiefe der Armauflage kann dreifach verstellt werden.

Tiefe der Armauflage	Verwendete Bohrungen
Vordere Position	Hinten und Mitte
Mittlere Position (Standard)	Bohrung 2 und 4
Hintere Position	Vorne und Mitte

Tabelle 4: Tiefe der Armauflage

So stellen Sie die Höhe und Tiefe der Armauflage ein:

1. Drehen Sie die beiden Schrauben unter der Armauflage heraus.
2. Platzieren Sie die korrekte Anzahl an Blöcken unterhalb und oberhalb der Rohre (siehe Tabelle 3).
3. Bauen Sie die Armauflage an den entsprechenden Bohrungen ein, um die Einstellung der Tiefe vorzunehmen.

## 4 Wartung

Die vorgesehene Lebenszeit dieses Rollstuhls beträgt etwa acht Jahre. Die Lebenszeit des Rollstuhl hängt ab von der Art der Nutzung, der Einlagerung, regelmäßigen Kontrollen, Service und Pflege.

### 4.1 Regelmäßige Wartung

Die Wartungsarbeiten dienen dazu, den ordnungsgemäßen Zustand Ihres Vermeiren Rollstuhls über lange Zeit sicherzustellen:

- Vor jeder Fahrt
  - Überprüfen Sie die Bereifung und reinigen Sie sie gegebenenfalls. Falls erforderlich, wechseln Sie den Reifen.
  - Überprüfen Sie die Verschraubungen fest angezogen sind.
  - Überprüfen Sie die Bremsen und stellen Sie sie gegebenenfalls ein.
  - Überprüfen Sie den Rollstuhl (Sauberkeit, Risse, Beschädigungen an den tragenden Teilen usw.) und reinigen Sie sie gegebenenfalls. Bessern Sie, falls erforderlich, die Lackierung aus.
- Alle 8 Wochen: Überprüfen und Schmieren der folgenden Teile:
  - Armauflagen
  - Fußplatte
  - Bremshebel
  - Radachsen

- Alle 6 Monate oder für jeden neuen Benutzer
  - Allgemeine Durchsicht
  - Desinfektion
  - Lenkräder, gegebenenfalls Lager reinigen

Zu Ihrer Bequemlichkeit haben wir den Wartungsplan auf der Rückseite dieser Bedienungsanleitung abgedruckt.

Reparatur und Montage von Ersatzteilen für Ihren Rollstuhl dürfen nur von einem Fachhändler durchgeführt werden.

Es dürfen nur autorisierte Vermeiren Ersatzteile verwendet werden.

## **4.2 Verpackung und Lagerung**

Bei der Verpackung und Lagerung des Rollstuhl sind die folgenden Hinweise zu beachten:

- Lagern Sie den Rollator nur bei Temperaturen von +5°C bis +41°C).
- Einlagerung bei Luftfeuchtigkeit von 30 % à 70 %.
- Achten Sie darauf, den Rollstuhl ausreichend abzudecken oder zu verpacken, um ihn vor Rost und Fremdkörpern zu schützen (z. B. Salzwasser, Seeluft, Sand, Staub).
- Alle abgebauten Teile zusammen an einem Ort lagern (ggf. kennzeichnen), damit bei Wiederaufbau keine Verwechslung mit anderen Produkten auftreten kann.
- Alle Bauteile müssen belastungsfrei gelagert werden (legen Sie keine schweren Teile auf den Rollstuhl, klemmen Sie den Rollstuhl nicht zwischen anderen Teilen ein usw.).

## **4.3 Pflege**

### **4.3.1 Sitz und Rückenkissen**

Bei der Reinigung des Sitzes und des Rückenkissens ist Folgendes zu beachten:

- Reinigen Sie den Sitz und die Rückenlehne mit einem mit warmem Wasser angefeuchteten Tuch. Achten Sie darauf, dass sich der Sitz und das Rückenkissen nicht mit Wasser vollsaugen.
- Bei hartnäckiger Verschmutzung können die Bezüge mit einem handelsüblichen Feinwaschmittel gewaschen werden.
- Flecken können mit einem Schwamm oder mit einer weichen Bürste entfernt werden.
- Verwenden Sie keine aggressiven Reinigungsmittel, z. B. Lösungsmittel, oder harte Bürsten.
- Die Bezüge dürfen nicht mit einem Dampf- oder Hochdruckreiniger behandelt werden.

### **4.3.2 Kunststoffteile**

Reinigen Sie alle Kunststoffteile Ihres Rollstuhls mit einem handelsüblichen Kunststoffreiniger. Verwenden Sie nur eine weiche Bürste oder einen weichen Schwamm.

Kunststoffteile sind z. B. die Armauflagen, Fußplatte, Griffe, Bereifung usw. .

### **4.3.3 Lackierung**

Durch die hochwertige Lackierung wird ein optimaler Korrosionsschutz gewährleistet. Falls die Lackierung durch Kratzer oder ähnliches beschädigt wird, sollten Sie einen Fachhändler aufsuchen, um die betroffene Oberfläche instand setzen zu lassen.

Verwenden Sie zur Reinigung der Lackierung nur warmes Wasser und handelsübliche Haushaltsreiniger mit einer weichen Bürste und ein Tuch. Achten Sie darauf, dass kein Wasser in die Rohre eintritt.

Bei leichtem Schmutz reiben Sie die verzinkten Teile einfach mit einem trockenen Tuch sauber. Hartnäckiger Schmutz wird am besten mit einem handelsüblichen Zinkpolitur entfernt.

## 4.4 Inspektion

Grundsätzlich empfehlen wir jährliche Inspektionen, mindestens jedoch vor jedem Wiedereinsatz. Die folgenden Prüfungen müssen von autorisierten Personen durchgeführt und dokumentiert werden.

- Prüfung der Rahmenteile und der Rohrschere auf Verformung, Risse und Funktionsbeeinträchtigungen.
- Sichtprüfung der Lackierung auf Schäden (Korrosionsgefahr)
- Funktionsprüfung der Räder (Freilauf, Geradeauslauf, Achsspiel, Bereifung, Profil, Felgenzustand, bei Luftbereifung Reifendruck, Pendelachsen usw.)
- Prüfung aller Schraubverbindungen auf Festigkeit und korrekten Sitz.
- Zustand und Menge des Schmiermittels bei metallisch geführten beweglichen Teilen
- Zustand und Sicherheit der Führungen und Achsen der Lenkräder.
- Sichtprüfung aller Kunststoffteile auf Risse und spröde Stellen
- Funktionsprüfung der Armauflagen und Beinstützen (Verriegelung, Belastung, Verformung, Verschleiß durch Belastung.
- Überprüfung der Funktion der abnehmbaren Teile (Beispiel: Antikippvorrichtung, Sicherheitsgurt, Rücken- oder Sitzkissen usw.)
- Vollständigkeit des Auslieferungszustands, Gebrauchsanweisung vorhanden?

Lassen Sie sich den Wartungsdienst nur dann im Wartungsplan unterzeichnen, wenn mindestens die oben genannten Punkte überprüft wurden.

## 4.5 Desinfektion

**⚠️ WARNUNG: Schädliche Produkte - Desinfektionsmittel dürfen nur von autorisiertem Personal eingesetzt werden.**

**⚠️ WARNUNG: Gefährliche Produkte, die zu Hautveränderungen führen können. Tragen Sie geeignete Schutzkleidung, da die Desinfektionslösung bei Hautkontakt Reizungen auslösen kann. Achten Sie dabei auch auf die Produktinformationen der jeweiligen Lösung.**

Alle Teile des Rollstuhls können mit einem Desinfektionsmittel abgerieben werden.

Alle Desinfektionsmaßnahmen an Rehabilitationsgeräten, deren Komponenten oder Zubehörteilen müssen in einem Desinfektionsbuch festgehalten werden. Dabei sind mindestens die folgenden Informationen aufzuführen und eine Produktdokumentation beizufügen:

Datum der Desinfektion	Grund	Spezifikation	Verwendete Substanz und Konzentration	Unterschrift
------------------------	-------	---------------	---------------------------------------	--------------

Tabelle 5: Beispiel eines Desinfektionsbuchs

Abkürzungen für die Eintragungen in Spalte 2 (Grund):

V = Vermutete Infektion    IF = Infektionsfall    W = Wiederholung    I = Inspektion

Eine leere Seite eines Desinfektionsbuchs finden Sie in § 9.

Für die Verwendung am Rollstuhl werden die in der folgenden Liste aufgeführten Desinfektionsmittel (basierend auf einer Liste des Robert Koch Instituts, RKI) empfohlen. Der aktuelle Stand der in die RKI-Liste aufgenommenen Desinfektionsmittel kann beim Robert-Koch-Institut (RKI) nachgefragt werden (Homepage: [www.rki.de](http://www.rki.de)).

Wirkstoff	Produktname	Wäsche- desinfektion		Oberflächen- desinfektion (Wasch-/Wisch- desinfektion)		Desinfektion von Ausscheidungen 1 Teil Auswurf oder Stuhl + 2 Teile verdünnte Lösung oder 1 Teil Harn + 1 Teil verdünnte Lösung						Wirks- amkeits- bereich	Hersteller bzw. Lieferant
		Verdünnte Lösung	Dauer bis Wirksamkeit	Verdünnte Lösung	Dauer bis Wirksamkeit	Auswurf		Stuhl		Harn			
						%	Std.	%	Std.	%	Std.		
Phenol oder Phenolderivat	Amocid	1	12	5	6	5	4	5	6	5	2	A	Lysoform
	Gevisol	0,5	12	5	4	5	4	5	6	5	2	A	Schülke & Mayr
	Helipur			6	4	6	4	6	6	6	2	A	B. Braun
	m-cresole Seifenlösung (DAB 6)	1	12	5	4							A	
	Phenol	1	12	3	2							A	
Chlor, organische oder anorganische Substanzen mit Aktivchlor	Chloramin-T DAB 9	1,5	12	2,5	2	5	4					A <sup>1</sup> B	
	Clorina	1,5	12	2,5	2	5	4					A <sup>1</sup> B	Lysoform
	Trichlorol	2	12	3	2	6	4					A <sup>1</sup> B	Lysoform
Perver- bindungen	Apesin AP100 <sup>2</sup>			4	4							AB	Tana PROFESSIONAL
	Dismozon pur <sup>2</sup>			4	1							AB	Bode Chemie
	Perform <sup>2</sup>			3	4							AB	Schülke & Mayr
	Wofesteril <sup>2</sup>			2	4							AB	Kesla Pharma
Formaldehyd und/oder sonstige Aldehyde bzw. Derivate	Aldasan 2000			4	4							AB	Lysoform
	Antifect FD 10			3	4							AB	Schülke & Mayr
	Antiseptica Flächen- Desinfektion 7			3	6							AB	Antiseptica
	Apesin AP30			5	4							A	Tana PROFESSIONAL
	Bacillocid special			6	4							AB	Bode Chemie
	Buraton 10F			3	4							AB	Schülke & Mayr
	Desomed A2000			3	6							AB	Desomed
	Desinfektions- reiniger Hospital			8	6							AB	Dreiturm
	Desomed Perfekt			7	4							AB*	Desomed
	Formaldehyd (DAB 10), (Formalin)	1,5	12	3	4							AB	
	Incidin Perfekt	1	12	3	4							AB	Ecolab
	Incidin Plus			8	6							A	Ecolab
	Kohrsolin	2	12	3	4							AB	Bode Chemie
	Lysoform	4	12	5	6							AB	Lysoform
	Lysoformin	3	12	5	6							AB	Lysoform
	Lysoformin 2000			4	6							AB	Lysoform
	Melsept	2	12	4	6							AB	B. Braun
	Melsitt	4	12	10	4							AB	B. Braun
	Minutil	2	12	6	4							AB	Ecolab
	Multidor			3	6							AB	Ecolab
Nüscosept			5	4							AB	Dr. Nüsken Chemie	
Optisept			7	4							AB*	Dr. Schumacher	
Pursept-FD			7	4							AB*	Merz	
Ultrasol F	3	12	5	4							AB	Fresenius Kabi	
Amphoterische Tenside (Amfetensiden)	Tensodur 103	2	12									A	MFH Marienfelde
Lye	Kalkmilch <sup>3</sup>							20	6			A <sup>3</sup> B	

1 Unwirksam gegen Mykobakterien bei einer routinemäßigen Desinfektion, insbesondere in Gegenwart von Blut.

2 Ungeeignet zur Desinfektion von deutlich mit Blut kontaminierten Flächen oder von porösen Oberflächen (z. B. rohem Holz).

3 Unbrauchbar bei Tuberkulose; Bereitung der Kalkmilch: 1 Teil gelöschter Kalk (Calciumhydroxid) + 3 Teile Wasser.

\* Geprüft auf Wirksamkeit gegen Viren gemäß den Prüfmethode des RKI (Gesundheitsbericht 38 (1995) 242).

A: Geeignet zur Abtötung von vegetativen bakteriellen Keimen einschließlich Mykobakterien sowie von Pilzen einschließlich pilzlicher Sporen.

B: Geeignet zur Inaktivierung von Viren.

Tabelle 6: Desinfektionsmittel

Für Rückfragen zur Desinfektion wenden Sie sich bitte an Ihren Fachhändler, der Ihnen gerne weiterhelfen wird.



## 5 Garantie

Auszug aus den allgemeinen Geschäftsbedingungen:

(...)

5. Die Verjährungsfrist für Gewährleistungsansprüche beträgt 24 Monate. Aufgrund unserer hohen Qualitätsstandards können wir den Zeitraum für Gewährleistungsansprüche für die folgenden Bauteile über diese gesetzlich vorgeschriebene Frist hinaus verlängern

(...)

- Rahmen und Schere von Rollstühlen

4 Jahre

Wir übernehmen keine Gewähr bei Schäden, die durch konstruktive Veränderungen an unseren Produkten, mangelnde Wartung, fehlerhafte oder unsachgemäße Behandlung oder Lagerung oder Verwendung von anderen als Original-Ersatzteilen entstanden sind. Die Gewährleistung auf Verschleißteile bzw. auf Teile, die einer natürlichen Abnutzung unterliegen, wird ebenfalls ausgeschlossen.

(...)

## 6 Entsorgung

Wenden Sie sich zur Entsorgung des Rollstuhls an den Ihr lokales Recyclingcenter oder geben Sie das Produkt an den Fachhändler zurück. Dieser wird den Rollstuhl nach einer fachgerechten Reinigung bzw. Desinfektion an den Hersteller zurücksenden, der den Rollstuhl entsorgt bzw. recycelt.

Die Verpackungsmaterialien können Sie entweder in das Recycling geben oder bei Ihrem Fachhändler lassen.

## 7 Übereinstimmungserklärung

*Der Hersteller oder sein bevollmächtigter Vertreter :*

N.V. VERMEIREN N.V.

**Adresse :**

Vermeirenplein 1/15  
2920 Kalmthout  
Belgien

*erklärt unter der eigenen Verantwortung, dass CE-markierte Produkte :*

Produktgruppe: Manuelle Rollstühle  
Marke: Vermeiren  
Typ: V100 XL

*als Klasse I eingestuft werden, gemäß Anhang IX 93/42/EWG, Regel 1,*

*und hergestellt sind in völliger Konformität mit nachstehenden europäischen Richtlinien - inklusive der letzten Änderungen - und mit den nationalen Gesetzen, welche diese Richtlinien ausgestalten :*

Richtlinie über Medizinprodukte 93/42/EWG

*und den einschlägigen europäisch harmonisierten Standards entsprechen:*

EN 12182: 1999, EN 12183: 2009





## 8 Wartungsplan

Datum	Wartung	Anmerkungen	Namenszeichen
1/1/2012	Schmierung und allgemeine Wartung	keine	

## 9 Desinfektionsbuch

Datum der Desinfektion	Grund	Spezifikation	Verwendete Substanz und Konzentration	Unterschrift

Abkürzungen für die Eintragungen in Spalte 2 (Grund):  
V = Vermutete Infektion    IF = Infektionsfall    W = Wiederholung    I = Inspektion

**Indice**

<b>Premessa.....</b>	<b>2</b>
<b>1 Descrizione del prodotto.....</b>	<b>3</b>
1.1 Utilizzo previsto .....	3
1.2 Specifiche tecniche.....	4
1.3 Schema .....	5
1.4 Accessori .....	5
1.5 Posizione della targhetta di identificazione.....	6
1.6 Significato dei simboli .....	6
<b>2 Utilizzo .....</b>	<b>6</b>
2.1 Trasporto della carrozzina .....	6
2.2 Montaggio delle ruote posteriori .....	7
2.3 Apertura della carrozzina .....	7
2.4 Montaggio o rimozione della barra di spinta .....	7
2.5 Montaggio o rimozione del poggiapiedi .....	8
2.6 Utilizzo dei freni.....	8
2.7 Montaggio o rimozione dei poggiaabbraccia.....	9
2.8 Trasferire la carrozzina all'interno e all'esterno.....	10
2.9 Posizione corretta nella carrozzina.....	10
2.10 Utilizzo della carrozzina.....	10
2.11 Spostamento sulle pendenze.....	11
2.12 Affrontare gradini e scalini .....	11
2.13 Ripiegare la carrozzina.....	13
2.14 Smontare le ruote .....	13
2.15 Trasporto in auto .....	13
<b>3 Installazione e regolazione .....</b>	<b>14</b>
3.1 Attrezzi .....	14
3.2 Modalità di consegna .....	14
3.3 Regolazione dell'altezza del sedile.....	14
3.4 Regolare i freni.....	15
3.5 Regolazione del poggiapiedi .....	16
3.6 Regolazione del poggiaabbraccia.....	16
<b>4 Manutenzione.....</b>	<b>17</b>
4.1 Manutenzione regolare .....	17
4.2 Trasporto e conservazione .....	18
4.3 Pulizia.....	18
4.4 Controllo.....	19
4.5 Disinfezione .....	19
<b>5 Garanzia .....</b>	<b>21</b>
<b>6 Smaltimento .....</b>	<b>21</b>
<b>7 Dichiarazione di conformità .....</b>	<b>21</b>
<b>8 Piano di manutenzione .....</b>	<b>22</b>
<b>9 Guida alla disinfezione .....</b>	<b>22</b>



## Premessa

Ringraziamo per la fiducia accordataci con l'acquisto di una carrozzina di nostra produzione.

Le carrozzine Vermeiren sono il risultato di molti anni di ricerca ed esperienza. Durante lo sviluppo, è stata dedicata attenzione speciale alla facilità d'uso e alla praticità della carrozzina.

La durata prevista della carrozzina di 8 anni dipende fortemente dalla cura e manutenzione che vi si dedicano.

Il presente manuale ha lo scopo di aiutare ad acquisire familiarità con il funzionamento della carrozzina.

Attenersi alle istruzioni operative e di manutenzione costituisce parte integrante della garanzia.

Questo manuale riflette gli sviluppi più recenti dei prodotti. Vermeiren si riserva il diritto di apportare modifiche senza preavviso, senza essere tenuta a sostituire o adattare modelli forniti in precedenza.

Per qualsiasi chiarimento, rivolgersi al rivenditore.

## 1 Descrizione del prodotto

### 1.1 Utilizzo previsto

La carrozzina è destinata a persone con difficoltà motorie o incapacità di deambulazione.

La carrozzina è destinata al trasporto di una sola persona.

La carrozzina può essere utilizzata sia all'interno che in spazi esterni.

La carrozzina può essere spinta direttamente dalla persona o da un accompagnatore.

Le diverse versioni di allestimento e gli accessori e la concezione modulare consentono l'utilizzo della carrozzina da parte di persone con impossibilità/difficoltà di deambulazione in seguito a:

- paralisi
- amputazione di arti inferiori
- difetti o deformazioni degli arti inferiori
- contratture o lesioni articolari
- insufficienza cardiaca e cardiocircolatoria
- disturbi dell'equilibrio
- cachessia (deterioramento della massa muscolare)
- e per usi geriatrici.

Nella valutazione delle esigenze personali, le seguenti condizioni:

- corporatura e peso corporeo (170 kg max)
- condizioni psico-fisiche
- abitazioni
- ambiente

devono essere prese in considerazione.

La carrozzina deve essere utilizzata solo su superfici che consentono il contatto adeguato delle quattro ruote e dove sia possibile spingere in modo uniforme le ruote.

Esercitarsi su superfici sconnesse (ciottoli, ecc.), pendenze, curve e a superare gli ostacoli (scalini, ecc.).

Non utilizzare la carrozzina come scala, né per trasportare oggetti pesanti o caldi.

Quando utilizzata su pavimenti con tappeti, moquette o rivestimenti, la carrozzina può danneggiarli.

Utilizzare solo gli accessori approvati Vermeiren.

La casa costruttrice non può essere ritenuta responsabile per danni causati dalla mancanza di manutenzione adeguata o risultanti dal mancato rispetto delle istruzioni contenute nel presente manuale.

La conformità con le istruzioni operative e di manutenzione è parte integrante della garanzia.

## 1.2 Specifiche tecniche

I termini tecnici riportati di seguito sono applicabili alla carrozzina con configurazione standard. Se sono utilizzati altri poggiatesta/ poggiatesta o accessori, i valori in tabella cambiano.

<b>Produttore</b>	Vermeiren		
<b>Indirizzo</b>	Vermeirenplein 1/15, B-2920 Kalmthout		
<b>Tipo</b>	Carrozzina manuale		
<b>Modello</b>	V100 XL		
<b>Peso massimo dell'occupante</b>	170 kg		
<b>Descrizione</b>	<b>Dimensioni</b>		
Larghezza effettiva del sedile	530 mm	560 mm	600 mm
Larghezza complessiva (dipende dalla larghezza del sedile)	740 mm	770 mm	810 mm
<b>Descrizione</b>	<b>Dimensioni Min.</b>	<b>Dimensioni Max.</b>	
Lunghezza complessiva con bracciolo	1060 mm		
Lunghezza ripiegata	1060 mm		
Larghezza ripiegata	375 mm		
Altezza ripiegata	890 mm	950 mm	
Massa totale	21,4 kg		
Massa della parte più pesante	13,7 kg		
Masse di parti che possono essere smontato o rimosso	<b>Poggiatesta: 1,75 kg; Poggiatesta: 1,80 kg; Ruote posteriori: 4,05 kg</b>		
Stabilità statica in discesa	7°		
Stabilità statica in salita	9°		
Stabilità statica lateralmente	18°		
Superamento degli ostacoli	60 mm		
Angolazione del piano del sedile	5°		
Profondità effettiva del sedile	490		
Altezza della superficie del sedile all'estremità frontale	470 mm	530 mm	
Angolazione dello schienale	5°		
Altezza dello schienale	380 mm		
Distanza tra poggiatesta e sedile	450 mm		
Angolazione tra sedile e poggiatesta	10°		
Distanza tra braccioli e sedile	220 mm	240 mm	
Posizione anteriore della struttura del bracciolo	410 mm		
Diametro dei corrimano	535 mm		
Posizione orizzontale dell'asse (deflessione)	20 mm		
Raggio di sterzata minimo	1616 mm		
Diametro delle ruote posteriori in PU krypton	22"	24"	
Pressione di gonfiaggio pneumatici, ruote motrici/posteriori	Max. 3,5 bar		
Diametro delle ruote direzionali in PU krypton	200 mm		
Pressione di gonfiaggio pneumatici, ruote direzionali	Max. 2,5 bar		
Temperatura di utilizzo e di conservazione	+ 5 °C	+ 41 °C	
Umidità di utilizzo e di conservazione	30%	70%	
<b>Ci riserviamo il diritto di apportare modifiche tecniche. Tolleranza ± 15 mm / 1,5 kg / °</b>			

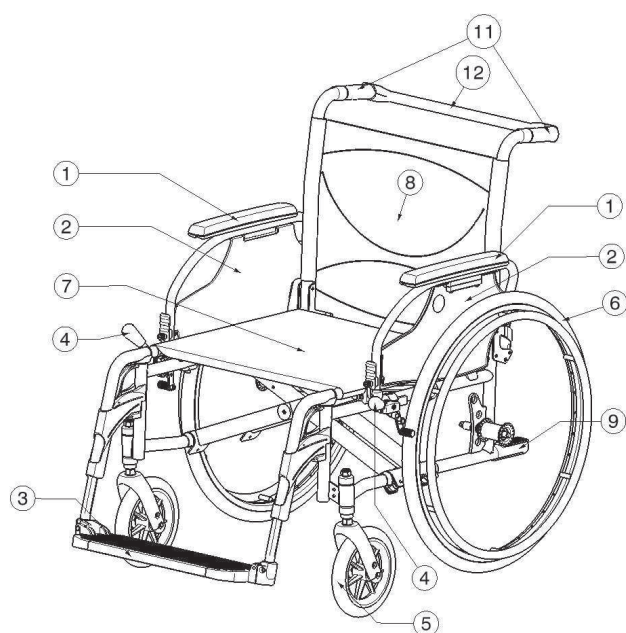
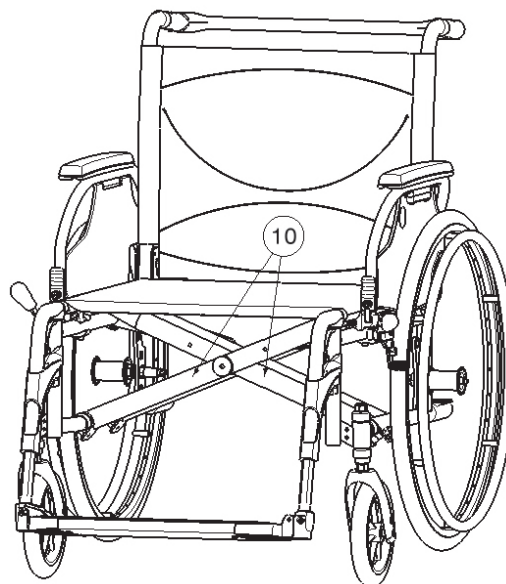
Tabella 1: Specifiche tecniche

La carrozzina è conforme ai requisiti stabiliti in:

ISO 7176-8: requisiti e metodi di prova per forze statiche di impatto e sollecitazioni.

ISO 7176-16: resistenza all'accensione di parti imbottite

### 1.3 Schema



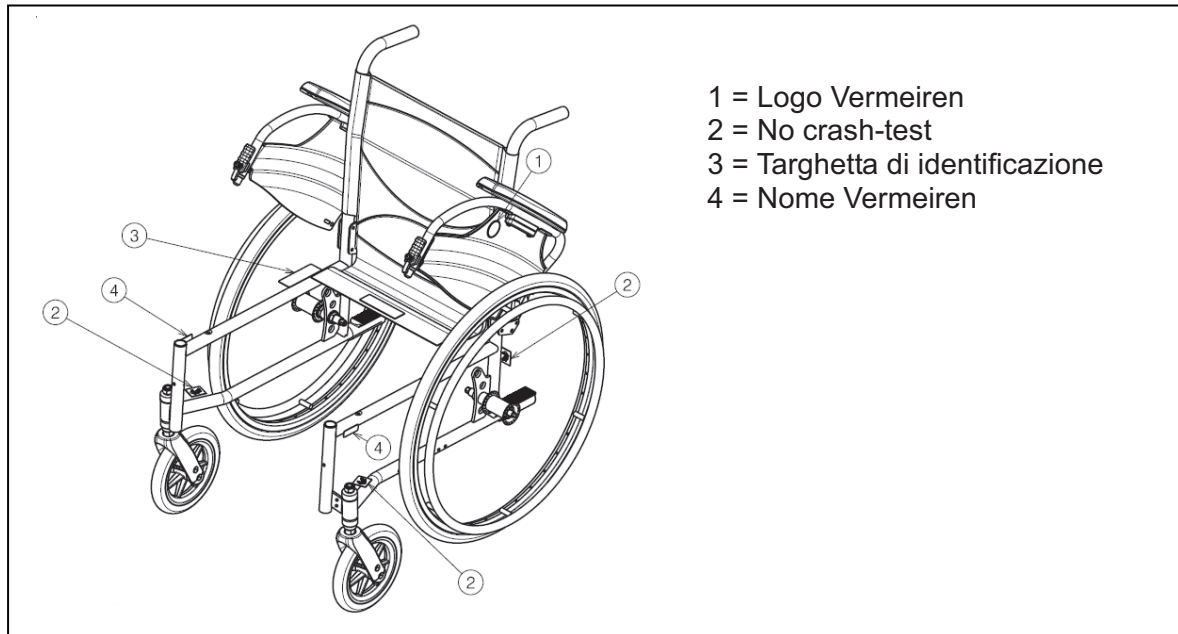
- 1 = Braccioli
- 2 = Poggiabraccia
- 3 = Poggiapiedi
- 4 = Freni
- 5 = Ruote direttrici (ruote anteriori)
- 6 = Ruote motrici (ruote posteriori)
- 7 = Sedile
- 8 = Schienale
- 9 = Calotta ribaltamento
- 10 = Crociera
- 11 = Impugnature
- 12 = Barra di spinta

### 1.4 Accessori

I seguenti accessori sono disponibili per il modello V100 XL:

- Cintura pelvica anteriore (B20) per il montaggio sui tubi posteriori (vedere il manuale adatto)
- Dispositivo antiribaltamento (B78) per il montaggio sul telaio inferiore (vedere il manuale adatto)

## 1.5 Posizione della targhetta di identificazione



## 1.6 Significato dei simboli



Peso massimo



Uso interno ed esterno



Pendenza in basso



Pendenza in alto



CE conformità



No crash-test

## 2 Utilizzo

In questo capitolo viene descritto l'utilizzo quotidiano. **Le presenti istruzioni sono destinate all'utente e al rivenditore.**

La carrozzina viene fornita completamente assemblata dal rivenditore. Le istruzioni destinate al rivenditore, relative alla configurazione della carrozzina sono descritte nel § 3.

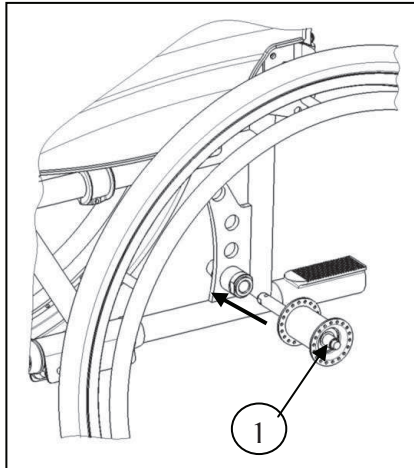
### 2.1 Trasporto della carrozzina

Il modo migliore per trasportare la carrozzina è facendola scorrere usufruendo delle ruote.

Se ciò non è possibile (per es. quando le ruote posteriori sono tolte per il trasporto in auto), afferrare saldamente il telaio dalla parte anteriore e dalle impugnature. Non utilizzare la parte inferiore, i braccioli o le ruote per afferrare la carrozzina.



## 2.2 Montaggio delle ruote posteriori



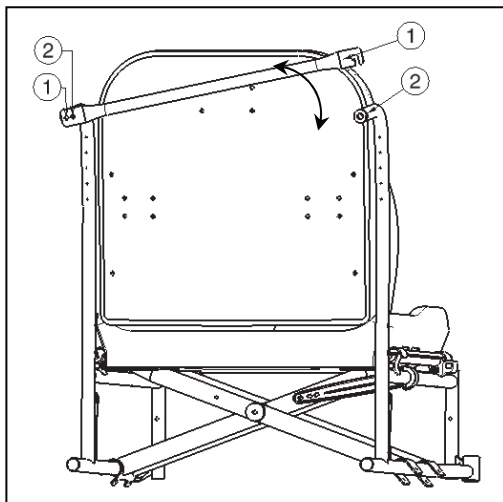
1. Prendere la ruota posteriore e premere sul pulsante ①.
2. Tenere premuto il pulsante e montare l'asse delle ruote posteriori fino a quando non si arresta.
3. Rilasciare il pulsante.
4. Verificare che le ruote siano fissate.

## 2.3 Apertura della carrozzina

**⚠ ATTENZIONE: rischio di intrappolamento. Tenere le dita lontane dalle parti in movimento della carrozzina.**

1. Posizionarsi dietro la carrozzina.
2. Utilizzare le impugnature per aprire la carrozzina il più possibile.
3. Posizionarsi davanti alla carrozzina.
4. Premere entrambi i tubi della seduta verso il basso fino a quando non si fissano in posizione.
5. Posizionandosi dietro alla carrozzina, montare la barra di spinta a destra dell'impugnatura.

## 2.4 Montaggio o rimozione della barra di spinta



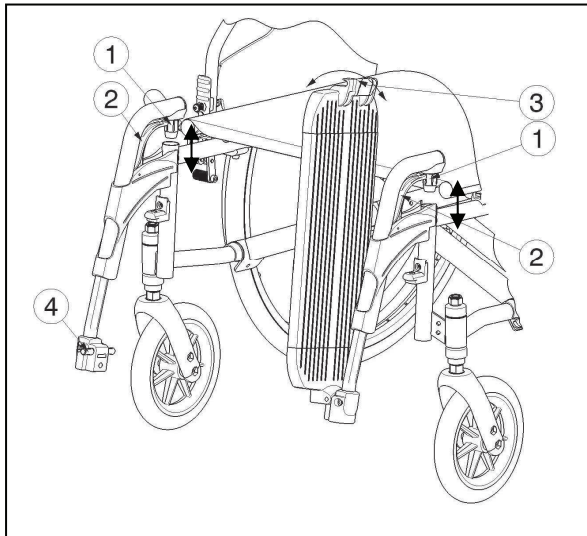
Montare la barra di spinta nel modo seguente:

1. Montare la barra di spinta con la manopola a stella nell'impugnatura sinistra.
2. Ruotare la barra di spinta verso destra.
3. Montare il morsetto ① sull'impugnatura destra ②. Se questa operazione risulta difficile, è possibile che la barra sia troppo lunga. Posizionare la barra di spinta sull'impugnatura sinistra con la manopola a stella nel foro ②.

Per rimuovere la barra di spinta:

1. Allentare la manopola a stella sull'impugnatura destra.
2. Rimuovere il morsetto ① dall'impugnatura destra ②.

## 2.5 Montaggio o rimozione del poggiatesta



Montare il poggiatesta nel modo seguente:

1. Reggere il poggiatesta lateralmente dalla parte esterna del telaio della carrozzina e montare il coperchio del tubo ① nel telaio.
2. Ruotare il poggiatesta verso l'interno fino a quando non scatta nella posizione corretta.
3. Ruotare il pedana poggiatesta verso il basso finché i morsetti ③ si agganciano agli appositi supporti ④

Per rimuovere il poggiatesta:

1. Sganciare i morsetti ③ dai supporti ④.
2. Ruotare il pedana poggiatesta verso l'alto.
3. Tirare l'impugnatura ②.
4. Ruotare il poggiatesta verso l'esterno della carrozzina finché non si sgancia dalla guida.
5. Tirare il poggiatesta dal coperchio del tubo ①.

## 2.6 Utilizzo dei freni

- ⚠ **AVVERTENZA:** non utilizzare i freni per rallentare la carrozzina durante i movimenti, utilizzarli solo per prevenire movimenti indesiderati della carrozzina.
- ⚠ **AVVERTENZA:** sull'adeguato funzionamento dei freni incide l'usura e la sporcizia accumulata sugli pneumatici (acqua, olio, fango, ecc.). Verificare la condizione degli pneumatici prima di ciascun utilizzo.
- ⚠ **AVVERTENZA:** i freni sono regolabili e possono usurarsi. Verificare il funzionamento dei freni prima di ciascun utilizzo.

Per frenare:

1. spingere le impugnature dei freni in avanti fino a sentire un clic.

- ⚠ **ATTENZIONE:** rischio di movimento indesiderato. Accertarsi che la carrozzina sia su una superficie orizzontale prima di rilasciare i freni. Non rilasciare entrambi i freni contemporaneamente.

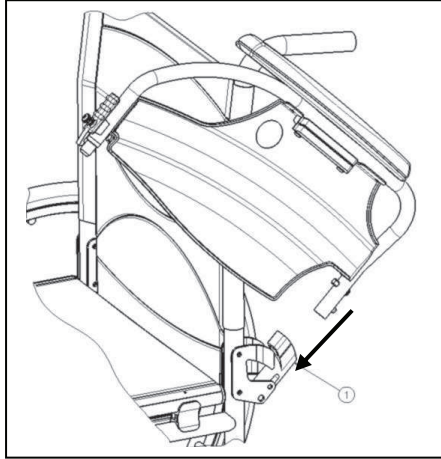
Per rilasciare i freni:

1. Rilasciare un freno tirando l'impugnatura all'indietro.
2. Reggere il corrimano della ruota di rilascio con la mano.
3. Rilasciare l'altro freno tirando le impugnature all'indietro.

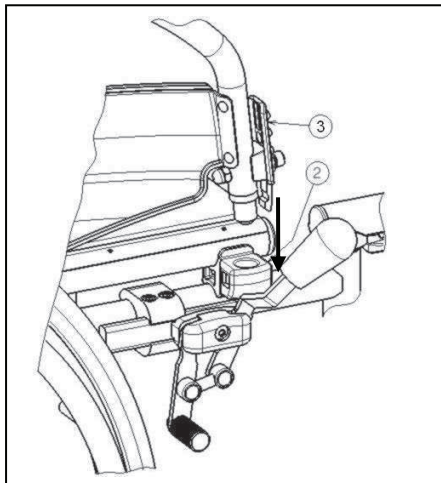
## 2.7 Montaggio o rimozione dei poggibraccia

I poggibraccia della carrozzine possono essere montato le istruzioni seguendo.

**⚠ ATTENZIONE:** rischio di intrappolamento. Tenere le dita, le fibbie e gli indumenti lontani dalla parte laterale del poggibraccia.

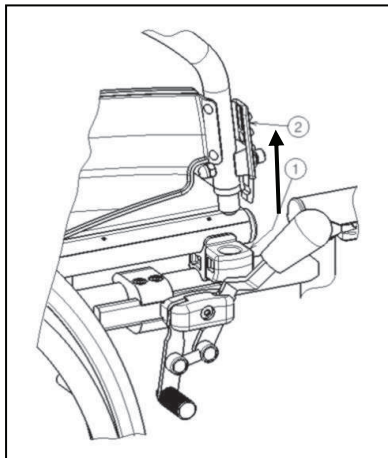


1. Montare il tubo posteriore del bracciolo sul coperchio del tubo ①.
2. Accertarsi che il poggibraccia scatti nel meccanismo di blocco.
3. Piegare in avanti il bracciolo.



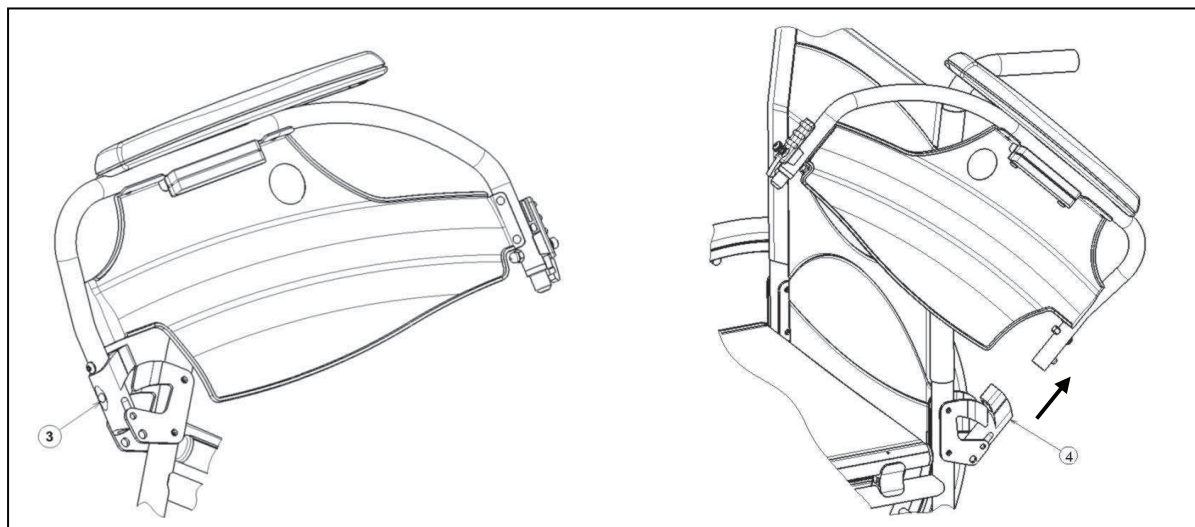
4. Far scattare il tubo anteriore del bracciolo sul coperchio del tubo ②.

Per aprire e rimuovere il bracciolo:



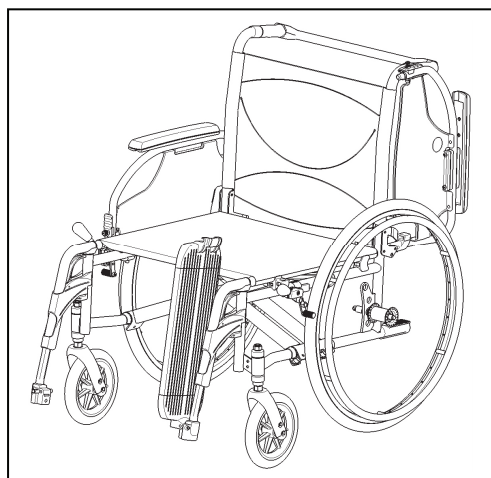
1. Premere la leva ② e tirare la parte anteriore del bracciolo verso l'alto.
2. Piegare all'indietro il bracciolo.

3. Per rimuovere il poggia braccia, premere il pulsante ③ e tirare la parte posteriore del poggia braccia dal coperchio del tubo ④.



## 2.8 Trasferire la carrozzina all'interno e all'esterno

- ⚠ **ATTENZIONE:** nel caso in cui non si riesca a eseguire il trasferimento in modo sicuro, chiedere assistenza.
- ⚠ **ATTENZIONE:** rischio di ribaltamento della carrozzina. Non reggersi in piedi sulle pedane.



1. Posizionare la carrozzina il più vicino possibile alla sedia, alla poltrona o al letto da/verso cui si desidera trasferirsi.
2. Verificare che entrambi i freni della carrozzina siano in posizione di attivazione.
3. Ripiegare le pedane verso l'alto per evitare di reggersi in piedi sopra di essa.
4. Se il trasferimento avviene dalla parte laterale della carrozzina, ripiegare il poggia braccia che si trova da quel lato verso l'alto. (vedere § 2.7)
5. Trasferimento da/verso la carrozzina.

## 2.9 Posizione corretta nella carrozzina

Alcuni consigli per un utilizzo confortevole della carrozzina:

- Posizionare la parte posteriore il più vicino possibile allo schienale.
- Accertarsi che le cosce siano in orizzontale, se necessario regolare la lunghezza dei poggia piedi. (vedere § 3.5)

## 2.10 Utilizzo della carrozzina

- ⚠ **AVVERTENZA:** rischio di intrappolamento. Prestare attenzione a non far intrappolare le dita nei raggi delle ruote.
- ⚠ **AVVERTENZA:** rischio di intrappolamento. Prestare attenzione durante il passaggio in spazi ristretti (ad esempio, porte).
- ⚠ **AVVERTENZA:** Pericolo di ustioni. Prestare attenzione durante l'uso in ambienti caldi o freddi (esposizione al sole, freddo estremo, sauna, ecc.) per un determinato periodo di tempo. - La temperatura dell' ambiente pro' influire sulle superfici.

1. Rilasciare i freni.
2. Tenere entrambi i corrimano alla massima altezza.
3. Inclinarsi in avanti e spingere in avanti i corrimano fino a stendere le mani.
4. Far ruotare le mani lentamente all'indietro verso la parte superiore dei corrimano e ripetere il movimento.

## 2.11 Spostamento sulle pendenze

- ⚠ **AVVERTENZA:** controllare la velocità. Spostarsi sulle pendenze il più lentamente possibile.
- ⚠ **AVVERTENZA:** considerare le capacità dell'accompagnatore. Se l'accompagnatore non ha forza sufficiente a controllare la carrozzina, attivare i freni.
- ⚠ **AVVERTENZA:** rischio di ribaltamento . Inclinarsi in avanti per spostare il baricentro in avanti. Per migliorare la stabilità.



1. Se disponibile sulla carrozzina, indossare la cintura di sicurezza.
2. Non tentare di spostarsi su pendenze troppo ripide. Le pendenze massime (in discesa e in salita) sono riportate nella tabella 1.
3. Chiedere all'accompagnatore un aiuto per spostarsi in pendenza.
4. Inclinarsi in avanti per spostare il baricentro in avanti.

## 2.12 Affrontare gradini e scalini

### 2.12.1 Scendere da gradini e scalini

È possibile scendere da piccoli scalini spostandosi in avanti. Accertarsi che i poggiatesta non tocchino il suolo.



Un utente esperto può affrontare da solo piccoli gradini o scalini:

- ⚠ **AVVERTENZA:** rischio di ribaltamento. Se non si possiede sufficiente esperienza con la carrozzina, richiedere assistenza a un accompagnatore.
1. Spostare l'equilibrio sulle ruote posteriori per ridurre la pressione sulle ruote anteriori.
  2. Affrontare gli scalini.

Gli scalini più alti possono essere superati con un accompagnatore:

1. Chiedere all'accompagnatore di inclinare la carrozzina leggermente all'indietro.
2. Superare i gradini procedendo sulle ruote posteriori.
3. Riportare la carrozzina sulle quattro ruote.



Un utente esperto è in grado di affrontare gli scalini da solo. È preferibile procedere all'indietro.

1. Ruotare la carrozzina in modo che le ruote posteriori siano di fronte allo scalino.
2. Inclinarsi in avanti per spostare il baricentro in avanti.
3. Portare la carrozzina vicino agli scalini.
4. Con il corrimano far scendere la carrozzina dallo scalino controllandola.

## 2.12.2 Salire su gradini e scalini

Salire su gradini e scalini con un accompagnatore nel modo seguente:



1. Fare in modo che i poggiatesta non tocchino lo scalino.
2. Chiedere all'accompagnatore di inclinare la carrozzina all'indietro, in modo sufficiente per consentire alle ruote anteriori di superare lo scalino.
3. Inclinarsi all'indietro per spostare il baricentro sulle ruote posteriori.
4. Portare le ruote anteriori sullo scalino.
5. Far rotolare le ruote posteriori oltre lo scalino.

Gli scalini più alti vanno affrontati all'indietro:

1. Ruotare la carrozzina in modo che le ruote posteriori siano di fronte allo scalino.
2. Inclinarsi all'indietro per spostare il baricentro sulle ruote posteriori.
3. Chiedere all'accompagnatore di spingere la carrozzina verso lo scalino.
4. Assumere nuovamente la posizione normale nella carrozzina.

Un utente esperto è in grado di affrontare gli scalini più alti da solo.

**⚠ AVVERTENZA: rischio di ribaltamento. Se non si possiede sufficiente esperienza per controllare la carrozzina, richiedere aiuto a un accompagnatore.**



1. Arrivare agli scalini.
2. Accertarsi che i poggiatesta non tocchino gli scalini.
3. Inclinarsi all'indietro per essere in equilibrio sulle ruote posteriori.



4. Portare l'equilibrio delle ruote anteriori oltre gli scalini.
5. Piegarsi in avanti per una maggiore stabilità.
6. Portare le ruote posteriori oltre gli scalini.

## 2.12.3 Fare le scale

È possibile fare le scale nella carrozzina, adottando le regole che seguono:

**⚠ AVVERTENZA: rischio di ribaltamento. È possibile fare le scale facendosi assistere sempre da due accompagnatori.**

1. Rimuovere i poggiatesta.
2. Far inclinare la carrozzina leggermente all'indietro all'accompagnatore.
3. Il secondo accompagnatore deve afferrare la parte anteriore del telaio.
4. Mantenere la calma, evitare movimenti improvvisi e tenere le braccia all'interno della carrozzina.
5. Fare le scale sulle ruote posteriori della carrozzina.
6. Montare nuovamente i poggiatesta dopo aver fatto le scale.



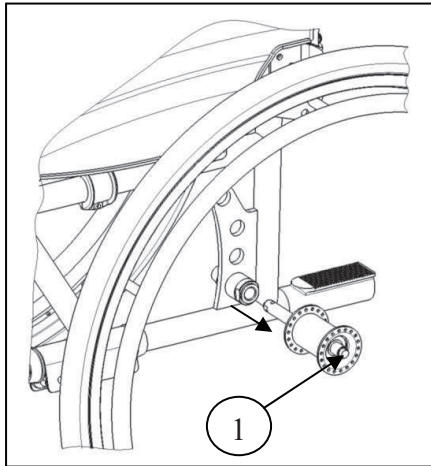
## 2.13 Ripiegare la carrozzina

**⚠ ATTENZIONE:** possibilità di pizzicamento. Non mettere le dita tra i componenti della carrozzina.

1. Ripiegare o rimuovere le pedane poggia piedi (vedere § 2.5).
2. Posizionandosi dietro alla carrozzina, ruotare e allontanare la barra di spinta dall'impugnatura.
3. Afferrare il sedile dalla parte anteriore e dallo schienale e tirarlo verso l'alto.

## 2.14 Smontare le ruote

Per agevolare il trasporto della carrozzina, è possibile rimuovere le ruote posteriori:



1. Accertarsi i freni siano in posizione off.
2. Prendere la carrozzina dal telaio laterale dove si desidera rimuovere la ruota.
3. Premere il pulsante ① al centro del mozzo della ruota.
4. Estrarre la ruota dal telaio.

## 2.15 Trasporto in auto

- ⚠ AVVERTENZA:** rischio di lesione – La carrozzina non è adatta per essere utilizzata come sedile su nessun tipo di veicolo motorizzato.
- ⚠ AVVERTENZA:** rischio di lesioni. Controllare che la carrozzina sia collegata in modo adeguato, in modo da evitare lesioni ai passeggeri durante gli urti o frenate brusche.
- ⚠ AVVERTENZA:** rischio di lesione. **NON** utilizzare la stessa cintura di sicurezza per il passeggero e la carrozzina.

Non utilizzare mai la carrozzina come sedile su nessun veicolo motorizzato. La carrozzina deve essere marcata con il seguente simbolo.



Per il trasporto in macchina della carrozzina seguire le istruzioni:

1. Rimuovere i poggia piedi e gli accessori.
2. Conservare i poggia piedi e gli accessori in un posto sicuro.
3. Se possibile ripiegare la carrozzina e rimuovere le ruote.
4. Sistemare la carrozzina nel portabagagli.
5. Se lo scomparto della carrozzina e del passeggero **NON** sono separati, collegare il telaio della carrozzina in modo saldo al veicolo. È possibile utilizzare le cinture di sicurezza disponibili nel veicolo.



## 3 Installazione e regolazione

Le istruzioni contenute nel presente capitolo sono destinate al rivenditore.

La carrozzina Vermeiren V100 XL è stata messa a punto per essere regolata con un numero minimo di parti di ricambio. Non è necessario un altro set di parti di ricambio.

Per ricercare un centro assistenza o un rivenditore specializzato nelle vicinanze, contattare il più vicino centro Vermeiren. Nell'ultima pagina è presente una lista dei centri Vermeiren.

- ⚠ **AVVERTENZA:** Pericolo di limiti non sicuri. Utilizzare solo i limiti descritti nel presente manuale.
- ⚠ **AVVERTENZA:** La variazione delle regolazioni permesse può tuttavia cambiare la stabilità della vostra carrozzina (piegandola indietro o lateralmente).

### 3.1 Attrezzi

Per montare la carrozzina sono necessari i seguenti strumenti.

- Set di chiavi dal n°7 al n°22
- Set di chiavi a brugola dal n°3 al n°8
- Cacciavite n°4 e n°5
- Cacciavite a stella

### 3.2 Modalità di consegna

La carrozzina Vermeiren V100 XL può essere distribuita con:

- 1 telaio con poggiaabbraccia, ruote anteriori e posteriori (altezza del sedile 500 mm)
- 1 poggiapiedi
- Attrezzi
- Manuale
- Accessori

### 3.3 Regolazione dell'altezza del sedile

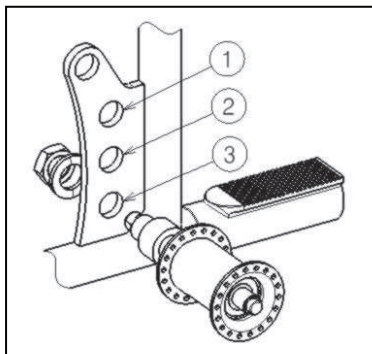
La profondità del sedile della carrozzina Vermeiren V100 XL è regolabile in tre posizioni modificando la posizione delle ruote. A ciascuna altezza è prevista una diversa impostazione delle ruote anteriori e posteriori.

- ⚠ **AVVERTENZA:** il foro superiore della piastra dell'asse non è destinato al montaggio dell'asse posteriore, bensì serve per il montaggio del freno a tamburo.

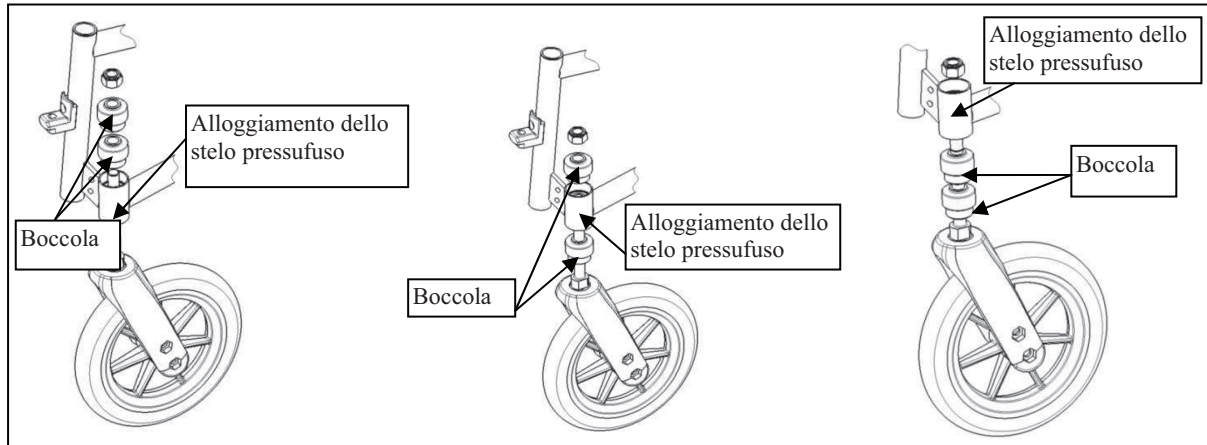
Altezza sedile	Ruota posteriore	Ruota anteriore
470 mm	Foro 1	entrambe le boccole sopra l'alloggiamento dello stelo pressofuso
500 mm (standard)	Foro 2	una boccola sopra e l'altra sotto l'alloggiamento dello stelo pressofuso
530 mm	Foro 3	entrambe le boccole sotto l'alloggiamento dello stelo pressofuso

Tabella 2: Altezze del sedile

Modificare l'altezza del sedile adottando la procedura seguente:



1. Rimuovere le ruote posteriori (vedere § 2.14).
2. Svitare le boccole dell'asse delle ruote posteriori dalla piastra dell'asse.
3. Montare le boccole dell'asse nel foro destro della piastra dell'asse, vedere Tabella 2.
4. Verificare che le boccole dell'asse siano strette in modo saldo.

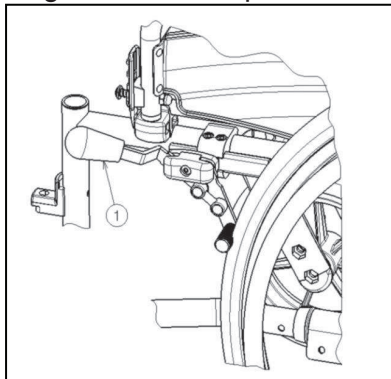


5. Allentare gli assi rotanti delle ruote anteriori.
6. Sistemare le boccole in base a quanto riportato nella tabella 2.
7. Installare gli assi rotanti sulle ruote anteriori e serrarli. Verificare la tensione dell'asse rotante in modo che ruoti senza problemi, ma che non sia presente spazio per il movimento.
8. Montare le ruote posteriori.
9. Se installati correttamente gli assi rotanti delle ruote anteriori devono essere perpendicolari al suolo. Verificare che lo siano.
10. Regolare i freni in base a quanto riportato nel § 3.4.

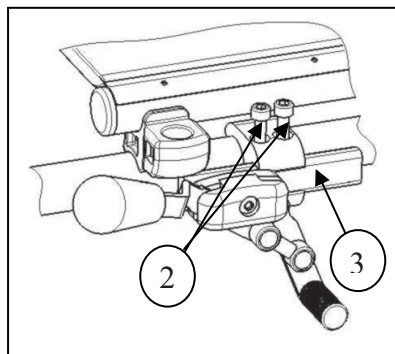
### 3.4 Regolare i freni

**⚠ AVVERTENZA: rischio di lesione. I freni devono essere regolati solo dal rivenditore.**

Regolare i freni rispettando le regole seguenti:



1. Installare le ruote in base a quanto riportato nel § 2.2.
2. Scollegare i freni tirando la leva ① all'indietro.

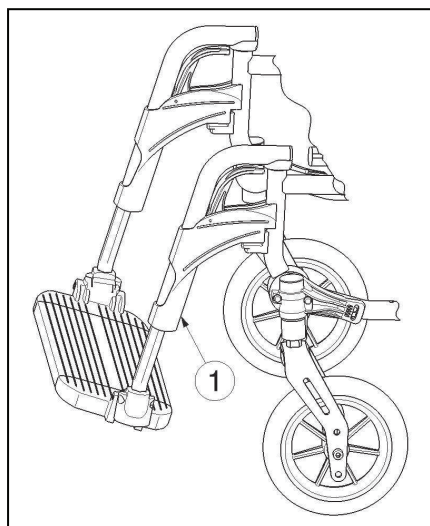


3. Allentare i bulloni ② in modo che il meccanismo del freno possa scorrere oltre la guida ③.
4. Tirare il freno oltre la guida ③ nella posizione desiderata.
5. Serrare nuovamente i bulloni ②.
6. Verificare il funzionamento dei freni.
7. Se necessario ripetere la procedura precedente fino a quando i freni non siano regolati correttamente.

### 3.5 Regolazione del poggipiedi

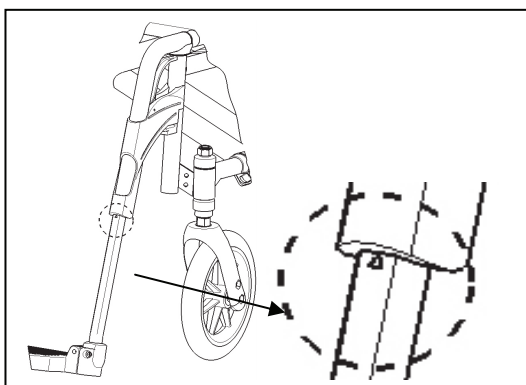
#### 3.5.1 Altezza del poggipiedi

**⚠ ATTENZIONE:** rischio di danneggiamento - Evitare che il poggipiedi siano a contatto con il suolo. Tenere una distanza minima di 6 cm dal suolo.



Regolare l'altezza del poggipiedi nel modo seguente:

1. Rimuovere la vite ① sul retro del poggipiedi.
2. Regolare il poggipiedi a un'altezza confortevole per il paziente.
3. Serrare la vite ① in modo adeguato.



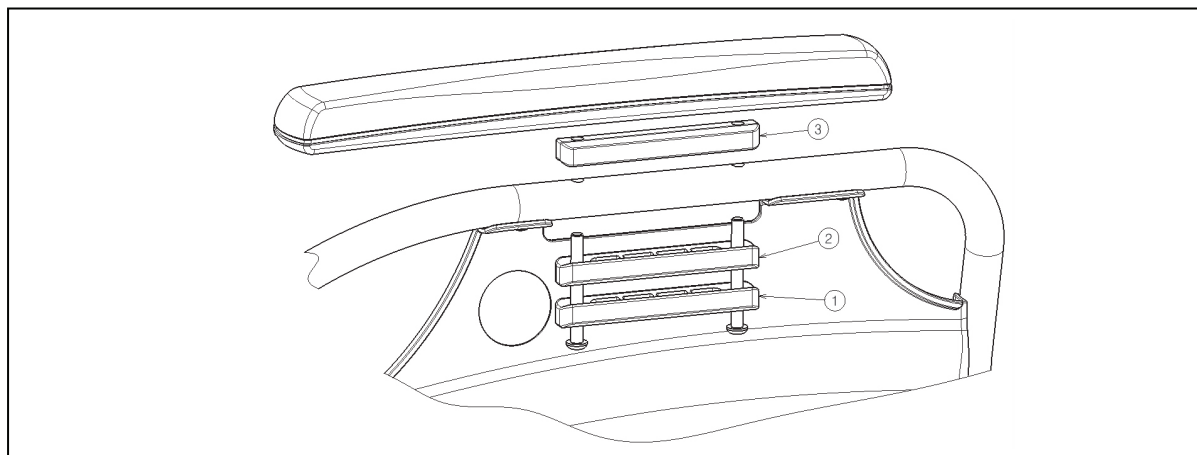
L'altezza regolabile massima per il poggipiedi è indicata sul tubo da un triangolo.

### 3.6 Regolazione del poggibraccia

È possibile regolare il poggibraccia della carrozzina in altezza e in profondità. L'altezza del poggibraccia è regolabile in tre posizioni.

Altezza del poggibraccia rispetto al sedile	Numero di blocchi sotto il tubo	Numero di blocchi tra il tubo e i braccioli
220 mm (standard)	2	1
230 mm	1	2
240 mm	0	3

Tabella 3: Altezza del poggibraccia



La profondità del bracciolo è regolabile in tre posizioni.

Profondità del bracciolo	Fori utilizzati
Posizione anteriore	Posteriore e centrale
Posizione centrale (standard)	Foro 2 e 4
Posizione posteriore	Anteriore e centrale

Tabella 4: Profondità del bracciolo

Regolare l'altezza e la profondità del bracciolo nel modo seguente:

1. Rimuovere entrambe le viti che si trovano sotto il bracciolo.
2. Sistemare il numero corretto di blocchi sotto e sopra i tubi, vedere la tabella 3.
3. Installare il bracciolo con i fori richiesti per la regolazione della profondità.

## 4 Manutenzione

La durata prevista di questa carrozzina è di 8 anni. La durata della carrozzina dipende dalle condizioni d'uso, conservazione, manutenzione regolare, manutenzione e pulizia.

### 4.1 Manutenzione regolare

Di seguito sono descritte le attività di manutenzione per garantire una condizione adeguata alla carrozzina Vermeiren

- Prima di ogni utilizzo
  - Controllare gli pneumatici e farli pulire. Se necessario cambiare lo pneumatico.
  - Controllare le viti siano ben serrate.
  - Controllare i freni e regolare se necessario.
  - Controllare la carrozzina (pulizia, rotture, danni sulle parti strutturali ecc.) e farla pulire. Se necessario sostituire il rivestimento.
- Ogni 8 settimane: ispezione e lubrificazione o regolazione da
  - Poggiabraccia
  - Poggiapiedi
  - Leva del freno
  - Assi delle ruote
- Ogni sei mesi o per ogni nuovo utente
  - Esame generale
  - Disinfezione
  - Ruote anteriori, possibilmente pulire i cuscinetti

Per comodità, sul retro del manuale è riportato un piano di manutenzione.

Per la riparazione e il montaggio delle parti di ricambio della carrozzina occorre rivolgersi al rivenditore.

Installare solo le parti di ricambio autorizzate Vermeiren.

## **4.2 Trasporto e conservazione**

Attenersi alle istruzioni seguenti per la trasporto e conservazione della carrozzina:

- Conservare solo in ambienti asciutti (+5 ÷ +41 °C).
- Umidità relativa tra 30 e il 70 %.
- Fornire copertura o imballaggio adeguato per proteggere la carrozzina da ruggine e oggetti estranei (ad es., acqua salata, aria salmastra, sabbia, polvere).
- Conservare tutte le parti rimosse insieme (o contrassegnarle se necessario) per evitare di confonderle con altri prodotti al momento del rimontaggio.
- Conservare i componenti senza sottoporli a sollecitazioni (non poggiare parti pesanti sulla carrozzina, non incastrarla tra altri oggetti, ecc.).

## **4.3 Pulizia**

### **4.3.1 Imbottitura del sedile e dello schienale**

Per la pulizia delle imbottiture del sedile e dello schienale attenersi a quanto riportato di seguito:

- Pulire il sedile e lo schienale con un panno inumidito con acqua calda. Prestare attenzione a non bagnare eccessivamente le imbottiture del sedile e dello schienale.
- Per rimuovere lo sporco più resistente, utilizzare un detergente delicato disponibile in commercio.
- Eliminare le macchie con una spugna o una spazzola morbida.
- Non utilizzare detergenti aggressivi, ad esempio solventi, né spazzole dure.
- Non pulire con dispositivi a vapore e/o a pressione.

### **4.3.2 Parti in plastica**

Per pulire tutte le parti in plastica della carrozzina, utilizzare detergenti per plastica disponibili in commercio. Utilizzare solo una spazzola o una spugna morbida.

Ad esempio le parti in plastica sono i braccioli, i poggiatesta, le maniglie, gli pneumatici, ecc.

### **4.3.3 Rivestimento**

La qualità elevata del trattamento superficiale garantisce una protezione ottimale contro la corrosione. Se il rivestimento esterno è danneggiato da rigature o in altri modi, far riparare la superficie dal rivenditore.

Durante la pulizia, utilizzare solo acqua tiepida e detergenti per uso domestico, con spazzole e panni morbidi. Non far entrare umidità all'interno dei tubi.

Per la pulizia iniziale delle parti zincate utilizzare un panno asciutto. È possibile rimuovere lo sporco ostinato utilizzando un lucidante apposito per lo zinco disponibile in commercio.

## 4.4 Controllo

È preferibile inizialmente un'ispezione all'anno e almeno una prima della ripresa dell'utilizzo. Eseguire tutti i controlli seguenti, che vanno documentati da persone autorizzate:

- Verificare le parti del telaio e i tubi incernierati per escludere deformazioni della plastica, rotture e malfunzionamento.
- Controllare visivamente per escludere danni alla verniciatura (pericolo di corrosione)
- Verificare il funzionamento delle ruote (ruotano liberamente e a livello, gioco dell'asse, pneumatici, profilo, condizione dei corrimano, pressione degli pneumatici, in caso di pneumatici con camera d'aria, assi basculanti, ecc.).
- Verificare che tutte le viti siano in sede e salde.
- Verificare la quantità di grasso sulle giunzioni metalliche delle parti mobili
- Condizione e sicurezza delle guide e degli assi delle ruote direttrici
- Ispezionare visivamente le parti in plastica per escludere rotture e punti indeboliti
- Verificare il funzionamento dei braccioli e dei poggiamambe (bloccaggio, carico, deformazione, usura da carico).
- Controllare il funzionamento delle altre parti rimovibili (ad esempio: dispositivo antiribaltamento, cintura di sicurezza personale, installazione dello schienale/sedile, ecc.)
- Completezza della condizione di consegna: il manuale di istruzioni è disponibile?

Gli interventi di manutenzione, se sono stati controllati almeno aspetti menzionati, devono essere riportati nella scheda del piano di manutenzione.

## 4.5 Disinfezione

- ⚠ **AVVERTENZA: prodotti pericolosi. L'utilizzo di disinfettanti è limitato al personale autorizzato.**
- ⚠ **AVVERTENZA: prodotti pericolosi, irritanti per la pelle. Indossare indumenti protettivi adeguati poiché i disinfettanti possono irritare la pelle. Attenersi alle istruzioni allegate ai prodotti disinfettanti.**

Tutte le parti della carrozzina possono essere trattate con un disinfettante.

Tutte le disposizioni in materia di disinfezione di presidi medico-sanitari per riabilitazione, i loro componenti o accessori sono riportate in una guida alla disinfezione contenente almeno le seguenti informazioni e allegata alla documentazione del prodotto:

Data della disinfezione	Motivo	Specifica	Sostanza e concentrazione	Firma
-------------------------	--------	-----------	---------------------------	-------

Tabella 5: Esempio di guida alla disinfezione

Segle utilizzate in colonna 2 (motivo):

V = Sospetta infezione    IF = Infezione    W = Ripetizione    I = Controllo

Per un foglio bianco della guida alla disinfezione, vedere § 9.

I disinfettanti consigliati (come da elenco del Robert Koch Institute (RKI)) sono riportati nella tabella che segue. Richiedere l'aggiornamento dei disinfettanti riportati nell'elenco RKI al Robert Koch Institute (sito Web: [www.rki.de](http://www.rki.de)).

Principio attivo	Nome del prodotto	Disinfezione per lavaggio		Disinfezione della superficie (disinfezione per sfregamento /con un panno)		Disinfezione di escrezioni 1 parte di espettorato o feci + 2 parti di soluzione diluita o 1 parte di urina + 1 parte di soluzione diluita						Area di efficacia	Produttore o fornitore
		Prodotto diluito	Tempo di azione	Prodotto diluito	Tempo di azione	Espettorato		Feci		Urina			
						Prodotto diluito	Tempo di azione	Prodotto diluito	Tempo di azione	Prodotto diluito	Tempo di azione		
		%	Ore	%	Ore	%	Ore	%	Ore	%	Ore		
Fenolo o derivati	Amocid	1	12	5	6	5	4	5	6	5	2	A	Lysoform
	Gevisol	0,5	12	5	4	5	4	5	6	5	2	A	Schülke & Mayer
	Helipur			6	4	6	4	6	6	6	2	A	B. Braun
	soluzione con sapone m-cresilico (DAB 6)	1	12	5	4							A	
	Fenolo	1	12	3	2							A	
Cloro, sostanze organiche e inorganiche con cloro attivo	Cloramina T DAB 9	1,5	12	2,5	2	5	4					A <sup>1</sup> B	
	Clorina	1,5	12	2,5	2	5	4					A <sup>1</sup> B	Lysoform
	Trichlorol	2	12	3	2	6	4					A <sup>1</sup> B	Lysoform
Perossidi	Apesin AP100 <sup>2</sup>			4	4							AB	Tana PROFESSIONAL
	Dismozon pur <sup>2</sup>			4	1							AB	Bode Chemie
	Perform <sup>2</sup>			3	4							AB	Schülke & Mayer
	Wofesteril <sup>2</sup>			2	4							AB	Kesla Pharma
Formaldeide e/o altre aldeidi o derivati	Aldasan 2000			4	4							AB	Lysoform
	Antifect FD 10			3	4							AB	Schülke & Mayer
	Disinfezione della superficie Antiseptica 7			3	6							AB	Antiseptica
	Apesin AP30			5	4							A	Tana PROFESSIONAL
	Bacillocid special			6	4							AB	Bode Chemie
	Buraton 10F			3	4							AB	Schülke & Mayr
	Desomed A 2000			3	6							AB	Desomed
	Detergente disinfettante ospedaliero			8	6							AB	Dreiturm
	Desomed Perfekt			7	4							AB <sup>*</sup>	Desomed
	Soluzione a base di formaldeide (DAB 10), (formalina)	1,5	12	3	4							AB	
	Incidin Perfekt	1	12	3	4							AB	Ecolab
	Incidin Plus			8	6							A	Ecolab
	Kohrsolin	2	12	3	4							AB	Bode Chemie
	Lysoform	4	12	5	6							AB	Lysoform
	Lysoformin	3	12	5	6							AB	Lysoform
	Lysoformin 2000			4	6							AB	Lysoform
	Melsept	2	12	4	6							AB	B. Braun
	Melsitt	4	12	10	4							AB	B. Braun
	Minutil	2	12	6	4							AB	Ecolab
	Multidor			3	6							AB	Ecolab
Nüscopept			5	4							AB	Dr. Nüsken Chemie	
Optisept			7	4							AB <sup>*</sup>	Dr. Schumacher	
Pursept-FD			7	4							AB <sup>*</sup>	Merz	
Ultrasol F	3	12	5	4							AB	Fresenius Kabi	
Surfattanti anfoterici (amfotensiden)	Tensodur 103	2	12									A	MFH Marienfelde
Lye	Latte di calce <sup>3</sup>						20	6			A <sup>3</sup> B		

1 Non efficace contro i micobatteri, particolarmente in presenza di sangue, nella disinfezione di servizio.  
2 Non adatto per la disinfezione di superfici contaminate da sangue o porose (ad es., legno grezzo).  
3 Non utilizzabile in caso di tubercolosi; preparazione del latte di calce: 1 parte di calce sciolta (idrossido di calcio) + 3 parti d'acqua.  
\* Efficacia controllata sui virus, in accordo con i metodi di controllo del RKI (report salute federale 38 (1995) 242).  
A: adatto per l'abbattimento di vegetazioni batteriche compresi i micobatteri e funghi, spore incluse.  
B: adatto per la disattivazione di virus.

Tabella 6: Disinfettanti

Rivolgersi al rivenditore in caso di dubbi su questioni relative alla disinfezione, sarà a disposizione.



## 5 Garanzia

Tranne per le "Condizioni generali aziendali":

(...)

5. Il periodo per i reclami in garanzia è pari a 24 mesi. Come conseguenza ai requisiti superiori di qualità, possiamo aumentare la finestra temporale sui reclami di garanzia, al di là di questi requisiti fondamentali ed obbligatori per

(...)

-Telaio e crociera-cerniera delle carrozzine

4 anni

Non rientrano in garanzia danni derivanti da modifiche strutturali ai prodotti, scarsa manutenzione, gestione o conservazione difettosa o impropria, né utilizzo di parti non originali. Non rientrano inoltre in garanzia parti o parti operative soggette a usura e logoramento naturali.

(...)

## 6 Smaltimento

Al momento dello smaltimento della carrozzina, contattare il centro di raccolta locale o restituire il prodotto al rivenditore, che dopo averla sottoposta a una procedura igienica la potrà inviare al produttore che la smaltirà e riciclerà nel modo corretto, separando componenti e materiali.

I materiali di imballaggio possono essere portati ai centri di raccolta o riconsegnati al rivenditore.

## 7 Dichiarazione di conformità

**Il fabbricante o il distributore :**

N.V. VERMEIREN N.V

**Indirizzo :**

Vermeirenplein 1/15  
2920 Kalmthout  
Belgio

**dichiara sotto la propria responsabilità, che i seguenti dispositivi medici marchiati CE:**

Gruppo Prodotto:	Carrozze manuali
Marchio:	Vermeiren
Tipo:	V100 XL

**sono classificati come di Classe I, come da allegato IX 93/42/CEE, riga 1,**

**e vengono fabbricati secondo le normative sotto riportate, comprese le ultime variazioni e secondo la legge nazionale che regolamenta dette direttive :**

Normative sui dispositivi medici 93/42/CEE

**e rispettano le seguenti normative europee armonizzate:**

EN 12182: 1999, EN 12183: 2009



IT

## 8 Piano di manutenzione

Data	Manutenzione	Osservazioni	Sigla
1/1/2012	Ingrassaggio e manutenzione generale	no	

## 9 Guida alla disinfezione

Data della disinfezione	Motivo	Specifica	Sostanza e concentrazione	Firma

**Sigle utilizzate in colonna 2 (motivo):**  
**V = Sospetta infezione IF = Infezione W = Ripetizione I = Controllo**

**Índice**

<b>Introducción.....</b>	<b>2</b>
<b>1 Descripción del producto .....</b>	<b>3</b>
1.1 Uso previsto.....	3
1.2 Especificaciones técnicas .....	4
1.3 Esquema .....	5
1.4 Accesorios .....	5
1.5 Placa de identificación de ubicaciones.....	6
1.6 Explicación de los símbolos.....	6
<b>2 Uso.....</b>	<b>6</b>
2.1 Transporte de la silla de ruedas .....	7
2.2 Montaje de las ruedas traseras.....	7
2.3 Despliegue de la silla de ruedas .....	7
2.4 Montaje o extracción de la barra de empuje .....	7
2.5 Montaje y desmontaje del reposapiés.....	8
2.6 Funcionamiento de los frenos .....	8
2.7 Montaje y desmontaje de los soportes de brazos .....	9
2.8 Traslado a y desde la silla de ruedas .....	10
2.9 Posición correcta en la silla de ruedas.....	10
2.10 Conducción de la silla de ruedas .....	10
2.11 Desplazamiento por pendientes.....	11
2.12 Franqueo de peldaños y bordillos.....	11
2.13 Plegado de la silla de ruedas .....	13
2.14 Extracción de las ruedas .....	13
2.15 Transporte en coche.....	13
<b>3 Instalación y ajuste .....</b>	<b>14</b>
3.1 Herramientas .....	14
3.2 Forma de suministro.....	14
3.3 Ajuste de la altura del asiento .....	15
3.4 Ajuste de los frenos .....	16
3.5 Ajuste del reposapiés.....	16
3.6 Ajuste del reposabrazos.....	17
<b>4 Mantenimiento .....</b>	<b>18</b>
4.1 Mantenimiento periódico .....	18
4.2 Envío y almacenamiento .....	18
4.3 Cuidados.....	19
4.4 Inspección.....	19
4.5 Desinfección.....	20
<b>5 Garantía.....</b>	<b>22</b>
<b>6 Eliminación .....</b>	<b>22</b>
<b>7 Declaración de conformidad.....</b>	<b>22</b>
<b>8 Plan de mantenimiento.....</b>	<b>23</b>
<b>9 Registro de desinfección .....</b>	<b>23</b>



## Introducción

En primer lugar, nos gustaría agradecerle que haya confiado en nosotros escogiendo una de nuestras sillas de ruedas.

Las sillas de ruedas Vermeiren son el resultado de muchos años de experiencia e investigación. Durante su desarrollo, hemos puesto especial atención en crear una silla de ruedas práctica y fácil de usar.

La vida útil de ocho años de su silla de ruedas dependerá en gran medida de los cuidados y el mantenimiento que le dedique.

Este manual le permitirá familiarizarse con el funcionamiento de su silla de ruedas.

El seguimiento de las instrucciones para el usuario y de las instrucciones de mantenimiento son parte indispensable de la garantía.

Este manual incluye las mejoras de producto más recientes. Vermeiren, se reserva el derecho de introducir cambios sin tener ninguna obligación de adaptar o sustituir los modelos entregados previamente.

Si tiene más preguntas, le rogamos que consulte a su distribuidor especializado.

## 1 Descripción del producto

### 1.1 *Uso previsto*

La silla de ruedas está diseñada para personas con movilidad reducida o nula.

La silla de ruedas está diseñada para transportar 1 persona.

La silla de ruedas puede ser usada en el interior y en el exterior.

El usuario puede propulsar él mismo la silla de ruedas o disponer de un acompañante que la empuje.

Los diferentes tipos de accesorios y su construcción modular permiten que sea usada plenamente por personas discapacitadas debido a:

- parálisis,
- pérdida de miembros (amputación de piernas),
- defectos en los miembros o deformaciones,
- articulaciones anquilosadas o dañadas,
- insuficiencias cardíacas o circulatorias,
- problemas de equilibrio,
- caquexia (atrofia muscular),
- así como por ancianos.

En cada caso particular, se debe tener también en cuenta:

- la envergadura y el peso (máx. 170 kg),
- el estado físico y psicológico,
- las características de la vivienda,
- el entorno.

Utilice la silla de ruedas únicamente en superficies que permitan que las cuatro ruedas estén en contacto con el suelo y donde haya suficiente contacto para propulsar las ruedas por igual.

Es necesario que practique para poder desplazarse por superficies irregulares (adoquines, etc.), pendientes, curvas y para superar obstáculos (bordillos, etc.).

La silla de ruedas no debe usarse como escalera, ni tampoco como medio de transporte para objetos pesados o calientes.

Si la utiliza encima de alfombras, suelos enmoquetados o sobre suelos con recubrimientos que no estén fijados, pueden dañarse estos recubrimientos.

Sólo use accesorios Vermeiren aprobados.

El fabricante no se hace responsable de los daños causados por la falta de mantenimiento, un mantenimiento inadecuado o como resultado de no observar las instrucciones indicadas en este manual.

El cumplimiento de las instrucciones del usuario y de mantenimiento es parte indispensable de la garantía.

## 1.2 Especificaciones técnicas

Las condiciones técnicas indicadas a continuación son válidas para sillas de ruedas de configuración estándar. En caso de utilizar reposapiés/reposabrazos u otros accesorios diferentes a los indicados, los valores cambian.

Fabricante	Vermeiren		
Dirección	Vermeirenplein 1/15, B-2920 Kalmthout		
Tipo	Silla de ruedas manual		
Modelo	V100 XL		
Peso máximo del ocupante	170 kg		
Descripción		Dimensioni	
Anchura útil del asiento	530 mm	560 mm	600 mm
Anchura total (depende de la anchura del asiento)	740 mm	770 mm	810 mm
Descripción		Dimensioni Mín.	Dimensioni Máx.
Longitud total con apoya piernas	1060 mm		
Longitud plegada	1060 mm		
Anchura plegada	375 mm		
Altura plegada	890 mm	950 mm	
Peso total	21,4 kg		
Peso de la parte más pesada	13,7 kg		
Peso de los que se puede desmontar o quitar	<b>Reposapiés: 1,75 kg; Soportes de reposabrazos: 1,80 kg; Ruedas traseras: 4,05 kg</b>		
Estabilidad estática en pendientes descendientes	7°		
Estabilidad estática en pendientes ascendientes	9°		
Estabilidad estática lateral	18°		
Superación de obstáculos	60 mm		
Ángulo plano del asiento	5°		
Profundidad útil del asiento	490 mm		
Altura de la superficie del asiento en la parte delantera	470 mm	530 mm	
Ángulo del respaldo	5°		
Altura del respaldo	380 mm		
Distancia entre reposapiés y asiento	450 mm		
Ángulo entre asiento y reposapiés	10°		
Distancia entre reposabrazos y asiento	220 mm	240 mm	
Ubicación delantera de la estructura del reposabrazos	410 mm		
Diámetro del aro de propulsión	535 mm		
Ubicación horizontal del eje (deflexión)	20 mm		
Radio de giro mínimo	1616 mm		
Diámetro de ruedas traseras Krypton PUR	22"	24"	
Presión de los neumáticos, ruedas traseras (de tracción)	Máx. 3,5 bar		
Diámetro de las ruedas de dirección Krypton PUR	200 mm		
Presión de los neumáticos, ruedas de dirección	Máx. 2,5 bar		
Temperatura de almacenamiento y de uso	+5 °C	+41 °C	
Humedad de almacenamiento y de uso	30%	70%	
<b>Reservado el derecho de aplicar modificaciones técnicas. Tolerancia de las medidas ±15 mm/ 1,5 kg/°</b>			

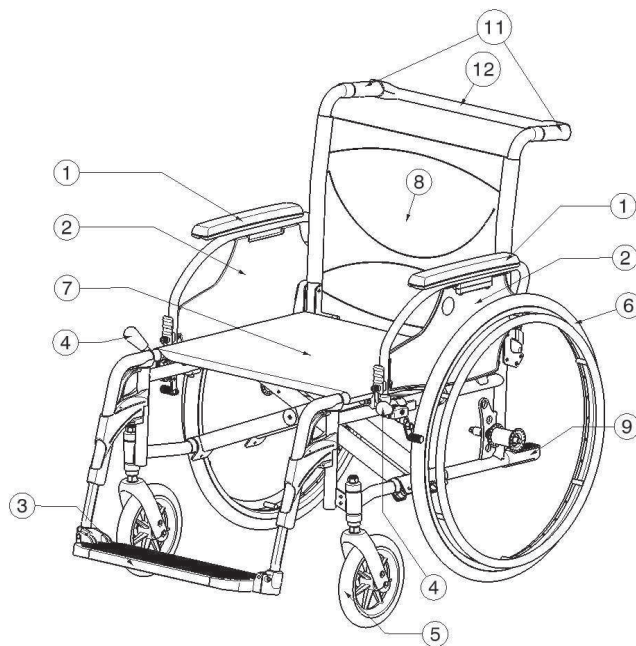
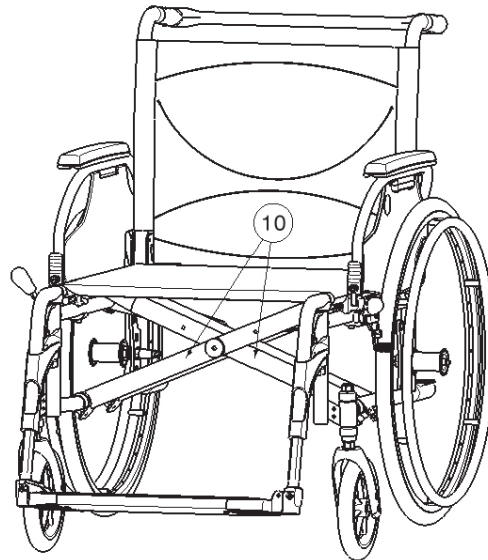
Tabla 1: Especificaciones técnicas

La silla de ruedas cumple las especificaciones siguientes:

ISO 7176-8: Especificaciones y métodos de prueba de resistencia estática, a impactos y a la fatiga.

ISO 7176-16: Resistencia a la ignición de los componentes tapizados.

### 1.3 Esquema



- 1 = Reposabrazos
- 2 = Soportes de reposabrazos
- 3 = Reposapiés
- 4 = Frenos
- 5 = Ruedas de dirección (ruedas delanteras)
- 6 = Ruedas de tracción (ruedas traseras)
- 7 = Asiento
- 8 = Respaldo
- 9 = Tapón del extremo
- 10 = Cruceta
- 11 = Empuñaduras
- 12 = Barra de empuje

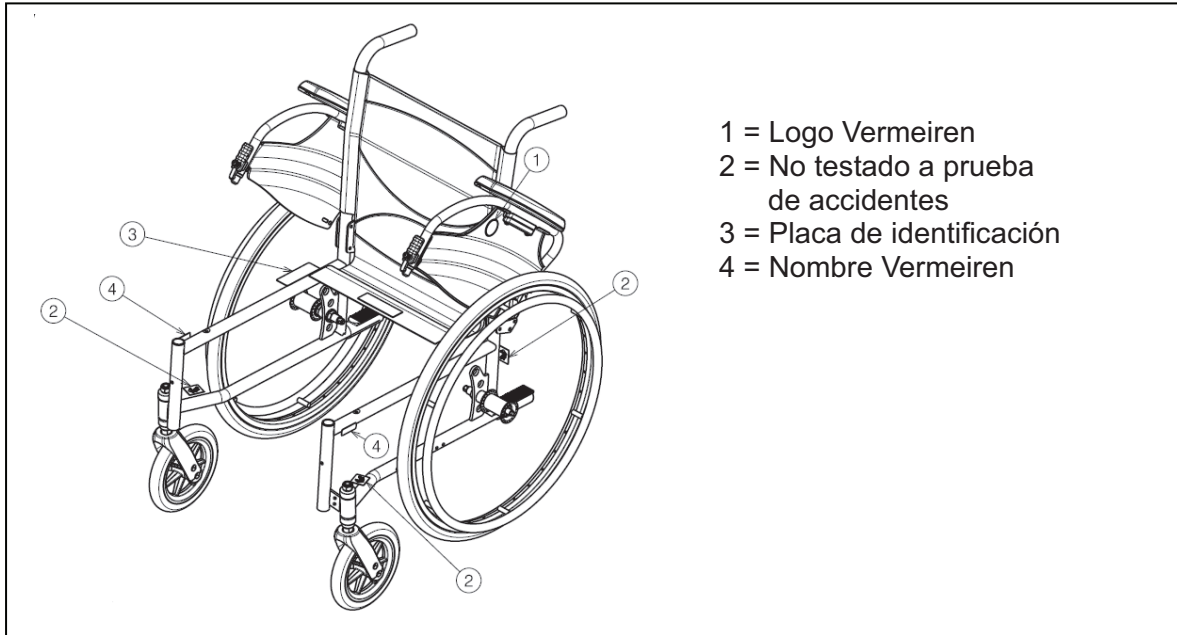
### 1.4 Accesorios

La V100 XL cuenta con los siguientes accesorios:

- Cinturón pélvico anterior (B20) para su montaje en los tubos de la parte trasera (consulte el manual)
- Dispositivo antivuelcos (B78) para su montaje en el armazón inferior (consulte el manual)



## 1.5 Placa de identificación de ubicaciones



## 1.6 Explicación de los símbolos



Peso máximo



Uso en el interior y en el exterior



Pendiente descendente



Pendiente ascendente



Conformidad con la normativa CE



No testado a prueba de accidentes

## 2 Uso

Este capítulo describe el uso diario. **Estas instrucciones están destinadas al usuario y a los distribuidores especializados.**

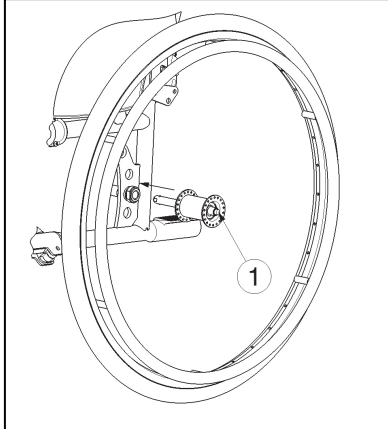
La silla de ruedas se entrega completamente montada por su distribuidor especializado. Las instrucciones dirigidas al distribuidor especializado con respecto al montaje de la silla de ruedas se encuentran en el capítulo 3.

## 2.1 Transporte de la silla de ruedas

La mejor forma de transportar la silla es empujarla y utilizar las ruedas.

Si no es posible (porque haya que levantar las ruedas traseras para cargarla en un coche, por ejemplo), cójala por el armazón delantero y por los asideros. No la coja por la base, los reposabrazos o las ruedas.

## 2.2 Montaje de las ruedas traseras



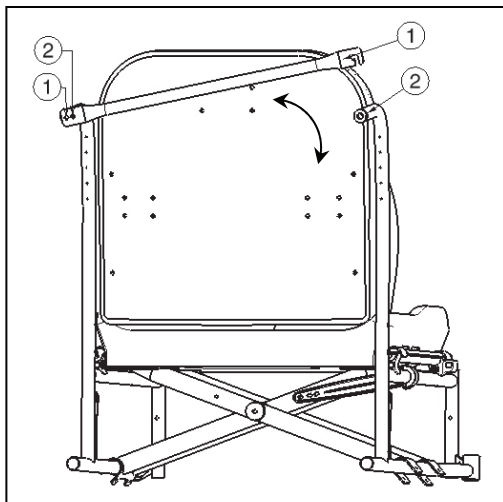
1. Sujete la rueda trasera y presione el botón ①.
2. Mantenga el botón presionado y monte el eje de las ruedas traseras hasta el tope.
3. Suelte el botón.
4. Compruebe que las ruedas están seguras.

## 2.3 Despliegue de la silla de ruedas

**⚠ ATENCIÓN: Riesgo de que los dedos queden atrapados: mantenga los dedos alejados de las partes móviles de la silla de ruedas.**

1. Sitúese detrás de la silla de ruedas.
2. Use las empuñaduras para abrir la silla de ruedas tanto como le sea posible.
3. Sitúese delante de la silla de ruedas.
4. Empuje los dos tubos del asiento hacia abajo hasta que queden fijados en su posición.
5. Monte la barra de empuje en la empuñadura derecha (situándose detrás de la silla de ruedas).

## 2.4 Montaje o extracción de la barra de empuje



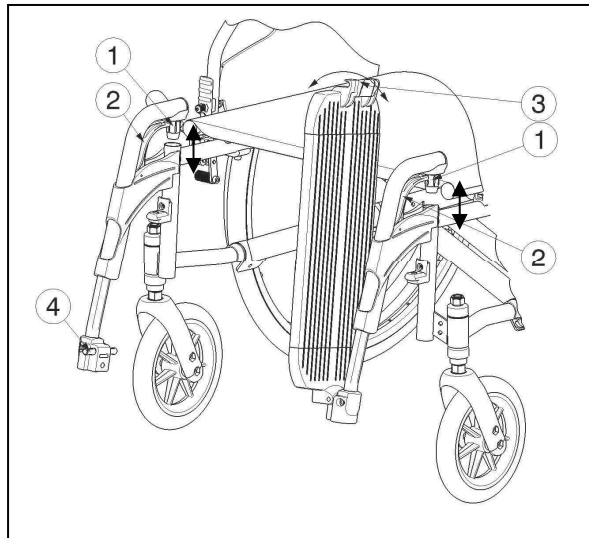
El montaje de la barra de empuje se realiza del modo siguiente:

1. Monte la barra de empuje con el pomo de estrella en la empuñadura izquierda.
2. Gire la barra de empuje hacia la derecha.
3. Monte el gancho ① en la empuñadura derecha ②. Si es difícil realizar este paso, es posible que la barra de empuje sea demasiado larga. Coloque la barra de empuje en la empuñadura izquierda con el pomo de estrella en el agujero ②.

Para retirar la barra de empuje:

1. Afloje el pomo de estrella de la empuñadura derecha.
2. Retire el gancho ① de la empuñadura derecha ②.

## 2.5 Montaje y desmontaje del reposapiés



El montaje del reposapiés se realiza del modo siguiente:

1. Mantenga el reposapiés en posición vertical por la parte externa del chasis de la silla de ruedas e inserte el capuchón del tubo ① en el armazón.
2. Gire el reposapiés hacia el interior hasta que encaje en su posición con un clic.
3. Gire la base del estribo hacia abajo hasta que el gancho ③ se acople con el pasador ④.

Para retirar los reposapiés:

1. Afloje el gancho ③ del pasador ④.
2. Gire la base del estribo hacia arriba.
3. Tire del asa ②.
4. Gire el reposapiés hacia la parte exterior de la silla de ruedas hasta que se afloje de la guía.
5. Saque el reposapiés del capuchón del tubo ①.

## 2.6 Funcionamiento de los frenos

- ⚠ **ADVERTENCIA:** Los frenos no se utilizan para reducir la velocidad de la silla de ruedas durante los movimientos. Utilice los frenos sólo para evitar que la silla de ruedas efectúe movimientos no deseados.
- ⚠ **ADVERTENCIA:** El buen funcionamiento de los frenos depende del desgaste y de las condiciones de los neumáticos (agua, aceite, fango...). Verifique el estado de los neumáticos antes de cada uso.
- ⚠ **ADVERTENCIA:** Los frenos son regulables y pueden desgastarse. Compruebe el funcionamiento de los frenos antes de usarlos.

Para accionar los frenos:

1. Empuje las palancas del freno hacia delante hasta que oiga un clic.

- ⚠ **ATENCIÓN:** Riesgo de movimientos no deseados: asegúrese de que la silla de ruedas se encuentra sobre una superficie horizontal plana antes de soltar los frenos. Nunca suelte ambos frenos simultáneamente.

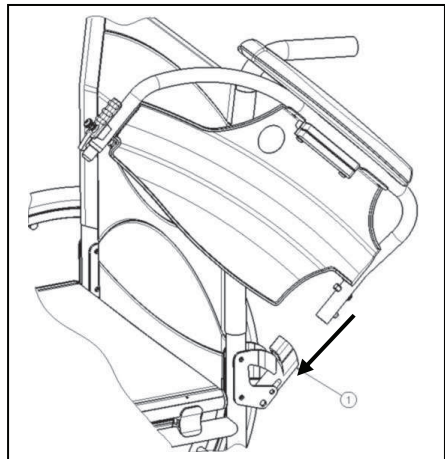
Para soltar los frenos:

1. Tire de la palanca hacia atrás para soltar un freno.
2. Sujete el aro de propulsión de la rueda que haya soltado.
3. Tire de la palanca del segundo freno hacia atrás.

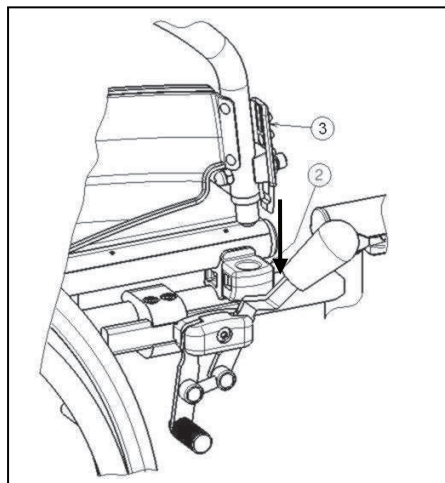
## 2.7 Montaje y desmontaje de los soportes de brazos

Los reposabrazos de la silla de ruedas pueden montaje con las instrucciones siguientes.

**⚠ ATENCIÓN:** Riesgo de que los dedos queden atrapados: mantenga los dedos, las hebillas y la ropa alejados de la parte inferior del reposabrazos.

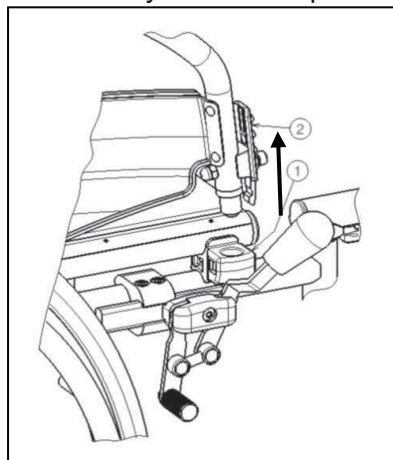


1. Monte el tubo posterior del reposabrazos en el capuchón del tubo ①.
2. Asegúrese de que el reposabrazos hace clic en el mecanismo de bloqueo.
3. Pliegue el reposabrazos hacia delante.



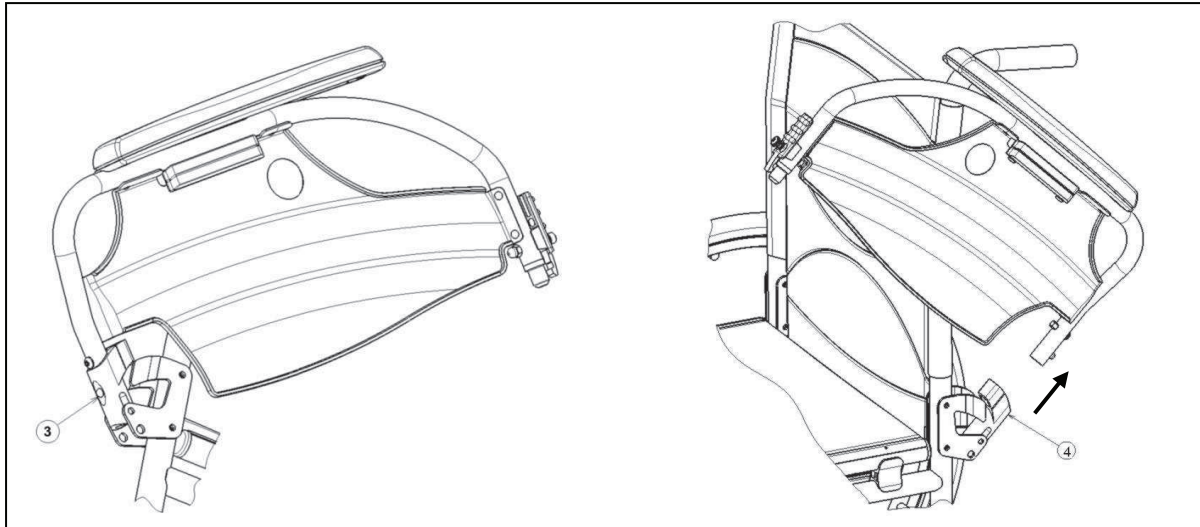
4. Inserte, hasta oír un clic, el tubo frontal del reposabrazos en el capuchón del tubo ②.

Para abrir y retirar el reposabrazos:



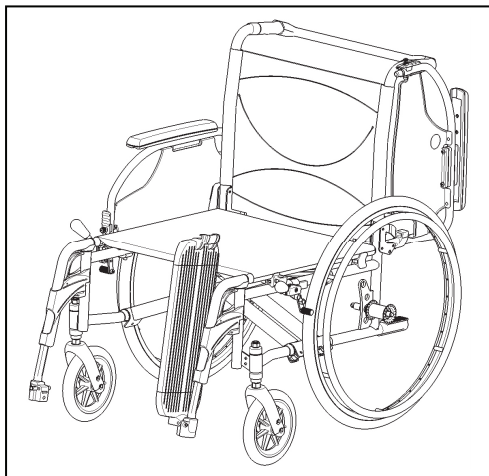
1. Presione la palanca ② y tire de la parte delantera del reposabrazos hacia arriba.
2. Pliegue el reposabrazos hacia atrás.

3. Para retirar el reposabrazos, pulse el botón ③ y extraiga la parte posterior del reposabrazos del capuchón del tubo ④.



## 2.8 Traslado a y desde la silla de ruedas

- ⚠ **ATENCIÓN:** En caso de no poder realizar el traslado de forma segura, pida a alguien que le ayude.
- ⚠ **ATENCIÓN:** Riesgo de volcar la silla de ruedas: no se apoye en las bases de los estribos.



1. Coloque la silla de ruedas lo más cerca posible de la silla, sillón o cama a/de la cual desea trasladarse.
2. Compruebe que ambos frenos de la silla de ruedas están accionados.
3. Pliegue las bases de los estribos hacia arriba para evitar apoyarse en ellos.
4. Si el traslado se realiza por el lateral de la silla de ruedas, pliegue el reposabrazos de ese lado hacia arriba. (véase el apartado 2.7)
5. Traslado a/desde la silla de ruedas.

## 2.9 Posición correcta en la silla de ruedas

Algunas recomendaciones para un uso confortable de la silla de ruedas:

- Coloque la espalda lo más cerca posible del respaldo.
- Asegúrese de que la parte superior de las piernas se encuentra en posición horizontal. En caso necesario ajuste la longitud de los reposapiés. (véase el apartado 3.5)

## 2.10 Conducción de la silla de ruedas

- ⚠ **ADVERTENCIA:** Riesgo de que los dedos queden atrapados: tenga cuidado de no pillarse los dedos entre los radios de las ruedas.
- ⚠ **ADVERTENCIA:** Riesgo de que los dedos queden atrapados: tenga cuidado al pasar por lugares estrechos (p. ej. puertas).

**⚠ ADVERTENCIA: Riesgo de quemaduras: tenga cuidado cuando circule por entornos calientes o fríos (luz solar, frío extremo, saunas, etc.) durante un período de tiempo prolongado, ya que podría quemarse al tocar el dispositivo - La superficie puede aguantar la temperatura ambiente.**

1. Suelte los frenos.
2. Sujete los dos aros de propulsión por la parte superior.
3. Inclínese hacia delante y empuje los aros de propulsión hacia delante hasta que los brazos queden estirados.
4. Doble los brazos hacia atrás, hacia la parte superior de los aros de propulsión y repita el movimiento.

## 2.11 Desplazamiento por pendientes

**⚠ ADVERTENCIA: Controle su velocidad : desplácese por las pendientes con la mayor lentitud posible.**

**⚠ ADVERTENCIA: Tenga en cuenta las capacidades de su acompañante. Si su acompañante no tiene fuerza suficiente para controlar la silla de ruedas, active los frenos.**

**⚠ ADVERTENCIA: Riesgo de vuelco: inclínese hacia delante para desplazar el centro de gravedad hacia delante. Para tener una mejor estabilidad.**



1. Si hay un cinturón de seguridad disponible en la silla de ruedas, abrócheselo.
2. No intente desplazarse por pendientes demasiado inclinadas. Los ángulos de pendiente máximos (ascendentes y descendentes) están indicados en la tabla 1.
3. Pida a un acompañante que le ayude a desplazarse por la pendiente.
4. Inclínese hacia delante para desplazar su centro de gravedad hacia delante.

## 2.12 Franqueo de peldaños y bordillos

### 2.12.1 Bajar peldaños y bordillos

Se pueden bajar bordillos pequeños desplazándose hacia delante. Asegúrese de que los reposapiés no tocan el suelo.



Los usuarios experimentados puede franquear peldaños y bordillos pequeños sin ayuda:

**⚠ ADVERTENCIA: Riesgo de vuelco: si no tiene suficiente experiencia con su silla de ruedas, pida ayuda a un acompañante.**

1. Mantenga el equilibrio sobre las ruedas traseras para reducir la presión sobre las ruedas delanteras.
2. Franquee el bordillo.

Salve los bordillos más altos con la ayuda de un acompañante:

1. Pida al acompañante que incline la silla de ruedas ligeramente hacia atrás.
2. Pase el bordillo desplazándose con las ruedas traseras.
3. Coloque la silla de ruedas de nuevo sobre las cuatro ruedas.





Los usuarios experimentados pueden franquear bordillos altos sin ayuda. Esta acción se realiza mejor de espaldas.

1. Gire la silla de ruedas de forma que las ruedas traseras queden orientadas al bordillo.
2. Inclínese hacia delante para desplazar su centro de gravedad hacia delante.
3. Desplace la silla de ruedas cerca del bordillo.
4. Use el aro de propulsión para hacer rodar la silla de ruedas desde el bordillo de manera controlada.

## 2.12.2 Subir peldaños y bordillos

Para subir peldaños y bordillos con la ayuda de un acompañante, haga lo siguiente:



1. Evite que los reposapiés toquen el bordillo.
2. Pida al acompañante que incline la silla hacia atrás, lo suficiente para desplazar las ruedas delanteras por encima del bordillo.
3. Inclínese hacia atrás para desplazar su centro de gravedad sobre la rueda trasera.
4. Coloque las ruedas delanteras sobre el bordillo.
5. Haga girar las ruedas traseras de la silla de ruedas sobre el bordillo.

Los bordillos más altos se franquean de espaldas:

1. Gire la silla de ruedas de forma que las ruedas traseras queden orientadas al bordillo.
2. Inclínese hacia atrás y desplace su centro de gravedad sobre las ruedas traseras.
3. Pida al acompañante que tire de la silla sobre el bordillo.
4. Vuelva a la posición normal en la silla de ruedas.

Los usuarios experimentados pueden franquear bordillos sin ayuda:

**⚠ ADVERTENCIA: Riesgo de vuelco: si no tiene suficiente experiencia para controlar su silla de ruedas, pida ayuda a un acompañante.**



1. Acérquese hasta el bordillo.
2. Asegúrese de que el reposapiés no toca el bordillo.
3. Inclínese hacia atrás de forma que mantenga el equilibrio sobre las ruedas traseras.



4. Haga rodar las ruedas delanteras manteniendo el equilibrio sobre el bordillo.
5. Inclínese hacia delante para mayor estabilidad.
6. Haga rodar las ruedas traseras sobre el bordillo.



### 2.12.3 Desplazamientos por escaleras

Para desplazarse por las escaleras mientras está en una silla de ruedas, siga las instrucciones siguientes:

**⚠ ADVERTENCIA: Riesgo de vuelco: el desplazamiento por escaleras deberá realizarse siempre con 2 acompañantes.**

1. Retire los reposapiés.
2. Un acompañante inclina la silla de ruedas ligeramente hacia atrás.
3. El segundo acompañante sujeta la parte frontal del chasis.
4. Mantenga la calma, evite los movimientos bruscos y mantenga los brazos dentro de la silla de ruedas.
5. Para desplazarse por las escaleras utilice las ruedas traseras de la silla.
6. Vuelva a montar los reposapiés después de desplazarse las escaleras.

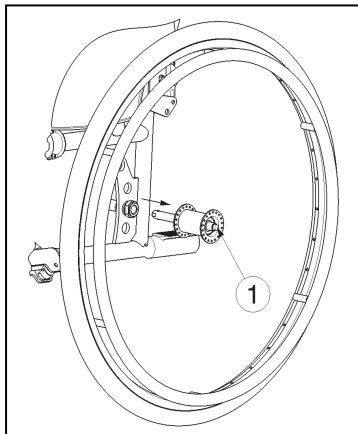
### 2.13 Plegado de la silla de ruedas

**⚠ ATENCIÓN: Peligro de pillarse los dedos: no coloque los dedos entre los componentes de la silla de ruedas.**

1. Pliegue o retire las bases de los estribos (véase el apartado 2.5).
2. Retire la barra de empuje de la empuñadura derecha (situándose detrás de la silla de ruedas).
3. Sujete el asiento por la parte delantera y trasera y tire de él hacia arriba.

### 2.14 Extracción de las ruedas

Para facilitar el transporte de la silla de ruedas, es posible extraer las ruedas traseras:



1. Asegúrese de que los frenos no están activados.
2. Coloque la silla de ruedas del lado del chasis de la rueda que desee extraer.
3. Pulse el botón ① situado en la parte central del cubo de la rueda.
4. Tire de la rueda para extraerla del chasis.

### 2.15 Transporte en coche

**⚠ PELIGRO: Riesgo de lesiones: La silla de ruedas no es apto para utilizarse como asiento en un vehículo a motor.**

**⚠ ADVERTENCIA: Riesgo de lesiones: compruebe que la silla de ruedas se encuentra correctamente fijada. Para evitar cualquier daño a los pasajeros en caso de colisión o frenado brusco.**

**⚠ ADVERTENCIA: Riesgo de lesiones: no utilice NUNCA el mismo cinturón de seguridad para fijar la silla de ruedas y el pasajero.**

Nunca utilice la silla de ruedas como asiento en un automóvil o otro vehículo. La silla debe estar marcada con el siguiente símbolo.



Para transportar la silla de ruedas en el coche, siga los siguientes pasos:

1. Retire los reposapiés y demás accesorios.
2. Guarde de forma segura los reposapiés y demás accesorios.
3. Si es posible, pliegue la silla de ruedas y retire las ruedas.
4. Coloque la silla de ruedas en el compartimento de equipajes.
5. Si la silla de ruedas y el compartimento para pasajeros NO están separados, sujete el chasis de la silla de ruedas de forma segura al vehículo. Puede utilizar los cinturones de seguridad disponibles en el vehículo.

## 3 Instalación y ajuste

**Este capítulo contiene instrucciones destinadas a los distribuidores especializados.**

La silla Vermeiren V100 XL está diseñada para ser regulada mediante un mínimo de piezas de repuesto. No es necesario disponer de un stock extra de piezas de repuesto.

Para encontrar un centro de servicio o un distribuidor especializado cerca de usted, póngase en contacto con el centro Vermeiren más próximo. Puede encontrar una lista con los centros Vermeiren en la última página.

**⚠ ADVERTENCIA: Riesgo por cotos peligrosos; utilice únicamente los cotos indicados en este manual.**

**⚠ ADVERTENCIA: Realizar ajustes en la silla puede variar su estabilidad (inclinaciones hacia atrás o hacia los lados).**

### 3.1 Herramientas

Para montar la silla de ruedas, necesita las siguientes herramientas.

- Juego de llaves inglesas del 7 al 22
- Juego de llaves Allen del 3 al 8
- Destornilladores del número 4 y 5
- Destornillador con cabeza Phillips

### 3.2 Forma de suministro

La silla Vermeiren V100 XL se entrega con:

- 1 chasis con reposabrazos, ruedas delanteras y traseras (altura del asiento de 500 mm)
- 1 reposapiés
- Herramientas
- Manual
- Accesorios

### 3.3 Ajuste de la altura del asiento

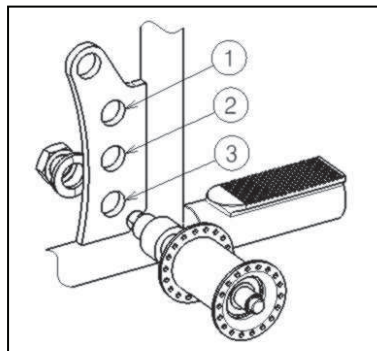
El asiento de la silla Vermeiren V100 XL dispone de 3 alturas regulables mediante la modificación de la posición de las ruedas. A cada altura le corresponde un ajuste diferente de las ruedas delanteras y traseras.

**⚠ ADVERTENCIA:** El orificio superior de la placa del eje no está destinado al montaje del eje posterior. Este orificio es para el montaje del freno de tambor.

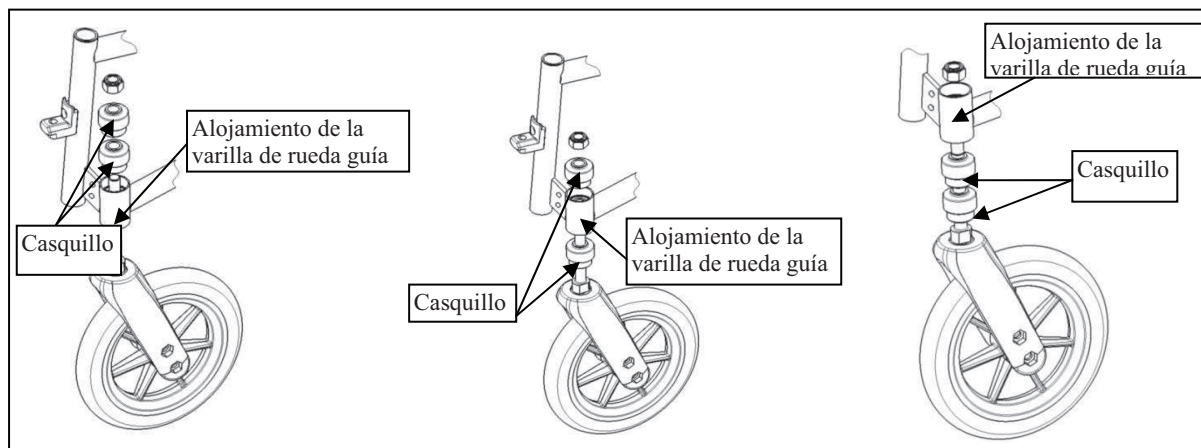
Altura del asiento	Rueda trasera	Rueda delantera
470 mm	Orificio 1	Ambos casquillos por encima del alojamiento de la varilla de rueda guía
500 mm (Estándar)	Orificio 2	Un casquillo por encima y el otro por debajo del alojamiento de la varilla de la rueda guía
530 mm	Orificio 3	Ambos casquillos por debajo del alojamiento de la varilla de la rueda guía

Tabla 2: Altura del asiento

Para modificar la altura del asiento siga los siguientes pasos:



1. Desmonte las ruedas traseras (véase el apartado 2.13).
2. Afloje los casquillos del eje de las ruedas traseras de la placa eje.
3. Monte los casquillos del eje en el orificio derecho de la placa eje (véase la tabla 2).
4. Verifique que los casquillos del eje están correctamente fijados.

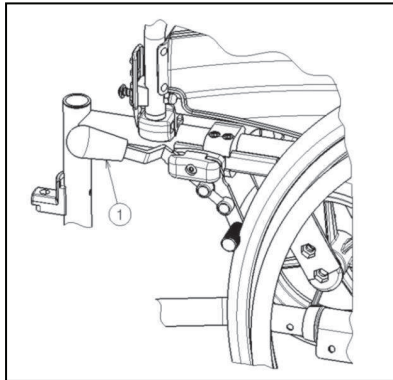


5. Afloje los ejes pivotantes de las ruedas delanteras.
6. Coloque los casquillos conforme a lo indicado en la tabla 2.
7. Monte los ejes pivotantes de las ruedas delanteras y apriételos. Verifique el apriete del eje pivotante para que gire suavemente, pero sin dejar espacio para que haya juego.
8. Monte las ruedas traseras.
9. Si se han montado correctamente, los ejes pivotantes de las ruedas delanteras deben estar perpendiculares al suelo. Verifíquelo.
10. Ajuste los frenos conforme a lo indicado en el apartado 3.4.

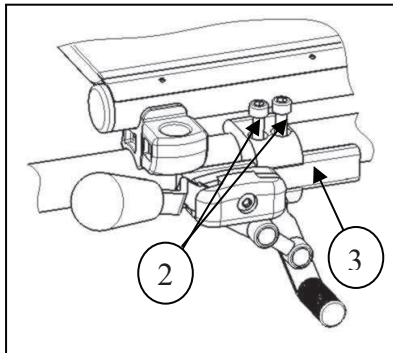
### 3.4 Ajuste de los frenos

**⚠ ADVERTENCIA: Riesgo de lesiones: sólo su distribuidor especializado puede ajustar los frenos.**

Ajuste los frenos según las instrucciones siguientes:



1. Monte las ruedas según se indica en el apartado 2.2.
2. Para desconectar los frenos, tire de la palanca ① hacia atrás.

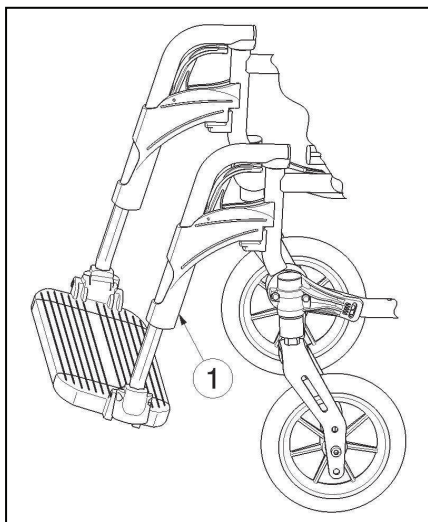


3. Afloje los tornillos ② para que el mecanismo del freno se deslice por la guía ③.
4. Deslice el mecanismo del freno por la guía ③ hasta la posición deseada.
5. Vuelva a apretar los tornillos ②.
6. Verifique el funcionamiento de los frenos.
7. Si es necesario repita los pasos anteriores hasta que los frenos estén correctamente ajustados.

### 3.5 Ajuste del reposapiés

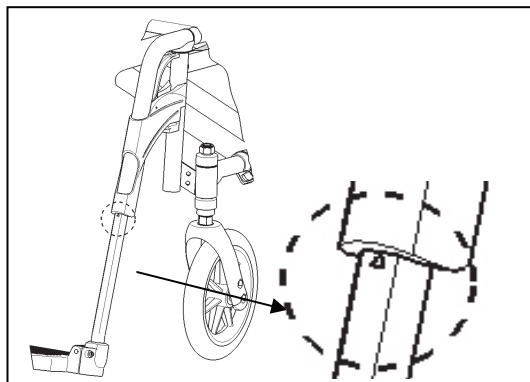
#### 3.5.1 Longitud del reposapiés

**⚠ PRECAUCIÓN: Riesgo de desperfectos: evite que el reposapiés entre en contacto con el suelo. Mantenga una distancia mínima de 60 mm por encima del suelo.**



Regule la longitud del reposapiés como se indica a continuación:

1. Retire el tornillo ① (de la parte posterior del reposapiés).
2. Ajuste la longitud del reposapiés a la medida que le resulte cómoda.
3. Apriete el tornillo ① correctamente.



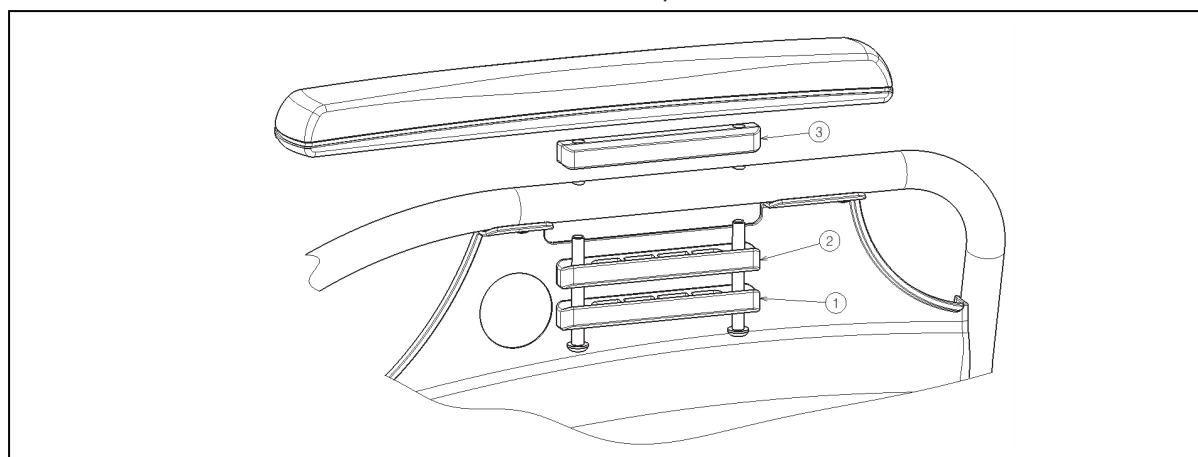
**Un triángulo en el tubo marca la longitud máxima a la que se puede ajustar el reposapiés.**

### 3.6 Ajuste del reposabrazos

El reposabrazos de su silla de ruedas puede ajustarse en altura y profundidad. La altura del reposabrazos puede regularse en 3 posiciones.

Altura del reposabrazos al asiento	Número de bloques bajo el tubo	Número de bloques entre el tubo y el reposabrazos
220 mm (estándar)	2	1
230 mm	1	2
240 mm	0	3

Tabla 3: Altura del reposabrazos



La profundidad del reposabrazos puede regularse en 3 posiciones.

Profundidad del reposabrazos	Orificios utilizados
Posición delantera	Posterior e intermedio
Posición intermedia (estándar)	Orificio 2 y 4
Posición trasera	Anterior e intermedio

Tabla 4: Profundidad del reposabrazos

Regule la altura y la profundidad del reposabrazos como se indica a continuación:

1. Extraiga los dos tornillos situados debajo del reposabrazos.
2. Coloque la cantidad correcta de bloques debajo y encima de los tubos (véase la tabla 3).
3. Instale el reposabrazos en los orificios correspondientes según el ajuste de profundidad.

## 4 Mantenimiento

La vida útil de la silla es de ocho años. La vida útil de la silla de ruedas depende del uso, del almacenamiento, del mantenimiento periódico, de las inspecciones y de la limpieza.

### 4.1 *Mantenimiento periódico*

A continuación se describen las operaciones de mantenimiento para asegurar el buen estado de su silla de ruedas Vermeiren:

- Antes de cada utilización
  - Compruebe los neumáticos y límpielos. Si fuera necesario, cambie el neumático.
  - Verifique las fijaciones con tornillos estén seguras.
  - Verifique los frenos y ajústelos si es necesario.
  - Verifique la silla de ruedas (limpieza, roturas, desperfectos en su estructura...) y límpiela. Si fuera necesario, cambie el revestimiento.
- Cada 8 semanas: inspeccione, engrase y ajuste
  - reposabrazos,
  - reposapiés,
  - palanca de freno,
  - ejes de las ruedas.
- Cada 6 meses o para cada nuevo usuario
  - revisión general,
  - desinfección,
  - ruedas delanteras, si es posible limpieza de los rodamientos.

Al final de este manual encontrará un plan de mantenimiento para su información.

La reparación y montaje de las piezas de repuesto de su silla de ruedas deberá ser efectuado por su distribuidor especializado.

Sólo instale piezas de repuesto Vermeiren autorizadas.

### 4.2 *Envío y almacenamiento*

El envío y almacenamiento de la silla de ruedas deberá realizarse conforme a las instrucciones siguientes:

- Almacenamiento en un lugar seco (entre 5°C y 41°C) .
- La humedad relativa del aire debe situarse entre el 30% y el 70%.
- Recubra y embale adecuadamente la silla de ruedas para protegerla del óxido y de cuerpos extraños. (p. ej. agua salada, aire del mar, arena, polvo).
- Almacene todas las partes desmontadas juntas en el mismo sitio (o márkelas si es necesario) para evitar mezclarlas con otros productos al volver a montar el producto.
- Deberá almacenar los componentes de forma que no queden presionados (no coloque piezas pesadas sobre la silla, no la empotre entre otros objetos...).

## 4.3 Cuidados

### 4.3.1 Cojín para el asiento y el respaldo

Realice la limpieza del cojín del asiento y del respaldo según se indica:

- Limpie el asiento y el respaldo con un paño humedecido en agua caliente. Tenga cuidado de no empapar el cojín del asiento y el respaldo.
- Utilice un detergente comercial suave para retirar la suciedad rebelde.
- Las manchas se pueden eliminar con una esponja o un cepillo suave.
- No emplee líquidos agresivos de limpieza, como disolventes. Tampoco debe usar cepillos duros.
- Nunca realice limpiezas a vapor o a presión.

### 4.3.2 Piezas de plástico

Limpie las piezas de plástico de su silla de ruedas con limpiadores de plástico comerciales. Sólo utilice cepillos o esponjas suaves.

Ejemplos de piezas de plástico: reposabrazos, reposapiés, empuñaduras, neumáticos, etc.

### 4.3.3 Recubrimiento

La alta calidad de los acabados de las superficies garantiza una protección óptima contra la corrosión. Si el revestimiento exterior presenta arañazos u otros daños, pida a su distribuidor especializado que repare la superficie afectada.

Durante la limpieza, sólo utilice agua tibia y productos de limpieza normales, cepillos y paños suaves. Asegúrese de que no entra humedad en los tubos.

En principio, las piezas cincadas solo hay que frotarlas con un paño seco. La suciedad rebelde se retira mejor con un producto comercial adecuado para pulir cinc.

## 4.4 Inspección

En principio recomendamos una inspección anual y, una como mínimo, cuando finaliza el uso. Todas las verificaciones que se indican a continuación deben ser realizadas y documentadas por personal autorizado:

- Verifique que no existen deformaciones, roturas o defectos de funcionamiento en las piezas del chasis ni en los tubos.
- Verifique visualmente el estado de la pintura (peligro de corrosión).
- Verifique el funcionamiento de las ruedas (que giren libremente, nivelación de rodadura, juego del eje, neumáticos, perfil, estado de los aros, presión de aire en caso de neumáticos de aire, ejes flotantes, etc.).
- Verifique la solidez y el engaste de todos los tornillos.
- Verifique la cantidad de grasa en las juntas metálicas de las partes móviles.
- El estado y la seguridad de las guías y ejes de las ruedas de dirección.
- Verifique visualmente la ausencia de roturas y puntos frágiles en todas las piezas de plástico.
- Verifique el funcionamiento de los reposabrazos y de los apoyos para piernas (fijación, carga, deformación, desgaste causado por las cargas).
- Verifique el funcionamiento de otras piezas extraíbles (por ejemplo: el dispositivo antivuelco, el cinturón de seguridad personal, recubrimiento del respaldo/asiento, etc.).
- ¿Se han suministrado todos los componentes? ¿Dispone de manual de instrucciones?

Únicamente firme en el plan de mantenimiento conforme se ha realizado el mantenimiento si se ha verificado un mínimo de los aspectos anteriormente mencionados.



## 4.5 Desinfección

- ⚠ ADVERTENCIA:** Productos peligrosos: el uso de desinfectantes está restringido al personal autorizado.
- ⚠ ADVERTENCIA:** Los productos peligrosos irritan la piel. Use ropa protectora adecuada para evitar que los desinfectantes irriten la piel. Del mismo modo, deberá tener en cuenta también las informaciones indicadas en los productos sobre las respectivas disoluciones.

Todas las partes de la silla de ruedas se pueden limpiar frotando con un desinfectante.

Todas las medidas que se tomen para la desinfección del equipamiento de rehabilitación, de sus componentes u otros accesorios deberán registrarse en un informe de desinfección que contenga un mínimo de la siguiente información (además de la documentación del producto):

Fecha de desinfección	Motivo	Especificaciones	Sustancia y concentración	Firma
-----------------------	--------	------------------	---------------------------	-------

Tabla 5: Ejemplo de registro de desinfección

Abreviaturas usadas en la columna 2 (motivo):

V = Sospecha de infección      IF = Caso de infección      W = Repetición      I = Inspección

En el apartado 9 encontrará una hoja de registro en blanco.

Los desinfectantes recomendados para desinfección por frotamiento (según la lista facilitada por el Robert Koch Institute, RKI) se indican en la siguiente tabla. El estado actual de los desinfectantes incluidos en la lista del RKI se puede consultar en el Instituto Robert Koch (página web: [www.rki.de](http://www.rki.de)).

Sustancia activa	Nombre de producto	Desinfección por lavado		Desinfección de superficie (desinfección por frotamiento)		Desinfección de excrementos 1 parte esputo o heces + 2 partes solución diluida o 1 parte orina + 1 parte solución diluida						Área de efectividad	Fabricante o distribuidor
		Solución diluida	Tiempo para hacer efecto	Solución diluida	Tiempo para hacer efecto	Espeto		Heces		Orina			
						%	h	%	h	%	h		
Fenol o derivado fenólico	Amocid	1	12	5	6	5	4	5	6	5	2	A	Lysoform
	Gevisol	0,5	12	5	4	5	4	5	6	5	2	A	Schülke & Mayer
	Helipur			6	4	6	4	6	6	6	2	A	B. Braun
	solución jabonosa m-cresylic (DAB 6)	1	12	5	4							A	
	Fenol	1	12	3	2							A	
Cloro, sustancias orgánicas o inorgánicas con cloro activo	Chloramin-T DAB 9	1,5	12	2,5	2	5	4					A <sup>1</sup> B	
	Clorina	1,5	12	2,5	2	5	4					A <sup>1</sup> B	Lysoform
	Trichlorol	2	12	3	2	6	4					A <sup>1</sup> B	Lysoform
Para combinaciones	Apesin AP100 <sup>2</sup>			4	4							AB	Tana PROFESSIONAL
	Dismozon pur <sup>2</sup>			4	1							AB	Bode Chemie
	Perform <sup>2</sup>			3	4							AB	Schülke & Mayer
	Wofesteril <sup>2</sup>			2	4							AB	Kesla Pharma

Sustancia activa	Nombre de producto	Desinfección por lavado		Desinfección de superficie (desinfección por frotamiento)		Desinfección de excrementos 1 parte esputo o heces + 2 partes solución diluida o 1 parte orina + 1 parte solución diluida						Área de efectividad	Fabricante o distribuidor
		Solución diluida	Tiempo para hacer efecto	Solución diluida	Tiempo para hacer efecto	Espeto		Heces		Orina			
						%	h	%	h	%	h		
Formaldehído y/o otros aldehídos o derivados	Aldasan 2000			4	4							AB	Lysoform
	Antifect FD 10			3	4							AB	Schülke & Mayer
	Antiseptica surface disinfection 7			3	6							AB	Antiseptica
	Apesin AP30			5	4							A	Tana PROFESSIONAL
	Bacillocid special			6	4							AB	Bode Chemie
	Buraton 10F			3	4							AB	Schülke & Mayer
	Desomed A2000			3	6							AB	Desomed
	Limpiador desinfectante hospitalario			8	6							AB	Dreiturm
	Desomed Perfekt			7	4							AB*	Desomed
	Formaldehyde-solution (DAB 10), (formaline)	1,5	12	3	4							AB	
	Incidin Perfekt	1	12	3	4							AB	Ecolab
	Incidin Plus			8	6							A	Ecolab
	Kohrsolin	2	12	3	4							AB	Bode Chemie
	Lysoform	4	12	5	6							AB	Lysoform
	Lysoformin	3	12	5	6							AB	Lysoform
	Lysoformin 2000			4	6							AB	Lysoform
	Melsept	2	12	4	6							AB	B. Braun
	Melsitt	4	12	10	4							AB	B. Braun
	Minutil	2	12	6	4							AB	Ecolab
	Multidor			3	6							AB	Ecolab
Núscosept			5	4							AB	Dr. Nüsken Chemie	
Optisept			7	4							AB*	Dr. Schumacher	
Pursept-FD			7	4							AB*	Merz	
Ultrasol F	3	12	5	4							AB	Fresenius Kabi	
Tensioactivos anfóteros (amfotensiden)	Tensodur 103	2	12									A	MFH Marienfelde
Lejía	Lechada de cal <sup>3</sup>							20	6			A <sup>3</sup> B	

1 No es efectivo frente a micobacterias durante la desinfección, en especial si hay sangre.  
2 No es adecuado para la desinfección de superficies contaminadas con sangre o porosas (p. ej. madera virgen).  
3 No tiene ningún efecto frente a la tuberculosis. Preparación de lechada de cal: 1 parte de lechada de cal (hidróxido de calcio) + 3 partes de agua.  
\* Comprobada su efectividad contra virus conforme a los métodos de verificación del RKI (Informe de Salud Federal 38 (1995) 242).  
A: Adecuado para eliminar gérmenes bacterianos latentes, incluidas las micobacterias, así como hongos, incluidas sus esporas.  
B: Adecuado para eliminar virus.

Tabla 6: Desinfectantes

Consulte a su distribuidor especializado si tiene cualquier duda sobre temas relacionados con la desinfección. Estará encantado de atenderle.

## 5 Garantía

Extracto de las "Condiciones Comerciales Generales":

(...)

5. El período para reclamaciones en garantía es de 24 meses. Gracias a nuestras especificaciones de calidad superior, estamos en disposición de extender el plazo de garantía más allá de los requerimientos legales básicos para

(...)

-Chasis y cruceta de las sillas de ruedas

4 años

La garantía no incluye los daños provocados por cambios estructurales en nuestros productos, un mantenimiento insuficiente, una manipulación o almacenamiento defectuosos o inadecuados, o el uso de piezas no originales. Asimismo, la garantía no incluye las partes o piezas funcionales sometidas a desgaste y abrasión naturales.

(...)

## 6 Eliminación

Para desechar la silla de ruedas, póngase en contacto con la planta de desechos de su región o devuelva el producto a su distribuidor especializado, quien, una vez realizado el proceso higiénico, devolverá la silla al fabricante, que la desechará o reciclará de forma correcta separando sus componentes.

Los embalajes deberán a llevares a las plantas de desecho o reciclaje o a su distribuidor especializado.

## 7 Declaración de conformidad

*El fabricante o su representante autorizado:*

N.V. VERMEIREN N.V

**Dirección:**

Vermeirenplein 1/15

2920 Kalmthout

Bélgica

*declara bajo su propia responsabilidad, el mercado CE productos sanitarios:*

Producto : Silla de ruedas manual

Marca : Vermeiren

Tipo : V100 XL

*se clasifican como Clase I, según MDD 93/42/EEC Anexo IX, regla 1*

*y fabricado en el pleno cumplimiento de las siguientes directivas europeas - incluyendo los cambios más recientes - y con la legislación nacional, que organiza estas pautas:*

Directiva sobre productos médicos MDD 93/42/CEE: 2007

*y cumplir con las normas europeas armonizadas pertinentes:*

EN 12182: 1999, EN 12183: 2009



## 8 Plan de mantenimiento

Fecha	Mantenimiento	Comentarios	Firma manual
1/1/2012	<i>Engrase y mantenimiento general</i>	<i>ninguno</i>	

## 9 Registro de desinfección

Fecha de desinfección	Motivo	Especificaciones	Sustancia y concentración	Firma

Abreviaturas usadas en la columna 2 (motivo):  
V = Sospecha de infección      IF = Caso de infección      W = Repetición      I = Inspección

**Spis treści**

<b>Wstęp</b> .....	<b>2</b>
<b>1 Opis produktu</b> .....	<b>3</b>
1.1 Przeznaczenie .....	3
1.2 Parametry techniczne .....	4
1.3 Rysunek .....	5
1.4 Akcesoria.....	5
1.5 Płytką określającą położenie .....	6
1.6 Objasnienia symboli.....	6
<b>2 Sposób użycia</b> .....	<b>6</b>
2.1 Przenoszenie wózka inwalidzkiego.....	6
2.2 Montaż kół tylnich .....	7
2.3 Rozkładanie wózka inwalidzkiego.....	7
2.4 Montaż i demontaż uchwyty poprzeczny .....	7
2.5 Montaż i demontaż podnóżka .....	8
2.6 Obsługa hamulców .....	8
2.7 Montaż i demontaż podłokietników .....	9
2.8 Wsiadanie i zsiadanie z wózka inwalidzkiego .....	10
2.9 Prawidłowa pozycja w wózku inwalidzkim.....	10
2.10 Jazda na wózku inwalidzkim.....	10
2.11 Poruszanie się po powierzchniach pochyłych.....	11
2.12 Pokonywanie progów lub krawężników .....	11
2.13 Składanie wózka inwalidzkiego .....	13
2.14 Zdejmowanie kół.....	13
2.15 Transport wsamochodzie.....	13
<b>3 Montaż i regulacja</b> .....	<b>14</b>
3.1 Narzędzia.....	14
3.2 Sposób dostawy.....	14
3.3 Regulacja wysokości siedziska .....	15
3.4 Regulacja hamulców .....	16
3.5 Regulacja podnóżka .....	16
3.6 Regulacja podłokietników .....	17
<b>4 Konserwacja</b> .....	<b>17</b>
4.1 Regularna konserwacja .....	17
4.2 Wysyłka I Przechowywanie .....	18
4.3 Pielęgnacja .....	18
4.4 Kontrola.....	19
4.5 Dezynfekcja.....	20
<b>5 Gwarancja</b> .....	<b>22</b>
<b>6 Utylizacja</b> .....	<b>22</b>
<b>7 Deklaracja zgodności</b> .....	<b>22</b>
<b>8 Plan konserwacji</b> .....	<b>23</b>
<b>9 Raport z dezynfekcji</b> .....	<b>23</b>



## Wstęp

Przede wszystkim pragniemy Państwu podziękować za zaufanie, jakim nas Państwo obdarzyli, dokonując wyboru jednego z naszych wózków inwalidzkich.

Wózki inwalidzkie Vermeiren są konstruowane na podstawie wieloletnich badań i doświadczenia. W procesie projektowania szczególną uwagę poświęcono łatwości użycia i solidności.

Szacowana trwałość wózka inwalidzkiego wynosząca 8 lat zależy w dużej mierze od odpowiedniej konserwacji i dbałości o jego stan.

Niniejsza instrukcja pomoże Państwu zapoznać się z obsługą wózka.

Postępowanie zgodnie z instrukcją użytkownika oraz instrukcją konserwacji stanowi zasadniczy warunek gwarancji.

Niniejsza instrukcja obsługi odzwierciedla aktualny stan produktu. Firma Vermeiren zastrzega sobie jednak prawo do wprowadzenia zmian bez obowiązku dostosowania lub wymiany wcześniej dostarczonych modeli.

W razie jakichkolwiek pytań prosimy kontaktować się ze sprzedawcą.

## 1 Opis produktu

### 1.1 Przeznaczenie

Wózek inwalidzki jest przeznaczony dla osób o ograniczonej zdolności lub braku zdolności chodzenia.

Wózek inwalidzki jest zaprojektowany do transportu jednej osoby.

Wózek przeznaczony jest do użycia wewnątrz jak i na zewnątrz budynków.

Użytkownik może napędzać wózek samodzielnie lub może być popychany przez opiekuna.

Wiele rodzajów mocowań i akcesoriów, a także modułowa konstrukcja, umożliwiają pełne użytkowanie wózka przez osoby niepełnosprawne na skutek:

- paraliżu;
- utraty kończyn (amputacji nóg);
- uszkodzenia lub deformacji kończyn;
- sztywnych lub uszkodzonych stawów;
- niewydolności serca i słabego krążenia krwi;
- zaburzeń równowagi;
- kacheksji (ubytków masy mięśniowej);
- oraz przez osoby starsze.

W celu dostosowania produktu do indywidualnych wymagań:

- rozmiary i masa ciała (maks. 170 kg);
- stan fizyczny i psychiczny;
- warunki mieszkaniowe;
- otoczenie;

muszą zostać wzięte pod uwagę.

Z wózka inwalidzkiego należy korzystać wyłącznie na powierzchniach, na których wszystkie cztery koła dotykają podłoża oraz kontakt jest wystarczający, aby odpowiednio napędzać koła.

Należy przeciwić pokonywanie przeszkód (np. krawężników) oraz korzystanie z wózka na nierównych powierzchniach (kostkach brukowych itp.), pochyłościach i zakrętach.

Wózka nie należy wykorzystywać w roli drabiny, nie służy on również do transportu ciężkich lub gorących przedmiotów.

Podczas użytkowania na matach, dywanach lub luźnych przykryciach podłogowych może dojść do uszkodzenia powierzchni wykładzinowej.

Należy korzystać wyłącznie z akcesoriów zatwierdzonych przez firmę Vermeiren.

Producent nie ponosi odpowiedzialności za uszkodzenia spowodowane brakiem lub nieodpowiednim serwisowaniem bądź będące skutkiem nieprzestrzegania zaleceń zawartych w niniejszej instrukcji obsługi.

Postępowanie zgodnie z instrukcją użytkownika oraz instrukcją konserwacji stanowi zasadniczy warunek gwarancji.



## 1.2 Parametry techniczne

Parametry techniczne podane poniżej opisują wózek inwalidzki w konfiguracji standardowej. Jeśli użytkownik korzysta z innych podnóżków/podłokietników lub innych akcesoriów, wartości będą się różnić.


<b>Producent</b>	Vermeiren		
<b>Adres</b>	Vermeirenplein 1/15, B-2920 Kalmthout		
<b>Typ</b>	Ręczny wózek inwalidzki		
<b>Model</b>	V100 XL		
<b>Maksymalna waga użytkownika</b>	170 kg		
			
<b>Opis</b>	<b>Wymiary</b>		
Szerokość użytkowa siedziska	530 mm	560 mm	600 mm
Szerokość całkowita (zależy od szerokości siedziska)	740 mm	770 mm	810 mm
<b>Opis</b>	<b>Minimalne wymiary</b>	<b>Maksymalne wymiary</b>	
Długość całkowita z podnóżkiem	1060 mm		
Długość po złożeniu	1060 mm		
Szerokość po złożeniu	375 mm		
Wysokość po złożeniu	890 mm	950 mm	
Waga całkowita	21,4 kg		
Waga najcięższej części	13,7 kg		
Waga części, które mogą być demontowane lub usunięte	<b>Podnóżki: 1,75 kg; Oparcia na dłonie: 1,80 kg; Koła napędowe (tylnie): 4,05 kg</b>		
Stabilność statyczna z górki	7°		
Stabilność statyczna pod górkę	9°		
Stabilność statyczna w poprzek	18°		
Zdolność do wspięcia na przeszkodę	60 mm		
Kąt nachylenia siedziska	5°		
Głębokość użytkowa siedziska	490 mm		
Wysokość przedniej krawędzi siedziska	470 mm	530 mm	
Kąt nachylenia oparcia	5°		
Wysokość oparcia	380 mm		
Odległość siedziska od podnóżka	450 mm		
Kąt pomiędzy siedziskiem a podnóżkiem	10°		
Odległość siedziska od podłokietnika	220 mm	240 mm	
Przednia pozycja podłokietnika	410 mm		
Średnica obręczy	535 mm		
Pozycja osi w poziomie (odchył)	20 mm		
Minimalny promień skrętu	1616 mm		
Średnica kół tylnych Krypton PU	22"	24"	
Ciśnienie w oponach, koła tylne (napędowe)	Maksymalnie 3,5 bara		
Średnica kół skrętnych Krypton PU	200 mm		
Ciśnienie w oponach, koła skrętne	Maksymalnie 2,5 bara		
Temperatura przechowywania i użytkowania	+5°C	+41°C	
Wilgotność powietrza do przechowywania i użytkowania	30%	70%	
<b>Producent zastrzega sobie prawo do wprowadzania zmian parametrów technicznych. Tolerancja pomiarów ± 15 mm / 1,5 kg / °</b>			

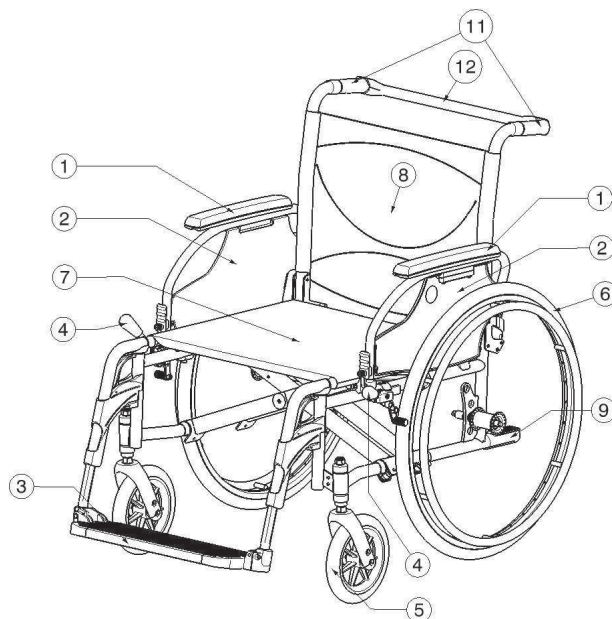
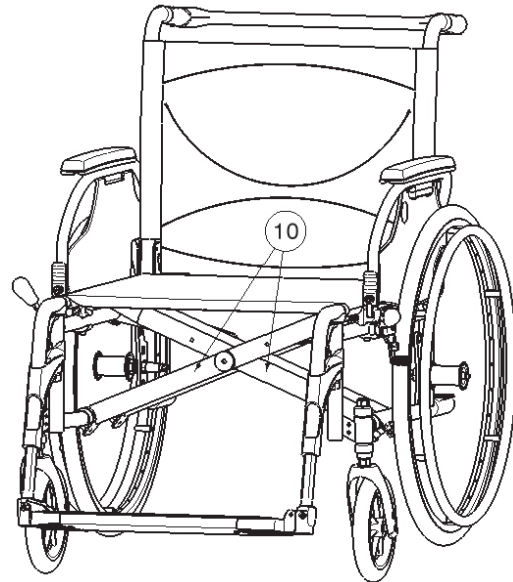
Tabela 1: Parametry techniczne

Wózek inwalidzki spełnia wymogi następujących norm:

ISO 7176-8: Wymogi i metody testowania sił działających w bezruchu, przy uderzeniu oraz zmęczenia materiału.

ISO 7176-16: Odporność części pokrytych tapicerką na zapłon.

### 1.3 Rysunek



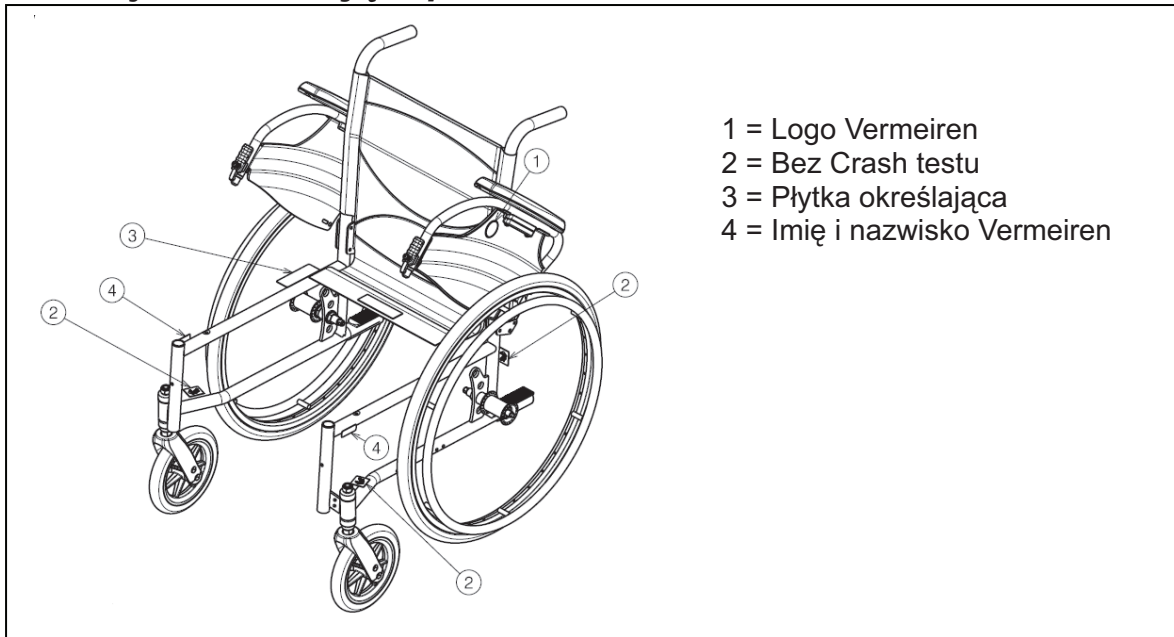
- 1 = Podłokietniki
- 2 = Oparcia na dłonie
- 3 = Podnóżki
- 4 = Hamulce
- 5 = Koła skrętne (przednie)
- 6 = Koła napędowe (tylne)
- 7 = Siedzisko
- 8 = Oparcie
- 9 = Zaślepka
- 10 = Krzyżak
- 11 = Uchwyty
- 12 = Uchwyt poprzeczny

### 1.4 Akcesoria

Dla modelu V100 XL dostępne są następujące akcesoria:

- Pas stabilizujący miednicę od przodu (B20) do zamocowania na rurach z tyłu wózka (patrz instrukcja)
- Urządzenie zapobiegające przewróceniu wózka (B78) do zamocowania na dolnej ramie wózka (patrz instrukcja)

## 1.5 Płytką określającą położenie



## 1.6 Objasnienia symboli



Waga maksymalna



Do używania na zewnątrz i wewnątrz



Nachylenie w dół



Nachylenie w górę



CE deklaracja



Bez Crash testu

## 2 Sposób użycia

W niniejszym rozdziale opisano codzienne użytkowanie wózka. **Instrukcje te są przeznaczone dla użytkownika oraz wyspecjalizowanego sprzedawcy.**

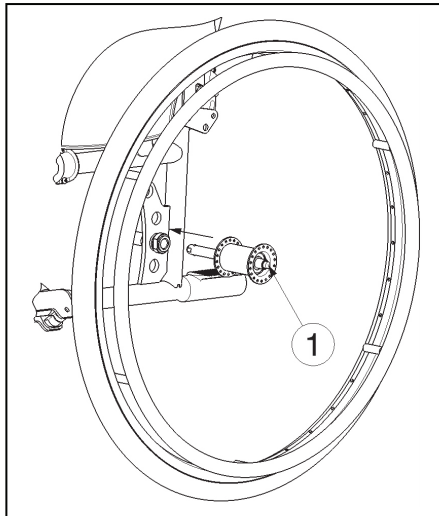
Wózek inwalidzki jest dostarczany klientowi po złożeniu przez wyspecjalizowanego sprzedawcę. Instrukcje montażu wózka przeznaczone dla wyspecjalizowanego sprzedawcy zawiera § 3.

### 2.1 Przenoszenie wózka inwalidzkiego

Najlepszym sposobem przenoszenia wózka inwalidzkiego jest prowadzenie go z wykorzystaniem jego kół.

Jeśli nie jest to możliwe (np. w przypadku demontażu tylnych kół w celach transportu wózka w samochodzie), należy mocno chwycić wózek za ramę z przodu oraz za uchwyty. Nie należy podnosić wózka, chwytając za podnózek, oparcia boczne lub koła.

## 2.2 Montaż kół tylnich



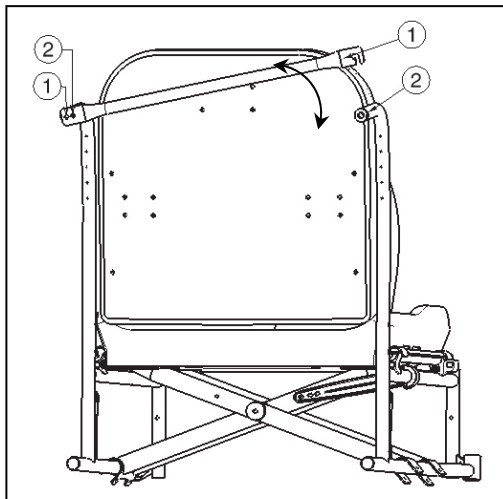
1. Chwyć tylne koło i naciśnij przycisk ①.
2. Przytrzymując wciśnięty przycisk, nałóż oś tylnego koła aż do zablokowania.
3. Zwolnij przycisk.
4. Sprawdź, czy koło jest bezpiecznie zamocowane.

## 2.3 Rozkładanie wózka inwalidzkiego

**⚠ PRZESTROGA:** Ryzyko przytrzaśnięcia – trzymaj palce w bezpiecznej odległości od ruchomych części wózka inwalidzkiego.

1. Stań za wózkiem inwalidzkim.
2. Trzymając za uchwyty, maksymalnie rozłóż wózek.
3. Stań przed wózkiem inwalidzkim.
4. Dociśnij obie rurki siedziska w dół, aż zostaną zablokowane na pozycjach.
5. Przymocuj uchwyt poprzeczny do prawego uchwyty (stojąc za wózkiem).

## 2.4 Montaż i demontaż uchwyty poprzeczny



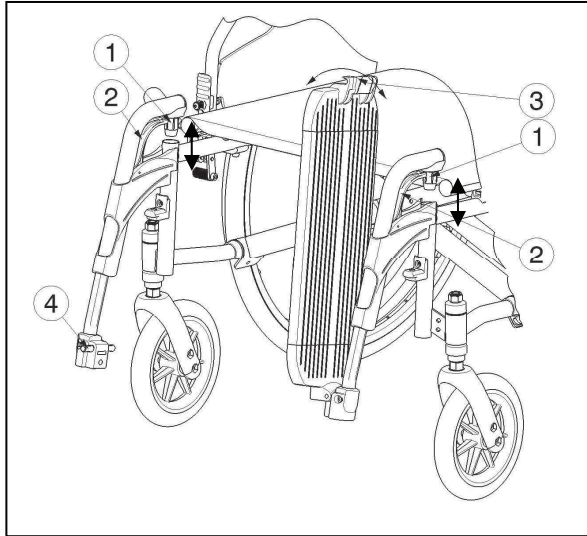
Aby zamontować uchwyt poprzeczny:

1. Zamontuj uchwyt poprzeczny za pomocą pokrętła do lewego uchwyty.
2. Przechyl uchwyt poprzeczny w prawą stronę.
3. Przymocuj zacisk ① do prawego uchwyty ②. Gdy jest to trudne, uchwyt poprzeczny może być zbyt długi. Zamontuj uchwyt poprzeczny do lewego uchwyty, umieszczając śrubę z pokrętłem w otworze ②.

Aby zdemontować uchwyt poprzeczny:

1. Odkręć pokrętło przy prawym uchwyty.
2. Zdejmij zacisk ① z prawego uchwyty ②.

## 2.5 Montaż i demontaż podnóżka



Aby zamontować podnóżek:

1. Przytrzymaj podnóżek w poprzek po zewnętrznej stronie ramy wózka inwalidzkiego i przymocuj element ① do ramy.
2. Obróć podnóżek do wewnątrz, aż wskoczy na swoje miejsce.
3. Obróć płytę podnóżka w dół, aż zaciski ③ zablokują się na zatrzasku ④.

Aby zdemontować podnóżki:

1. Zdejmij zacisk ③ z zatrzasku ④.
2. Obróć płytę podnóżka w górę.
3. Pociągnij za uchwyt ②.
4. Obróć podnóżek na zewnątrz wózka inwalidzkiego, aż uwolni się z ograniczników.
5. Wyciągnij rurkę podnóżka z ramy ①.

## 2.6 Obsługa hamulców

- ⚠ **OSTRZEŻENIE:** Hamulce nie służą do spowalniania wózka inwalidzkiego w trakcie ruchu – należy ich używać wyłącznie, aby nie dopuścić do niepożądanych ruchów wózka.
- ⚠ **OSTRZEŻENIE:** Na prawidłową pracę hamulców wpływ ma zużycie oraz zanieczyszczenie ogumienia (woda, olej, błoto, ...) – należy sprawdzać stan ogumienia przed każdym użyciem.
- ⚠ **OSTRZEŻENIE:** Hamulce są regulowane i mogą ulec zużyciu – należy sprawdzać stan hamulców przed każdym użyciem.

Aby zaciągnąć hamulec:

1. Popchnij dźwignie hamulców w przód, aż da się słyszeć wyraźne kliknięcie.

- ⚠ **PRZESTROGA:** Ryzyko niezamierzonego ruchu – przed zwolnieniem hamulców upewnij się, że wózek inwalidzki znajduje się na płaskiej, poziomej powierzchni. Nigdy nie zwalnij obu hamulców jednocześnie.

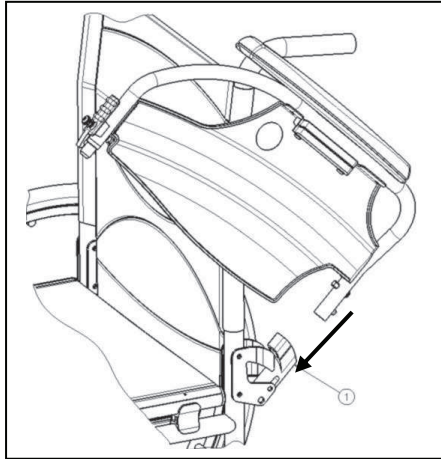
Aby zwolnić hamulce:

1. Zwolnij jeden hamulec, pociągając dźwignię w tył.
2. Przytrzymaj dłońią obręcz zwolnionego koła.
3. Zwolnij drugi hamulec, pociągając dźwignię w tył.

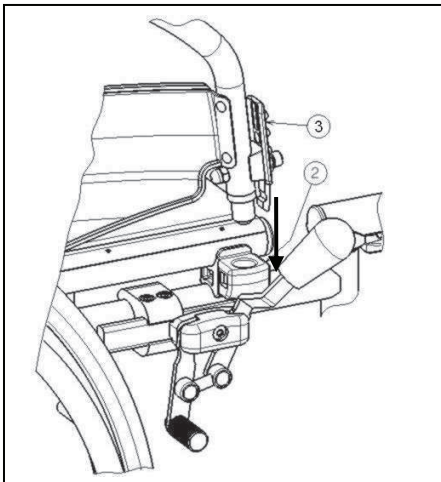
## 2.7 Montaż i demontaż podłokietników

Podłokietniki wózka inwalidzkiego można montaż zgodnie z instrukcją.

**⚠ PRZESTROGA:** Ryzyko przytrzaśnięcia – trzymaj palce, zapięcia i odzież z dala od spodniej części podłokietnika.

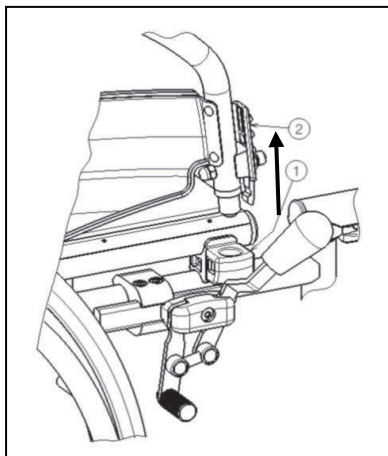


1. Zamontuj tylną rurkę podłokietnika w ramie ①.
2. Upewnij się, że podłokietnik wskoczył do mechanizmu blokującego.
3. Pochyl podłokietnik w przód.



4. Zamocuj przednią rurkę podłokietnika w ramie ②.

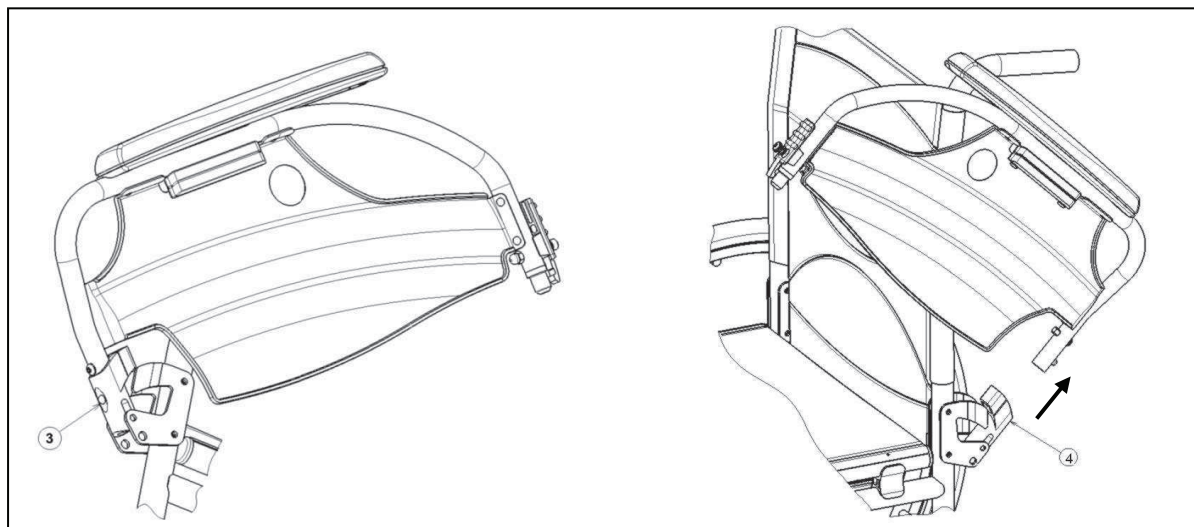
Aby rozłożyć i zdemontować podłokietnik:



1. Naciśnij dźwignię ② i pociągnij przód podłokietnika w górę.
2. Odchyl podłokietnik w tył.

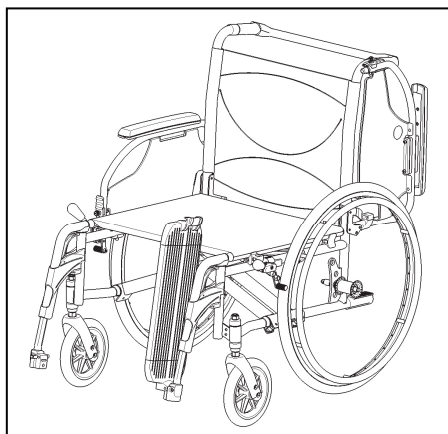


3. Aby wymontować podłokietnik, naciśnij przycisk ③ i wyciągnij tył podłokietnika z ramy ④.



## 2.8 Wsiadanie i zsiadanie z wózka inwalidzkiego

- ⚠ **PRZESTROGA:** Jeśli nie można samemu bezpiecznie wsiąść lub zsiąść z wózka inwalidzkiego, należy poprosić kogoś o pomoc.
- ⚠ **PRZESTROGA:** Ryzyko przewrócenia wózka – nie wolno stać na płytach podnóżka.



1. Ustaw wózek jak najbliżej krzesła, kanapy lub łóżka na/z którego przenosi się użytkownik.
2. Upewnij się, że oba hamulce wózka inwalidzkiego są zaciągnięte.
3. Odchyl płyty podnóżka w górę, uniemożliwiając stanięcie na nich.
4. Jeśli przemieszczanie zachodzi w poprzek wózka, odchyl podłokietnik po tej stronie wózka w górę (patrz § 2.7).
5. Wsiądź na/zsiądź z wózka inwalidzkiego.

## 2.9 Prawidłowa pozycja w wózku inwalidzkim

Zalecenia dotyczące wygodnego korzystania z wózka inwalidzkiego:

- Ułóż plecy tak blisko oparcia, jak to możliwe.
- Upewnij się, że uda ułożone są w poziomie – w razie potrzeby dostosuj długość podnóżków (patrz § 3.5).

## 2.10 Jazda na wózku inwalidzkim

- ⚠ **OSTRZEŻENIE:** Ryzyko przytrzaśnięcia – uważaj, aby palce nie uwięzły pomiędzy szprychami kół.
- ⚠ **OSTRZEŻENIE:** Ryzyko przytrzaśnięcia – zachowaj ostrożność podczas przejazdu przez ograniczone przestrzenie (np. drzwi).
- ⚠ **OSTRZEŻENIE:** Istnieje ryzyko poparzenia - Należy zachować ostrożność podczas przewożenia przy bardzo wysokich i niskich temperaturach (na ostrym słońcu, mrozie, w saunie itp.) przez dłuższy czas i przy kontakcie ze skórą.  
- Powierzchnie mogą nagrzewać się do temperatury otoczenia.



1. Zwolnij hamulce.
2. Uchwyć obie obręcze w najwyższych punktach.
3. Pochyl się w przód i popchnij obręcze do przodu aż do wyprostowania rąk.
4. Luźno odchyl ręce do tyłu aż do górnych krawędzi obręczy i powtórz ruch.

## 2.11 Poruszanie się po powierzchniach pochyłych

- ⚠ **OSTRZEŻENIE:** Ogranicz prędkość – na powierzchniach pochyłych poruszaj się jak najwolniej.
- ⚠ **OSTRZEŻENIE:** Weź pod uwagę możliwości opiekuna – jeśli nie dysponuje siłą pozwalającą kontrolować wózek inwalidzki, zaciągnij hamulce.
- ⚠ **OSTRZEŻENIE:** Ryzyko wywrócenia – pochyl się w przód, aby przesunąć środek ciężkości do przodu. Pozwoli to ustabilizować wózek inwalidzki.



1. Zapnij pasy bezpieczeństwa, jeśli wózek jest w nie wyposażony.
2. Nie próbuj poruszać się po zbyt dużych pochyłościach. Maksymalne dopuszczalne kąty nachylenia podłoża (w górę i w dół) zawiera Tabela 1.
3. Poproś opiekuna o pomoc podczas ruchu na pochyłym podłożu.
4. Pochyl się w przód, aby przesunąć środek ciężkości do przodu.

## 2.12 Pokonywanie progów lub krawężników

### 2.12.1 Zjazd z progów lub krawężników

Z niskiego krawężnika można zjechać, poruszając się w przód. Upewnij się, że podnóżki nie dotykają ziemi.



Doświadczony użytkownik może samodzielnie pokonać niewielkie progi lub krawężniki.

- ⚠ **OSTRZEŻENIE:** Ryzyko wywrócenia – jeśli nie posiadasz wystarczającego doświadczenia w korzystaniu z wózka inwalidzkiego, poproś o pomoc opiekuna.

1. Utrzymaj równowagę na kołach tylnych, aby zmniejszyć nacisk na koła przednie.
2. Pokonaj krawężnik.

Wyższe krawężniki można pokonać, poruszając się w przód z pomocą opiekuna.

1. Poproś opiekuna, aby nieznacznie odchylił wózek inwalidzki do tyłu.
2. Pokonuj krawężniki, poruszając się na tylnych kołach.
3. Ponownie oprzyj wózek na wszystkich czterech kołach.



Doświadczony użytkownik może samodzielnie pokonywać wyższe krawężniki. Najłatwiej tego dokonać, poruszając się do tyłu.

1. Obróć wózek inwalidzki, zwracając go tylnymi kołami w stronę krawężnika.
2. Pochyl się w przód, aby przesunąć środek ciężkości do przodu.
3. Zbliź wózek do krawędzi krawężnika.
4. Przy użyciu obręczy w kontrolowany sposób zsuń wózek z krawężnika.

## 2.12.2 Wjazd na progi lub krawężniki

Aby wjechać na próg lub krawężnik z pomocą opiekuna:



1. Nie dopuść, aby podnóżki dotknęły krawężnika.
2. Poproś opiekuna o odchylenie wózka do tyłu na tyle, aby unieść przednie koła nad krawężnik.
3. Odchyl się do tyłu, przenosząc środek ciężkości nad tylne koła.
4. Wjedź przednimi kołami na krawężnik.
5. Przejeźdź tylnymi kołami przez krawężnik.

Wyższe krawężniki można pokonać, jadąc do tyłu:

1. Obróć wózek inwalidzki, zwracając go tylnymi kołami w stronę krawężnika.
2. Odchyl się w tył, przenosząc środek ciężkości nad tylne koła.
3. Poproś opiekuna o wciągnięcie wózka na krawężnik.
4. Powróć do normalnej pozycji w wózku inwalidzkim.

Doświadczony użytkownik może samodzielnie pokonywać krawężniki.

**⚠ OSTRZEŻENIE: Ryzyko wywrócenia – jeśli nie posiadasz wystarczającego doświadczenia w korzystaniu z wózka inwalidzkiego, poproś o pomoc opiekuna.**



1. Podjedź do krawężnika.
2. Upewnij się, że podnóżki nie dotykają krawężnika.
3. Odchyl się w tył, utrzymując równowagę na tylnych kołach.



4. Wjedź przednimi kołami na krawężnik.
5. Pochyl się do przodu, aby ustabilizować wózek.
6. Wjedź tylnymi kołami na krawężnik.

### 2.12.3 Pokonywanie schodów

Schody można pokonywać na wózku inwalidzkim, przestrzegając następujących zasad:

**⚠ OSTRZEŻENIE: Ryzyko wywrócenia – zawsze pokonuj schody z pomocą 2 opiekunów.**

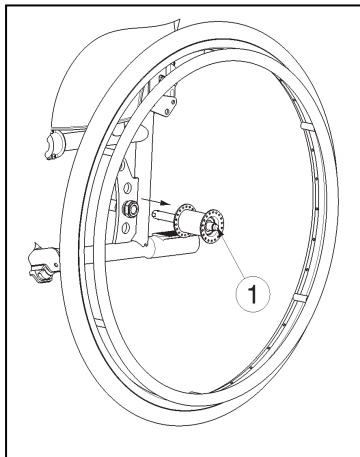
1. Wymontuj podnóżki.
2. Jeden z opiekunów musi nieznacznie odchylić wózek w tył.
3. Drugi opiekun łapie za przód ramy wózka.
4. Zachowaj spokój, unikaj nagłych ruchów i trzymaj ręce wewnątrz wózka inwalidzkiego.
5. Pokonuj schody na tylnych kołach wózka.
6. Po pokonaniu schodów ponownie zamontuj podnóżki.

### 2.13 Składanie wózka inwalidzkiego

**⚠ PRZESTROGA: Możliwość przytrzaśnięcia – nie wkładaj palców pomiędzy elementy wózka.**

1. Złóż lub wymontuj płyty podnóżków (patrz § 2.5).
2. Odchyl uchwyt poprzeczny od prawego uchwytu (stojąc za wózkiem).
3. Chwyć siedzenie za przód i oparcie, a następnie pociągnij w górę.

### 2.14 Zdejmowanie kół



Aby ułatwić transport wózka inwalidzkiego, można zdjąć tylne koła.

1. Upewnij się, że hamulce są zwolnione.
2. Przejdź na stronę wózka, z której chcesz zdjąć koło.
3. Naciśnij przycisk ① pośrodku osi koła.
4. Zdejmij koło z ramy.

### 2.15 Transport wsamochodzie

**⚠ NIEBEZPIECZEŃSTWO: Ryzyko zranienia- Nie należy przewozić osób siedzących w wózku podczas jazdy samochodem.**

**⚠ OSTRZEŻENIE: Ryzyko urazu – upewnij się, że wózek inwalidzki jest prawidłowo umocowany. Pozwoli to zapobiec urazom pasażerów podczas kolizji lub gwałtownego hamowania.**

**⚠ OSTRZEŻENIE: Ryzyko urazu – NIGDY nie używaj jednego pasa bezpieczeństwa do zabezpieczenia pasażera i wózka inwalidzkiego.**

Nigdy nie należy używać wózka jako fotela w samochodach i innych pojazdach zmechanizowanych.



Aby przewieźć wózek w samochodzie, należy wykonać następujące czynności:

1. Wymontuj podnóżki i akcesoria.
2. Umieść podnóżki i akcesoria w bezpiecznym miejscu.
3. Jeśli to możliwe, złóż wózek inwalidzki i zdejmij koła.
4. Umieść wózek inwalidzki w bagażniku.
5. Jeśli wózek NIE znajduje się w przedziale bagażowym oddzielonym od kabiny pasażerów, dokładnie umocuj ramę wózka inwalidzkiego do pojazdu. Możesz skorzystać z nieużywanych pasów bezpieczeństwa.

## 3 Montaż i regulacja

Instrukcje zawarte w niniejszym rozdziale są przeznaczone dla wyspecjalizowanego sprzedawcy.

Wózek Vermeiren V100 XL zaprojektowano w taki sposób, aby jego regulacja wymagała minimum części zamiennych. Nie jest wymagany zapas dodatkowych części zamiennych.

Informacje na temat najbliższych punktów usługowych lub przedstawicieli otrzymać można w najbliższym biurze Vermeiren. Wykaz biur Vermeiren podano na ostatniej stronie.

- ⚠ **OSTRZEŻENIE:** Istnieje ryzyko stosowania groźnych dla bezpieczeństwa zakresów - Należy używać wyłącznie zakresów opisanych w niniejszej instrukcji.
- ⚠ **OSTRZEŻENIE:** Modyfikacja w ramach dopuszczalnego stopnia regulacji może prowadzić do zmiany stabilności wózka inwalidzkiego (może powodować przechylenie w tył lub na bok)

### 3.1 Narzędzia

Do regulacji ustawień wózka inwalidzkiego wymagane są następujące narzędzia.

- Zestaw kluczy nr 7 – 22
- Zestaw kluczy imbusowych nr 3 – 8
- Wkrętak nr 4 – 5
- Wkrętak krzyżakowy

### 3.2 Sposób dostawy

Dostarczany wózek Vermeiren V100 XL będzie zawierał:

- 1 ramę z podłokietnikami, tylnymi i przednimi kołami (wysokość siedzenia 500 mm);
- 1 podnóżków;
- narzędzia;
- instrukcję obsługi;
- akcesoria.

### 3.3 Regulacja wysokości siedziska

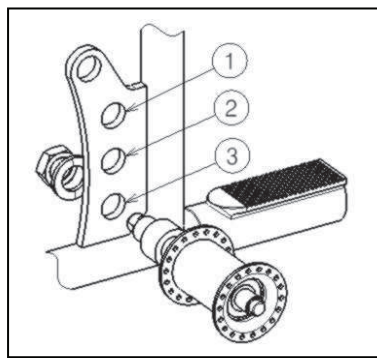
W wózku Vermeiren V100 XL można ustawić 3 różne wysokości siedziska, zmieniając pozycję kół. Na każdej z wysokości istnieje inne ustawienie kół przednich i tylnych.

**⚠ OSTRZEŻENIE:** Górny otwór w płycie osi nie służy do mocowania tylnej osi – ten otwór służy do mocowania hamulca bębnowego.

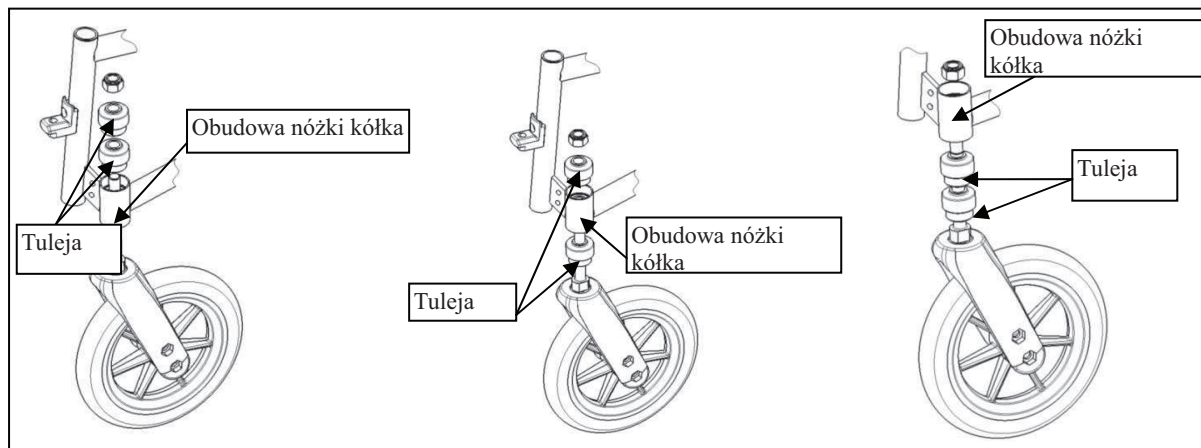
Wysokość siedziska	Tylne koło	Przednie koło
470 mm	Otwór 1	Obie tuleje nad obudową nóżki kółka.
500 mm (Standard)	Otwór 2	Jedna tuleja nad, a druga pod obudową nóżki kółka.
530 mm	Otwór 3	Obie tuleje pod obudową nóżki kółka.

Tabela 2: Wysokości siedziska

Aby zmienić wysokość siedziska:



1. Zdejmij tylne koła (patrz § 2.14).
2. Odkręć tuleje osi tylnych kół od płyty osi.
3. Zamontuj tuleje osi we właściwym otworze w płycie osi, patrz Tabela 2.
4. Upewnij się, że tuleje osi są dobrze umocowane.

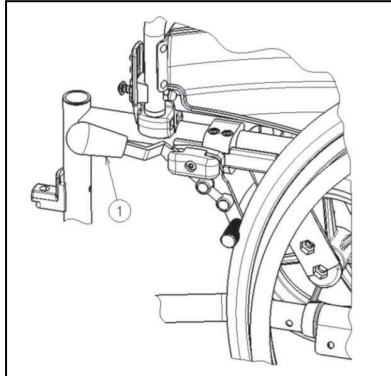


5. Odkręć oski skrętne przednich kół.
6. Rozłóż tuleje zgodnie z Tabelą 2.
7. Zamontuj oski skrętne przednich kół i dokręć je. Sprawdź dokręcenie osiek – muszą się swobodnie obracać, lecz nie może być luzów pozwalających na inne ruchy.
8. Zamontuj tylne koła.
9. Jeśli oski skrętne przednich kół są zamontowane prawidłowo, to będą ułożone prostopadłe do podłoża. Upewnij się, że tak jest.
10. Wyreguluj hamulce zgodnie z § 3.4.

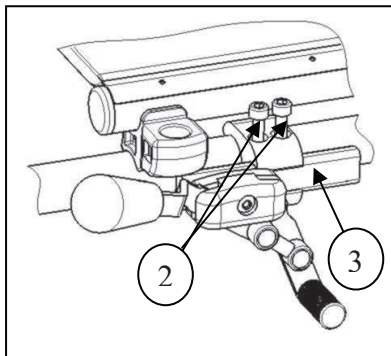
### 3.4 Regulacja hamulców

**⚠ OSTRZEŻENIE:** Ryzyko urazu – regulacji hamulców może dokonywać wyłącznie wyspecjalizowany sprzedawca.

Aby wyregulować hamulce:



1. Zamontuj koła zgodnie z § 2.2.
2. Odłącz hamulce, pociągając dźwignię ① w tył.

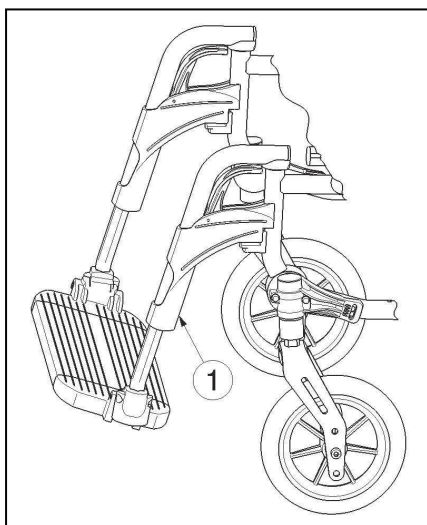


3. Poluzuj śruby ②, aby umożliwić ruch mechanizmu hamulcowego po szynie ③.
4. Przesuń mechanizm hamulcowy na szynie ③ do żądanej pozycji.
5. Dokręć śruby ②.
6. Sprawdź pracę hamulców.
7. W razie potrzeby powtórz powyższe czynności aż do poprawnego wyregulowania hamulców.

### 3.5 Regulacja podnóżka

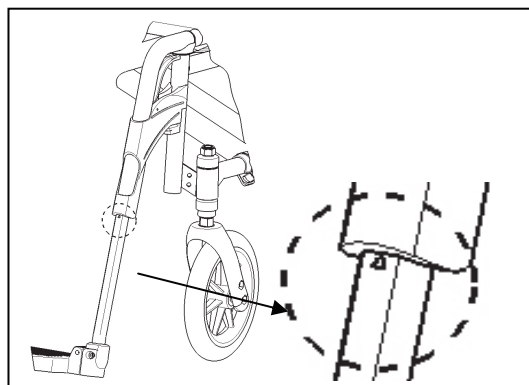
#### 3.5.1 Długość podnóżka

**⚠ UWAGA:** Ryzyko uszkodzenia — należy unikać kontaktu podnóżka z podłożem. Zachowaj minimalny odstęp 60 mm od podłoża.



Aby wyregulować długość podnóżka:

1. Wykręć śrubę ① (na tyle podnóżka).
2. Ustaw wygodną długość podnóżka.
3. Odpowiednio dokręć śrubę ①.



**Maksymalna długość podnóżka jest oznaczona na rurce symbolem trójkąta.**

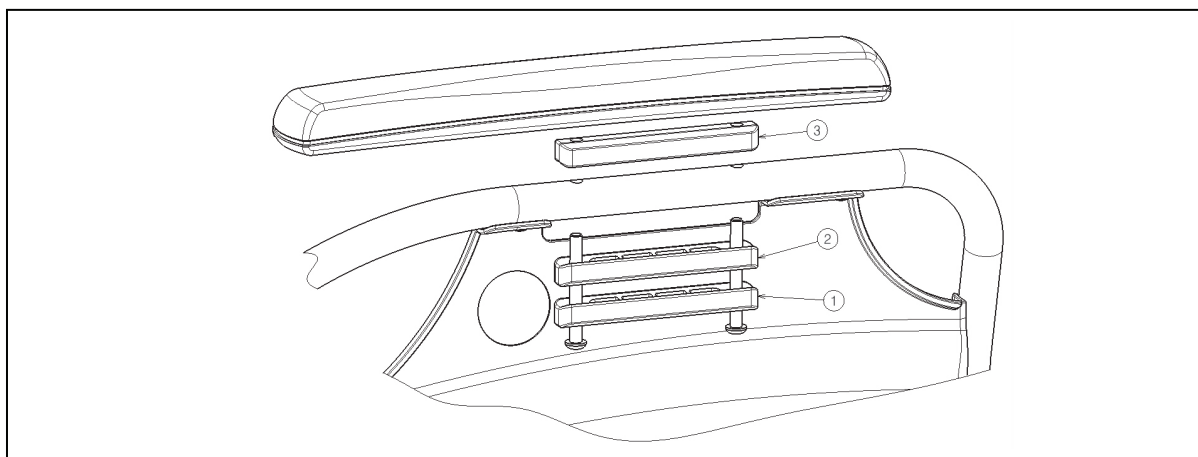


### 3.6 Regulacja podłokietników

Można wyregulować zarówno wysokość, jak i głębokość podłokietników wózka inwalidzkiego. Wysokość podłokietników można ustawić w 3 pozycjach.

Wysokość podłokietnika względem siedziska	Liczba bloczków pod rurką	Liczba bloczków pomiędzy rurką i podłokietnikiem
220 mm (Standard)	2	1
230 mm	1	2
240 mm	0	3

Tabela 3: Wysokość podłokietnika



Głębokość podłokietników można ustawić w 3 pozycjach.

Głębokość podłokietnika	Wykorzystane otwory
Pozycja przednia	Tyłny i środkowy
Pozycja środkowa (Standard)	Otwory 2 i 4
Pozycja tylna	Przedni i środkowy

Tabela 4: Głębokość podłokietnika

Aby wyregulować wysokość i głębokość podłokietników:

1. Wykręć obie śruby pod podłokietnikiem.
2. Umieść odpowiednią liczbę bloczków pod i nad rurkami, patrz Tabela 3.
3. Zamontuj podłokietnik w odpowiednich otworach, aby dostosować głębokość.

## 4 Konserwacja

Szacowana trwałość tego modelu wózka inwalidzkiego wynosi 8 lat. Trwałość wózka inwalidzkiego zależy od sposobu jego użytkowania, przechowywania, regularnej konserwacji, serwisowania i czyszczenia.

### 4.1 Regularna konserwacja

Poniżej opisano czynności konserwacyjne pozwalające dbać o dobry stan wózka inwalidzkiego Vermeiren:

- Przed każdym użyciem:
  - sprawdź i oczyść opony. W razie potrzeby wymień oponę;
  - sprawdź śruby zabezpieczające są dokręcone.
  - sprawdź hamulce i w razie potrzeby wyreguluj;
  - sprawdź stan wózka (czystość, pęknięcia, uszkodzenia części strukturalnych ... ) i oczyść go. W razie potrzeby odnow powłokę ochronną;



- Co 8 tygodni: kontrola i smarowanie lub regulacja
  - podłokietników;
  - podnóżków;
  - dźwigni hamulca;
  - osi kół.
- Co 6 miesięcy lub dla każdego nowego użytkownika:
  - przegląd generalny;
  - dezynfekcja;
  - przednie koła – możliwa konieczność wyczyszczenia łożysk.

Dla wygody z tyłu niniejszej instrukcji obsługi zamieszczono plan konserwacji.

Naprawa i montaż części zapasowych w wózku inwalidzkim mogą być przeprowadzane wyłącznie przez wyspecjalizowanego sprzedawcę.

Montowane mogą być wyłącznie autoryzowane części zapasowe firmy Vermeiren.

## 4.2 Wysyłka i Przechowywanie

Podczas Wysyłki i przechowywania wózka inwalidzkiego należy się stosować do poniższych instrukcji:

- Podnośnik pacjenta powinien być przechowywany wyłącznie w suchych pomieszczeniach (od + 5°C do + 41°C).
- Względna wilgotność powietrza: 30–70%.
- Zapewnić odpowiednie przykrycie lub opakowanie chroniące wózek inwalidzki przed rdzą i ciałami obcymi (np. słoną wodą, morskim powietrzem, piaskiem, pyłem).
- Przechowywać wszystkie wymontowane części razem w jednym miejscu (lub w razie potrzeby oznaczyć je), aby uniknąć pomieszania z częściami innych produktów podczas ponownego montażu.
- Przechowywane elementy muszą być wolne od nacisku (nie umieszczać ciężkich części na wózku, nie wciskać pomiędzy inne obiekty ...).

## 4.3 Pielęgnacja

### 4.3.1 Poduszka siedziska i oparcia

Podczas czyszczenia poduszek należy się stosować do poniższych instrukcji:

- Siedzisko i oparcie należy czyścić szmatką zwilżoną gorącą wodą. Nie należy moczyć poduszek siedzenia i oparcia.
- Do usuwania opornych zabrudzeń używać delikatnych, dostępnych w sprzedaży detergentów.
- Plamy można usunąć gąbką lub delikatną szczotką.
- Nie wolno używać silnych płynów czyszczących, takich jak rozpuszczalniki, ani twardych szczotek.
- Nie wolno nigdy czyścić urządzeniami parowymi lub ciśnieniowymi.

### 4.3.2 Części z tworzyw sztucznych

Części z tworzyw sztucznych wózka inwalidzkiego należy czyścić dostępnymi w sprzedaży środkami czyszczącymi do tworzyw sztucznych. Używać wyłącznie miękkich szczotek lub gąbek.

Przykładem części z tworzyw sztucznych są podłokietniki, podnóżki, uchwyty, opony i ... .

### 4.3.3 Powłoka ochronna

Wysoka jakość warstwy wierzchniej zapewnia optymalną ochronę przed korozją. W przypadku uszkodzenia warstwy wierzchniej poprzez zadrapanie lub w inny sposób należy zlecić wyspecjalizowanemu sprzedawcy naprawę powierzchni.

Podczas czyszczenia używać wyłącznie ciepłej wody i zwykłych detergentów domowych oraz miękkich szczotek i szmatek. Upewnić się, że wilgoć nie przedostaje się do wnętrza rurek.

Początkowo części cynkowane wymagają wyłącznie przetarcia suchą szmatką. Oporne zabrudzenia najlepiej usuwać odpowiednim dostępnym w sprzedaży środkiem do czyszczenia części cynkowanych.

## 4.4 Kontrola

Zwykle zalecane jest dokonanie jednego przeglądu rocznie i co najmniej jednego przed wznowieniem użytkowania. Wszystkie poniższe kontrole muszą zostać przeprowadzone i udokumentowane przez upoważnioną do tego osobę:

- kontrola elementów ramy i rurek na zawiasach pod kątem deformacji tworzywa, pęknięć i ograniczonej funkcjonalności;
- wzrokowa kontrola uszkodzeń powierzchni malowanej (zagrożenie korozją);
- kontrola pracy kół (swobodny obrót, wypoziomowanie, praca osi, opony, profil, stan obręczy, ciśnienie w przypadku ogumienia pompowanego, luzy na osiach itp.);
- kontrola solidności i dokręcenia wszystkich śrub;
- kontrola nasmarowania łącznych metalowych w częściach ruchomych;
- stan i bezpieczeństwo szyn i osi kół skrętnych;
- wzrokowa kontrola części z tworzywa sztucznego pod kątem pęknięć i kruchości;
- kontrola działania podłokietników i podnóżków (blokowanie, obciążenie, odkształcenie, zużycie spowodowane obciążeniem);
- kontrola działania innych części montowanych (np. blokad przeciw wywróceniom, pasa bezpieczeństwa, mocowanych oparć itp.);
- kompletność na potrzeby dostawy, dostępność instrukcji obsługi.

Serwisowanie wolno zatwierdzić w planie konserwacji wyłącznie, jeśli kontrola objęła co najmniej wszystkie z powyższych czynności.

## 4.5 Dezynfekcja

- ⚠ OSTRZEŻENIE:** Produkty niebezpieczne – środki dezynfekujące może stosować wyłącznie upoważniony do tego personel.
- ⚠ OSTRZEŻENIE:** Produkty niebezpieczne, zmiany lub podrażnienia skórne – środki dezynfekujące mogą podrażnić skórę, należy więc nosić odpowiednią odzież ochronną. W tym celu należy także zapoznać się z informacjami na temat stosowanych roztworów.

Wszystkie elementy wózka inwalidzkiego można wyczyścić środkiem dezynfekującym.

Wszystkie czynności dezynfekcji urządzeń rehabilitacyjnych i ich części lub innych części akcesoriów muszą zostać udokumentowane w raporcie z dezynfekcji, który poza dołączoną dokumentacją produktu powinien zawierać co najmniej następujące informacje:

Data przeprowadzenia dezynfekcji	Powód	Specyfikacja	Substancja i stężenie	Podpis
----------------------------------	-------	--------------	-----------------------	--------

Tabela 5: Przykładowy raport z dezynfekcji

Skróty stosowane w kolumnie 2 (powód):

V = Podejrzenie zakażenia      IF = Przypadek zakażenia      W = Powtórzenie      I = Kontrola

Czysty arkusz raportu z dezynfekcji można znaleźć w § 9.

Zalecamy środki dezynfekujące do szorowania (na podstawie listy Instytutu Roberta Kocha – RKI) wymienione w tabeli poniżej. Obecny stan środków dezynfekujących przedstawionych na liście RKI można uzyskać w Instytucie Roberta Kocha (strona główna: [www.rki.de](http://www.rki.de)).

Substancja aktywna	Nazwa produktu	Dezynfekcja w praniu		Dezynfekcja powierzchni (dezynfekcja przez szorowanie/ mycie)		Dezynfekcja wydzielin 1 część płwocin lub stolca + 2 części rozcieńczonego roztworu lub 1 część moczu + 1 część rozcieńczonego roztworu						Obszar skuteczności	Producent lub dostawca
		Rozcieńczony roztwór	Czas do zadziałania	Rozcieńczony roztwór	Czas do zadziałania	Płwocina		Stolec		Mocz			
						%	godz.	%	godz.	%	godz.		
Fenol lub pochodne fenolu	Amocid	1	12	5	6	5	4	5	6	5	2	A	Lysoform
	Gevisol	0,5	12	5	4	5	4	5	6	5	2	A	Schülke & Mayr
	Helipur			6	4	6	4	6	6	6	2	A	B. Braun
	m-tolilowy roztwór mydła (DAB 6)	1	12	5	4							A	
	Fenol	1	12	3	2							A	
Chlor, organiczne lub nieorganiczne substancje zawierające aktywny chlor	Chloramina T DAB 9	1,5	12	2,5	2	5	4					A' B	
	Clorina	1,5	12	2,5	2	5	4					A' B	Lysoform
	Trichlorol	2	12	3	2	6	4					A' B	Lysoform
Mieszanki	Apesin AP100 <sup>2</sup>			4	4							AB	Tana PROFESSIONAL
	Dismozon pur <sup>2</sup>			4	1							AB	Bode Chemie
	Perform <sup>2</sup>			3	4							AB	Schülke & Mayr
	Wofesteril <sup>2</sup>			2	4							AB	Kesla Pharma

Substancja aktywna	Nazwa produktu	Dezynfekcja w praniu		Dezynfekcja powierzchni (dezynfekcja przez szorowanie/ mycie)		Dezynfekcja wydzielin 1 część płwocina lub stolca + 2 części rozcieńczonego roztworu lub 1 część moczu + 1 część rozcieńczonego roztworu						Obszar skuteczności	Producent lub dostawca
						Płwocina		Stolec		Mocz			
		Rozcieńczony roztwór	Czas do zadziałania	Rozcieńczony roztwór	Czas do zadziałania	Rozcieńczony roztwór	Czas do zadziałania	Rozcieńczony roztwór	Czas do zadziałania	Rozcieńczony roztwór	Czas do zadziałania		
		%	godz.	%	godz.	%	godz.	%	godz.	%	godz.		
Formaldehyd i/lub inne aldehydy lub pochodne	Aldasan 2000			4	4							AB	Lysoform
	Antifect FD 10			3	4							AB	Schülke & Mayr
	Antiseptica surface disinfection 7			3	6							AB	Antiseptica
	Apesin AP30			5	4							A	Tana PROFESSIONAL
	Bacillocid special			6	4							AB	Bode Chemie
	Buraton 10F			3	4							AB	Schülke & Mayr
	Desomed A 2000			3	6							AB	Desomed
	Hospital disinfectant cleaner			8	6							AB	Dreiturm
	Desomed Perfekt			7	4							AB*	Desomed
	Roztwór formaldehydu (DAB 10), (formalina)	1,5	12	3	4							AB	
	Incidin Perfekt	1	12	3	4							AB	Ecolab
	Incidin Plus			8	6							A	Ecolab
	Kohrsolin	2	12	3	4							AB	Bode Chemie
	Lysoform	4	12	5	6							AB	Lysoform
	Lysoformin	3	12	5	6							AB	Lysoform
	Lysoformin 2000			4	6							AB	Lysoform
	Melsept	2	12	4	6							AB	B. Braun
	Melsitt	4	12	10	4							AB	B. Braun
	Minutil	2	12	6	4							AB	Ecolab
	Multidor			3	6							AB	Ecolab
	Nüscosept			5	4							AB	Dr. Nüsken Chemie
	Optisept			7	4							AB*	Dr. Schumacher
	Pursept-FD			7	4							AB*	Merz
	Ultrasol F	3	12	5	4							AB	Fresenius Kabi
	Melsitt	4	12	10	4							AB	B. Braun
	Minutil	2	12	6	4							AB	Ecolab
	Multidor			3	6							AB	Ecolab
Nüscosept			5	4							AB	Dr. Nüsken Chemie	
Optisept			7	4							AB*	Dr. Schumacher	
Pursept-FD			7	4							AB*	Merz	
Ultrasol F	3	12	5	4							AB	Fresenius Kabi	
Surfaktanty amfoteryczne (amfotenydy)	Tensodur 103	2	12									A	MFH Marienfelde
Lye	Mleko wapienne <sup>3</sup>							20	6			A <sup>3</sup> B	

1 Nieskuteczny przeciwko prątkom w przypadku dezynfekcji serwisowej, szczególnie w obecności krwi.  
2 Nie nadaje się do dezynfekcji powierzchni zabrudzonych krwią lub powierzchni porowatych (np. surowego drewna).  
3 Bezuszkodliwy w przypadku gruźlicy; przygotowanie mleka wapiennego: 1 część rozpuszczonego wapna (wodorotlenek wapniowy) + 3 części wody.  
\* Sprawdzona skuteczność przeciwko wirusom zgodnie z metodami kontroli RKI (Federal Health Reporting 38 (1995) 242).  
A: Właściwy do zabijania bakterii wegetatywnych, w tym prątków, a także grzybów, wraz z zarodnikami grzybów.  
B: Odpowiedni do unieszkodliwiania wirusów.

Tabela 6: Środki do dezynfekcji

W razie pytań związanych z dezynfekcją należy skontaktować się z wyspecjalizowanym sprzedawcą, który z chęcią udzieli odpowiedzi.

## 5 Gwarancja

Wycinek z „Ogólnych warunków prowadzenia działalności”:

(...)

5. Okres gwarancji obejmujący roszczenia gwarancyjne trwa 24 miesiące. W wyniku szczególnych wymogów jakościowych istnieje możliwość przedłużenia okresu dopuszczalności roszczeń gwarancyjnych poza ustawowy okres podstawowy dla (...)

- rama i zawias krzyżakowy wózka inwalidzkiego

4 lata

Gwarancja nie obejmuje uszkodzeń powstałych na skutek dokonywania zmian strukturalnych produktu, niewystarczającej konserwacji, niewłaściwego użytkowania lub przechowywania lub korzystania z nieoryginalnych części. Gwarancja nie obejmuje również części lub części ruchomych podlegających naturalnemu zużyciu.

(...)

## 6 Utylizacja

Podczas utylizacji wózka inwalidzkiego należy się skontaktować z lokalnym centrum składowania odpadów lub zwrócić produkt wyspecjalizowanemu sprzedawcy, który po poddaniu wózka procedurze czyszczącej może odesłać go do producenta, który z kolei podda produkt odpowiedniej utylizacji i recyklingowi, rozkładając go na materiały składowe.

Materiały pakunkowe można oddać do centrum utylizacji lub recyklingu lub wyspecjalizowanemu sprzedawcy.

## 7 Deklaracja zgodności

*Producent lub jego upoważniony przedstawiciel:*

N.V. VERMEIREN N.V

**Adres:**

Vermeirenplein 1/15  
2920 Kalmthout  
Belgia

*deklaruje na własną odpowiedzialność, że wyroby medyczne ze znakiem CE:*

Produktu: Ręczny wózek inwalidzki  
Marka: Vermeiren  
Typ: V100 XL

*Są sklasyfikowane jako klasa I, zgodnie z MDD 93/42/EEC załączniku IX, zasady 1 i wykonane są w pełnej zgodności z następującymi dyrektywami europejskimi:*

Dyrektywa o wyrobach medycznych MDD 93/42/EEC

*w tym najnowsze zmiany oraz z prawem krajowym, który organizuje te wytyczne.*

*oraz spełnia wymagania zasadnicze określone w:*  
Ustawie o wyrobach medycznych z dnia 20 maja 2010

*Oraz zgodne są z odpowiednimi zharmonizowanymi normami europejskimi:*  
PN-EN 12182:2005, PN-EN 12183:2010

## 8 Plan konserwacji

Data	Konserwacja	Uwagi	Podpis
1/1/2012	Smarowanie i ogólny serwis	brak	

## 9 Raport z dezynfekcji

Data przeprowadzenia dezynfekcji	Powód	Specyfikacja	Substancja i stężenie	Podpis

Skróty stosowane w kolumnie 2 (powód):

V = Podejrzewanie zakażenia

IF = Przypadek zakażenia

W = Powtórzenie

l = Kontrola

## ITALIANO

### GARANZIA CONTRATTUALE

La carrozzina manuali sono garantite 5 anni, la carrozzine ultra leggera 4 anni. Le carrozzine elettroniche, tricicli, letti e altri prodotti: 2 anno contro tutti i difetti di costruzione o di materiale (batterie 6 mesi). Multiposizioni 3 anni. Questa garanzia e' limitata alle sostituzione di parti riconosciute difettose.

### CONDIZIONI

Per far valere la garanzia, e' necessario indirizzarla al vostro distributore di fiducia che presentera' al produttore il tagliando.

### RISERVE

Questa garanzia non potra' essere applicata nei seguenti casi:

- danno dovuto al cattivo ed improprio utilizzo della carrozzina,
- danno subito durante il trasporto,
- incidente o caduta,
- smontaggio, modifica, o riparazione effettuate in proprio,
- usura abituale della carrozzina,
- invio del tagliando di garanzia con la data di acquisto.



**B**

Naam/Nom/Name

Name/Nome

Adres/Adresse/Address

Adresse/Indirizzo

Woonplaats/Domicile/Home

Wohnort/Citta

E-mail

Artikel/Article/Article

Artike/Articolo

Reeks nr./N° de série/Serie nr.

Serien-Nr./No. di serie

Aankoopdatum/Date d'achat/Date of purchase

Kaufdatum/Data di acquisto

Stempel verkoper/Timbre du vendeur

Dealer stamp/Händlerstempel

Timbro del rivenditore

# VERMEIREN



**WAARBORG  
GARANTIE  
WARRANTY  
GARANTIE  
GARANZIA**

N.V. VERMEIREN N.V. Tel.: 00 32 (0)3 620 20 20  
VERMEIRENPLEIN 1-15 Fax: 00 32 (0)3 666 48 94  
B-2920 Kalmthout www.vermeiren.com

**A**

Naam/Nom/Name

Name/Nome

Adres/Adresse/Address

Adresse/Indirizzo

Woonplaats/Domicile/Home

Wohnort/Citta

E-mail

Artikel/Article/Article

Artike/Articolo

Reeks nr./N° de série/Serie nr.

Serien-Nr./No. di serie

Aankoopdatum/Date d'achat/Date of purchase

Kaufdatum/Data di acquisto

Stempel verkoper/Timbre du vendeur

Dealer stamp/Händlerstempel

Timbro del rivenditore



## NEDERLANDS

### CONTRACTUELE GARANTIE

Op de manuele rolstoelen geven wij 5 jaar, lichtgewicht rolstoelen 4 jaar. Op de elektronische rolstoelen, driewielers, bedden en andere producten : 2 jaar waarbij op constructie - of materiaalhouren (batterijen 6 maanden). Op multiposite rolstoelen geven we 3 jaar waarbij. Deze garantie is uitdrukkelijk beperkt tot de vervanging van defecte stukken of onderdelen.

### TOEPASSINGSVOORWAARDEN

Om aanspraak te kunnen maken op de waarborg, bezorgt u het garantiecertificaat dat u heeft, bewaard, aan uw Vermeiren dealer. De waarborg is enkel geldig in de zetel van de onderneming.

### UITZONDERINGEN

Deze garantie is niet van toepassing in geval van:

- schade te wijten aan het verkeerd gebruik van de rolstoel,
- beschadiging tijdens het transport,
- een val of een ongeval
- een demontage, wijziging of herstelling uitgevoerd buiten onze firma,
- normale slijtage van de rolstoel,
- niet inzenden van de garantiestrook.

## FRANCAIS

### GARANTIE CONTRACTUELLE

Les fauteuils manuels standard sont garantis 5 ans, les fauteuils ultra légers 4 ans. Les fauteuils électroniques, tricycles, lits et autres produits: 2 ans contre tous vices de construction ou de matériaux (batteries 6 mois). Fauteuils multiposition 3 ans. Cette garantie est expressément limitée au remplacement des éléments ou pièces détachées reconnues défectueuses.

### CONDITIONS D'APPLICATION

Pour prétendre à cette garantie, il faut présenter le certificat de garantie que vous avez conservé à votre distributeur Vermeiren. La garantie est uniquement valable au siège de la société.

### RESERVES

Cette garantie ne pourra être appliquée en cas de:

- dommage dû à la mauvaise utilisation du fauteuil,
- endommagement pendant le transport,
- accident ou chute,
- démontage, modification ou réparation fait en dehors de notre société,
- usure normale du fauteuil,
- non retour du coupon de garantie.

## ENGLISH

### CONTRACTUAL WARRANTY

We offer 5 years of warranty on standard wheelchairs, lightweight wheelchairs 4 years. Electronic wheelchairs, tricycles, beds and other products: 2 years (batteries 6 months) and multiposition wheelchairs 3 years. This warranty is limited to the replacement of defective or spare parts.

### APPLICATION CONDITIONS

In order to claim this warranty, part "B" of this card has to be given to your official Vermeiren dealer. The warranty is only valid when parts are replaced by Vermeiren in Belgium.

### EXCEPTIONS

This warranty is not valid in case of:

- damage due to incorrect usage of the wheelchair,
- damage during transport,
- involvement in an accident,
- a dismount, modification or repair carried outside of our company and/or official Vermeiren dealership,
- normal wear of the wheelchair,
- non-return of the warranty card

## DEUTSCH

### GARANTIEERKLÄRUNG

Wir garantieren, dass für unsere Rollstühle hochwertige Produkte verwendet werden, die in sorgfältiger Verarbeitung nach dem neuesten Stand der Technik montiert werden. Bevor Ihr Rollstuhl unser Werk verlassen hat, wurde er einer eingehenden Endkontrolle unterzogen, um auch letzte, eventuell vorhandene Mängel aufzuspüren.

Auf Standardrollstühle gewähren wir eine Garantie von 5 Jahren, auf Leichtgewichtrollstühle 4 Jahre, auf elektronische Rollstühle, Dreiräder, Betten und andere Produkte: 2 Jahre (Batterien 6 Monate), auf Multifunktionsrollstühle 3 Jahre.

In dieser Garantie eingeschlossen sind alle Mängel, die auf einen Produkt- oder Verarbeitungsfehler zurückzuführen sind. Dieser Garantie unterliegen keine Schäden aus unsachgemäßer Benutzung. Ebenfalls sind Verschleißteile von der Garantie ausgenommen.

Sollte einmal der Fall eingetreten sein, dass Sie aus berechtigtem Grunde mit Ihrem Rollstuhl unzufrieden sind, so wenden Sie sich bitte unverzüglich an Ihren Fachhändler. Er wird sich in enger Zusammenarbeit mit uns darum bemühen, eine für Sie zufriedenstellende Lösung zu finden.

## A

- terugsturen binnen de 8 dagen na aankoop of registreer uw product via onze website, <https://www.vermeiren.be/registration>
- à renvoyer dans les 8 jours après achat ou régistrier votre produit sur notre site, <https://www.vermeiren.be/registration>
- please return within 8 days of date of purchase or register your product at our website, <https://www.vermeiren.be/registration>
- zurückschicken innerhalb von 8 Tagen nach kauf oder registrieren Sie Ihr Produkt auf unserer website, <https://www.vermeiren.be/registration>
- da restituire entro 8 giorni dalla data di acquisto o regisiri il vostro prodotto al nostro web site, <https://www.vermeiren.be/registration>

## B

- in geval van herstelling, kaart "B" bijvoegen.
- en cas de réparation, veuillez ajouter la carte "B".
- in case of repair, please add part "B".
- im Falle einer Reparatur, Karte "B" beifügen
- in case di riparazione, ripregheteci la carta "B".

N.V. VERMEIREN N.V.  
Vermeirenplein 1/15  
B-2920 Kalmthout  
BELGIUM





## SERVICE

The wheelchair was serviced:  
Le fauteuil roulant a été contrôlé:  
De rolstoel is gecontroleerd:

Das Rollstuhl wurde überprüft:  
La carrozzina è stat ispezionata:  
La silla de ruedas ha sido revisada por:  
Z wózek inwalidzki był serwisowany:

Dealer's stamp • Cachet du revendeur • Stempel van de handelaar  
Händlerstempel • Timbro del rivenditore • Sello del distribuidor •  
Dealerzy pieczęć:

Date • Datum • Data • Fecha:

Dealer's stamp • Cachet du revendeur • Stempel van de handelaar  
Händlerstempel • Timbro del rivenditore • Sello del distribuidor •  
Dealerzy pieczęć:

Date • Datum • Data • Fecha:

Dealer's stamp • Cachet du revendeur • Stempel van de handelaar  
Händlerstempel • Timbro del rivenditore • Sello del distribuidor •  
Dealerzy pieczęć:

Date • Datum • Data • Fecha:

Dealer's stamp • Cachet du revendeur • Stempel van de handelaar  
Händlerstempel • Timbro del rivenditore • Sello del distribuidor •  
Dealerzy pieczęć:

Date • Datum • Data • Fecha:

Dealer's stamp • Cachet du revendeur • Stempel van de handelaar  
Händlerstempel • Timbro del rivenditore • Sello del distribuidor •  
Dealerzy pieczęć:

Date • Datum • Data • Fecha:

Dealer's stamp • Cachet du revendeur • Stempel van de handelaar  
Händlerstempel • Timbro del rivenditore • Sello del distribuidor •  
Dealerzy pieczęć:

Date • Datum • Data • Fecha:

Dealer's stamp • Cachet du revendeur • Stempel van de handelaar  
Händlerstempel • Timbro del rivenditore • Sello del distribuidor •  
Dealerzy pieczęć:

Date • Datum • Data • Fecha:

Dealer's stamp • Cachet du revendeur • Stempel van de handelaar  
Händlerstempel • Timbro del rivenditore • Sello del distribuidor •  
Dealerzy pieczęć:

Date • Datum • Data • Fecha:

Dealer's stamp • Cachet du revendeur • Stempel van de handelaar  
Händlerstempel • Timbro del rivenditore • Sello del distribuidor •  
Dealerzy pieczęć:

Date • Datum • Data • Fecha:

Dealer's stamp • Cachet du revendeur • Stempel van de handelaar  
Händlerstempel • Timbro del rivenditore • Sello del distribuidor •  
Dealerzy pieczęć:

Date • Datum • Data • Fecha:

- For service checklists an additional technical information, please see our specialist dealers nearest to you. More information on our website at: [www.vermeiren.com](http://www.vermeiren.com).
- Les listes des contrôles à effectuer lors des entretiens de même que toute autre information technique sont disponibles auprès de nos filiales. Pour de plus amples informations, consultez le site: [www.vermeiren.fr](http://www.vermeiren.fr).
- Servicelijsten en andere technische informatie kunt u aanvragen bij onze vestigingen. Meer informatie vindt u ook op: [www.vermeiren.be](http://www.vermeiren.be).
- Servicechecklisten und weitere technische Informationen erhalten Sie über unsere Niederlassungen. Informationen unter: [www.vermeiren.de](http://www.vermeiren.de), [www.vermeiren.at](http://www.vermeiren.at), [www.vermeiren.ch](http://www.vermeiren.ch).
- Gli elenchi di controllo di manutenzione e ulteriori informazioni tecniche sono disponibili presso le nostre filiali. Per informazioni consultare il sito: [www.vermeiren.com](http://www.vermeiren.com).
- Para un servicio de revisión o información técnica adicional, por favor, consulte a nuestros distribuidores especialistas más cercanos. Más información en nuestra página web: [www.vermeiren.com](http://www.vermeiren.com).
- Po dodatkowe informacje techniczne oraz listę części zamiennych proszę się kontaktować z naszym wyspecjalizowanymi dystrybutorami w pobliżu miejsca zamieszkania. Więcej informacji na naszej stronie [www.vermeiren.pl](http://www.vermeiren.pl).

## Belgium

### N.V. Vermeiren N.V.

Vermeirenplein 1 / 15  
B-2920 Kalmthout  
Tel: +32(0)3 620 20 20  
Fax: +32(0)3 666 48 94  
website: [www.vermeiren.be](http://www.vermeiren.be)  
e-mail: [info@vermeiren.be](mailto:info@vermeiren.be)

## France

### Vermeiren France S.A.

Z. I., 5, Rue d'Ennevelin  
F-59710 Avelin  
Tel: +33(0)3 28 55 07 98  
Fax: +33(0)3 20 90 28 89  
website: [www.vermeiren.fr](http://www.vermeiren.fr)  
e-mail: [info@vermeiren.fr](mailto:info@vermeiren.fr)

## Italy

### Reatime S.R.L.

Viale delle Industrie 5  
I-20020 Arese MI  
Tel: +39 02 99 77 07  
Fax: +39 02 93 58 56 17  
website: [www.reatime.it](http://www.reatime.it)  
e-mail: [info@reatime.it](mailto:info@reatime.it)

## Poland

### Vermeiren Polska Sp. z o.o

ul. Łączna 1  
PL-55-100 Trzebnica  
Tel: +48(0)71 387 42 00  
Fax: +48(0)71 387 05 74  
website: [www.vermeiren.pl](http://www.vermeiren.pl)  
e-mail: [info@vermeiren.pl](mailto:info@vermeiren.pl)

## Spain

### Vermeiren Iberica, S.L.

Trens Petits, 6. - Pol. Ind. Mas Xirgu.  
17005 Girona  
Tel: +34 902 48 72 72  
Fax: +34 972 40 50 54  
website: [www.vermeiren.es](http://www.vermeiren.es)  
e-mail: [info@vermeiren.es](mailto:info@vermeiren.es)

## Germany

### Vermeiren Deutschland GmbH

Wahlerstraße 12 a  
D-40472 Düsseldorf  
Tel: +49(0)211 94 27 90  
Fax: +49(0)211 65 36 00  
website: [www.vermeiren.de](http://www.vermeiren.de)  
e-mail: [info@vermeiren.de](mailto:info@vermeiren.de)

## Austria

### L. Vermeiren Ges. mbH

Winetzhammerstraße 10  
A-4030 Linz  
Tel: +43(0)732 37 13 66  
Fax: +43(0)732 37 13 69  
website: [www.vermeiren.at](http://www.vermeiren.at)  
e-mail: [info@vermeiren.at](mailto:info@vermeiren.at)

## Switzerland

### Vermeiren Suisse S.A.

Hühnerhubelstraße 59  
CH-3123 Belp  
Tel: +41(0)31 818 40 95  
Fax: +41(0)31 818 40 98  
website: [www.vermeiren.ch](http://www.vermeiren.ch)  
e-mail: [info@vermeiren.ch](mailto:info@vermeiren.ch)

## The Netherlands

### Vermeiren Nederland B.V.

Domstraat 50  
NL-3864 PR Nijkerkerveen  
Tel: +31(0)33 2536424  
Fax: +31(0)33 2536517  
website: [www.vermeiren.com](http://www.vermeiren.com)  
e-mail: [info@vermeiren.be](mailto:info@vermeiren.be)

## Czech Republic

### Vermeiren ČR S.R.O.

Sezemická 2757/2 - VGP Park  
193 00 Praha 9 - Horní Počernice  
Tel: +420 731 653 639  
Fax: +420 596 121 976  
website: [www.vermeiren.cz](http://www.vermeiren.cz)  
e-mail: [info@vermeiren.cz](mailto:info@vermeiren.cz)